



EUH4000R

## Workspace Forced Air Heater

### Installation Instructions and Operator's Manual

**WARNING! IF THE INFORMATION IN THIS MANUAL IS NOT FOLLOWED EXACTLY, A FIRE MAY RESULT CAUSING PROPERTY DAMAGE, PERSONAL INJURY OR LOSS OF LIFE.**



Intertek

Made in China

Comfort Home Products, Inc.  
12256 William Penn Hwy, Ste A  
Huntingdon, PA 16652

DURA HEAT PHONE NUMBER: (800) 776-9425  
<http://www.worldmktng.com>

**FOR YOUR SAFETY**  
**DO NOT STORE**  
**OR USE GASOLINE OR**  
**OTHER FLAMMABLE VAPORS**  
**OR LIQUIDS**  
**IN THE VICINITY OF THIS OR**  
**ANY OTHER APPLIANCE**



**CALIFORNIA RESIDENTS ONLY-WARNING:**

This product contains chemicals including di(2-ethylhexyl)phthalate (DEHP), which is known to the State of California to cause cancer and reproductive harm. For more information, go to: [www.P65Warnings.ca.gov](http://www.P65Warnings.ca.gov)

UL 2021. FIXED AND LOCATION –DEDICATED ELECTRIC ROOM HEATERS

**DO NOT DISCARD THIS MANUAL**  
**CUSTOMER: PLEASE RETAIN THIS MANUAL FOR FUTURE USE**

# IMPORTANT INSTRUCTIONS

**PLEASE READ AND SAVE THESE IMPORTANT SAFETY INSTRUCTIONS** when using electrical appliances, basic precautions should always be followed to reduce the risk of fire, electrical shock, and injury to persons, including the following:

1. Read all instructions before using this heater.
2. This heater is hot when in use. To avoid burns, do not let bare skin touch hot surfaces. If provided, use handles when moving this heater. Keep combustible materials, such as furniture, pillows, bedding, papers, clothes and curtains at least 3 feet (0.9m) from the heater.
3. Extreme caution is necessary when any heater is used by or near children, pets or invalids and whenever the heater is left operating unattended.
4. Always unplug heater when not in use.
5. Do not operate any heater with a damaged cord or plug or after the heater malfunctions, has been dropped or damaged in any manner.
6. Any repairs to this appliance should be carried out by a qualified service person.
7. Under no circumstances should this appliance be modified. Parts having to be removed for servicing must be replaced prior to operating this appliance again.
8. Do not use outdoors.
9. Use your heater only in dry environments. This heater is not intended for use in bathrooms, laundry areas and similar indoor locations. Never locate the heater where it may fall into a bathtub or other water container. Do not use your heater outdoors. Do not use near sinks, swimming pools or other damp areas such as flooded basements, garages, etc or anyplace where the heater could come in contact with water.
10. Do not run cord under carpeting. Do not cover cord with throw rugs, runners, or similar coverings. Arrange cord away from traffic area and where it will not be tripped over.
11. To disconnect heater, first turn controls to off, then remove plug from outlet. Always unplug the heater when not in use.
12. Connect to a properly grounded outlets only.
13. Do not insert or allow foreign objects to enter any ventilation or exhaust opening as this may cause an electrical shock or fire, or damage the heater.
14. To prevent a possible fire, do not block air intakes or exhaust in any manner. Do not use on soft surfaces, like a bed, where openings may become blocked.
15. This appliance has hot and arcing or sparking parts inside. Do not use it in areas where gasoline, paint or flammable liquids are used or stored.
16. Use this heater only as described in this manual. Any other use not recommended by the manufacturer may cause fire, electric shock, or injury to persons.
17. Avoid the use of an extension cord because the extension cord may overheat and cause a risk of fire. However, if you have to use an extension cord, the cord shall be No. 14 AWG minimum size and rated not less than 4700 watts.
18. This heater may include an audible (a visual) alarm to warn that parts of the heater are getting excessively hot. If the alarm sounds (flashes), immediately turn the heater off and inspect for any objects on or adjacent to the heater that may cause high temperatures. **DO NOT OPERATE THE HEATER WITH THE ALARM SOUNDING (FLASHING).**
19. **“SAVE THESE INSTRUCTIONS”**

## **ALWAYS OBSERVE THESE SAFETY PRECAUTIONS WHEN OPERATING YOUR ELECTRIC HEATER**

- ALWAYS** Read all instructions before operating.
- ALWAYS** Locate your electric heater away from furniture or loose hanging drapes.
- ALWAYS** Keep the rear grill away from walls or drapes so as not to block the air intake. (If applicable)
- ALWAYS** Unplug electric heater when not in use.
- ALWAYS** Use electric heater on a flat dry surface.
- ALWAYS** Use on 208-240 volt 60Hz AC power supply.
- ALWAYS** Route the cord so it will not be walked on tripped over or pinched by furniture.
- ALWAYS** Keep electrical cords, drapes and other furnishings away from your electric heater.
- ALWAYS** Keep your electric heater clean and the filter free of dust. (If applicable)
- ALWAYS** Use indoors only.
  
- NEVER** Place drapes, clothing or towels over electric heater to dry.
- NEVER** Use in the presence of explosive or flammable vapors such as gas or paint.
- NEVER** Plug another electrical appliance into the same circuit. Blown fuses, tripped circuits and fire hazards may result.
- NEVER** Use water or liquids to clean your electric heater.
- NEVER** Let bare skin touch hot surfaces as this may cause burns.
- NEVER** Leave electric heater unattended.
- NEVER** Leave electric heater when children or pets are present.
- NEVER** Locate electric heater where it may fall into a bath tub or other water containers.
- NEVER** Operate electric heater with a damaged cord, plug or after the heater malfunctions, or has been dropped or damaged in any manner.
- NEVER** Run cord under carpeting or cover with throw rugs or runners.
- NEVER** Insert or allow foreign objects to enter any ventilation or exhaust openings, as this may cause an electrical shock, fire or damage.

**Warning: Prior to operating, make sure the electrical outlet is of the configuration and capacity appropriate for the heater.**



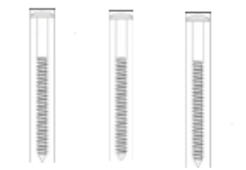
**DANGER**

**ELECTRIC SHOCK OR FIRE HAZARD**

READ ALL WIRE SIZING, VOLTAGE REQUIREMENTS, AND SAFETY DATA TO AVOID PROPERTY DAMAGE AND PERSONAL INJURY

MINIMUM CLEARANCE FROM COMBUSTIBLES	
FRONT	<b>3 Feet</b>
TOP	<b>1 Foot</b>
SIDES	<b>1 Foot</b>
REAR	<b>1 Foot</b>

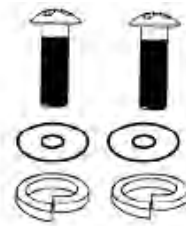
**WHAT'S IN THE BOX**



65 mm Screws (3)



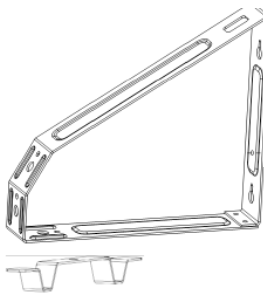
20mm Screw (1)  
Lock Washer (1)  
10 mm Washer (1)  
10 mm Nut (1)



16 mm Screws (2)  
5 mm Washers (2)  
Lock Washers (2)



M10 mm Screw (1)  
5mm Nut (1)



Wall/Ceiling Bracket (1)  
Handle (1)



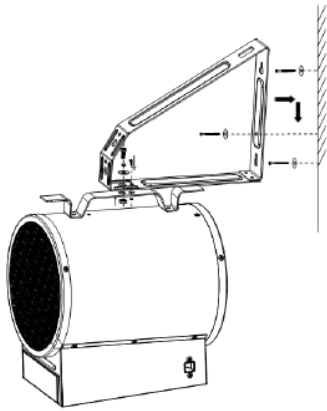
Remote



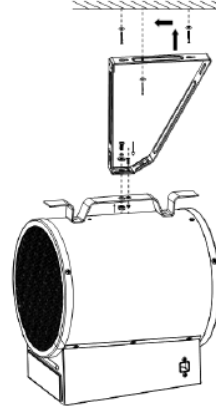
## ASSEMBLY / INSTALLATION INSTRUCTIONS



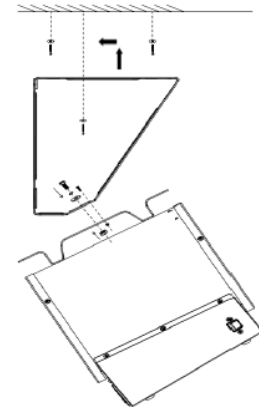
**WARNING: USE THIS HEATER ONLY AS DESCRIBED IN THIS MANUAL. ANY OTHER USE NOT RECOMMENDED BY THE MANUFACTURER IS STRICTLY PROHIBITED AND MAY CAUSE FIRE, ELECTRIC SHOCK, OR INJURY TO PERSONS**



**WALL MOUNT APPLICATION**



**CEILING MOUNT APPLICATION**



Tools needed:

- Power drill
- 4mm or 5/32in drill bit
- Phillips head screwdriver
- Stud Finder

Remove Heater and all packing material from the box

- BE SURE TO REMOVE THE HARDWARE PACKAGE FROM THE STYROFOAM PACKAGING

### Attaching Heater to Wall/Ceiling

1. Line up both holes on bracket with both holes on the heater handle.
2. Attach heater to bracket with 20mm screw and nut, 10mm washer and locking washer.
3. Locate wood stud in wall or joist in ceiling to mount heater.
4. Use holes in bracket to mark 2 holes for drilling.
5. Pre-Drill 2 holes for screws
6. Secure two 65mm screws to wall / ceiling joist leaving 1/8" exposed. Two (2) screws must be attached securely to a wood stud (min 1.5")
7. Attach bracket to exposed screw head by sliding through keyholes on bracket and pushing down to lock the bracket into place.
8. Tighten screws against bracket to secure.



**WARNING: HEATER MUST BE ATTACHED TO A JOIST WITH MINIMUM OF (2) SCREWS IN OPPOSING HOLES.**



**WARNING: USE APPROPRIATE FASTENERS. THE SCREWS INCLUDED ARE FOR INSTALLING IN WOOD STUDS ONLY AND ARE NOT INTENDED FOR METAL JOISTS.**



**WARNING: BE CERTAIN ADJUSTMENT SCREWS ARE TIGHTENED FIRMLY TO SECURE HEATER TO BRACKET**

## “SAVE THESE INSTRUCTIONS”



**IMPORTANT:** Read all instructions and warnings carefully before installation and use. Failure to follow these instructions may result in a possible electric shock, injury to persons, fire hazard and will void the warranty



### OPERATING INSTRUCTIONS

**Note:** When using the heater for the first time, you may notice a slight emission of smoke. This is normal and will stop after a short time. The heating element is made of steel and was coated with a layer of protective oil during production.

Usage on outlets above 220 volts may cause a slight whistling sound due to the higher fan speed. This results from the voltage supply. This is normal and is not affecting the operation of the heater. This is not a defect.

1. Attach heater to wall or ceiling as noted in instructions.
2. Connect the fan heater to the proper electrical power. See grounding instructions. Power indicator light will illuminate
3. Press red power button. Display panel will flash five (5) times then display the room temperature.
4. To increase or decrease the set temperature press the Green mode button on the control panel or remote control two (2) times then select the UP/Down arrows to increase or decrease the set temperature.
5. To set the timer functions press the Green mode button on the control panel or remote control three (3) times. Digital display turns set temperature readout to time value for the timer OH. Press the timer UP/Down arrows the value will vary from 0 hour to 9 hour duration (in 1 hour intervals).



**Electrical outlet wiring must comply with local building codes and other applicable regulations to reduce the risk of fire, electrical shock and injury to persons.**

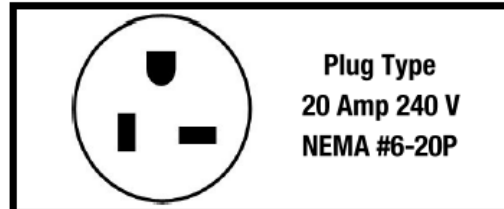


**Do not use this appliance if any part of it has been underwater. Immediately call a qualified service technician to inspect the appliance and replace any part of the electrical system which has been under water.**



## Grounding Instructions:

This heater is for use on 240 (208) volt circuits. The cord has a plug as shown below. The type of outlet a 240 (208) volt grounding outlet. When properly installed It provides a ground connection through the cord to the heater to prevent the operator from electric shock.



Be sure that the electrical receptacle is of the configuration and capacity appropriate for the heater.

## Automatic Overheat Safety Control

- This heater is equipped with an internal heat limiting thermostat and overheat protection circuit. When a potential overheat temperature is reached, the system will automatically shut the heater off.
- **IF SAFETY LIMIT LIGHT ILLUMINATES** an abnormal condition has turned off the heating elements. **TO RESET WAIT 10 MINUTES** to allow the heater to cool down, the heater will automatically reset once the heating element cools down.



**CAUTION:**  
**RISK OF ELECTRIC SHOCK**  
**DO NOT OPEN**  
**NO SERVICEABLE PARTS INSIDE**



## Cleaning and Maintenance

**Any electrical repairs or rewiring of this unit should be carried out by a licensed electrician and in accordance with national and local codes.**

- Before cleaning the appliance, disconnect it from the power outlet and let it cool down.
- In order to protect the enclosure, don't splash water onto the heater, and never use a solvent like gasoline, isoamyl acetate, toluene, etc. to clean the heater. **DO NOT** open the heater or attempt to clean the inside of this appliance.

**SPECIFICATIONS** (All specifications +5% / -10% tolerance)

Model	EUH4000
BTU's per/Hour	12,8000
Watts	3,7500
Power Volts	240
Amps	20
Plug Type	Nema 6-20P
Heating Area	500

**TROUBLESHOOTING**

<b>PROBLEM</b>	<b>CAUSE</b>	<b>SOLUTION</b>
Heating element does not glow red	Stainless steel elements won't glow red to produce heat.	Heater is operating correctly
Do not feel heat or air flow	No power to heater	Check power connection to heater
	Desired room temperature reached.	Thermostat will shut off heater once desired room temperature is reached.
	Auto-Reset has tripped	Unplug heater allow to cool down for 10 minutes, then restart.
	Heater has fan only setting.	Set to run on full power for heating.
Fan running with no heat	Heater in cool down cycle	This is normal to disperse heat throughout the area. Turn thermostat up if additional heat is desired,



# **PORTABLE ELECTRIC HEATER WARRANTY**

## **LIMITED WARRANTY:**

A limited warranty is extended to the original purchaser of this heater and warrants against malfunction due to manufacturing defects for a period of (1) one year from the date of retail purchase. Please read and follow all details noted below.

## **CLAIMS HANDLED AS FOLLOWS:**

### **1. WITHIN 30 DAYS OF PURCHASE:**

Return to the place of purchase.

### **2. AFTER 30 DAYS AND WITHIN THE 1 YEAR WARRANTY PERIOD:**

Contact our Customer Service Department at 1-800-776-9425.

You must have the model number, serial number and date of purchase. They will provide you with further instructions, which will include repair or replacement at our option.

**CALL 1-800-776-9425 FOR SERVICE (9AM-5PM MON.-FRI.)**

**or EMAIL US AT [techsupport@worldmktg.com](mailto:techsupport@worldmktg.com)**

## **DUTIES OF THE OWNER:**

This heating appliance must be operated in accordance with the written instructions furnished with this heater. This warranty shall not excuse the owner from properly maintaining this heater in accordance with the written instructions furnished with this heater. A bill of sale, cancelled check or payment record must be kept to verify purchase date and establish warranty period. Original carton should be kept in case of warranty return of unit.

## **WHAT IS NOT COVERED:**

1. Damage caused by misuse or use contrary to the owner's manual and safety guidelines.
2. Damage caused by a lack of normal maintenance.
3. Repair by an unauthorized person.
4. Damage caused by connection to an improper voltage.
5. Damaged caused by use outdoors.

**LIMITATIONS:**

This warranty does not imply or assume any responsibility for consequential damages that may result from the use, misuse, or the lack of routine maintenance of this heating appliance. A cleaning fee and the cost of parts may be charged for appliance failures resulting from lack of maintenance. This warranty does not cover claims, which do not involve defective workmanship or materials. FAILURE TO PERFORM GENERAL MAINTENANCE (INCLUDING CLEANING) WILL VOID THIS WARRANTY.

THIS LIMITED WARRANTY IS GIVEN TO THE PURCHASER IN LIEU OF ALL OTHER WARRANTIES, EXPRESSED OR IMPLIED, INCLUDING BUT NOT LIMITED TO THE WARRANTIES OF MERCHANTABILITY OF FITNESS FOR A PARTICULAR PURPOSE. THE REMEDY PROVIDED IN THIS WARRANTY IS EXCLUSIVE AND IS GRANTED IN LIEU OF ALL OTHER REMEDIES. IN NO EVENT WILL WORLD MARKETING OF AMERICA BE LIABLE FOR INCIDENTAL OR CONSEQUENTIAL DAMAGES.

Some states do not allow limitations on how long an implied warranty lasts, so the above limitation may not apply to you. Some states do not allow the exclusion or limitation of incidental or consequential damages so the above limitation or exclusion may not apply to you.

**For your record, staple your sales receipt to this manual and record the following**

**DATE OF PURCHASE:** \_\_\_\_\_

**PLACE OF PURCHASE:** \_\_\_\_\_

**SERIAL NUMBER:** \_\_\_\_\_

**MODEL NUMBER:** \_\_\_\_\_

Printed in China

© 2018 Comfort Home Products, Inc. All rights reserved



EUH4000 EUH5000

## Espacio de trabajo forzado calentador de aire

### Instrucciones de instalación y el Manual de Propietario

**¡ADVERTENCIA! SI LA INFORMACION EN ESTE MANUAL no ES SEGUIDA EXACTAMENTE, UN RESULTADO del FUEGO mayo que CAUSA DAÑO de PROPIEDAD, HERIDA O PERDIDA PERSONALES DE la VIDA.**



Hencho in China

Comfort Home Products, Inc.  
12256 William Penn Hwy, Ste A  
Huntingdon, PA 16652

DURA HEAT PHONE NUMBER: (800) 776-9425  
<http://www.worldmkting.com>

#### **PARA SU SEGURIDAD**

No ALMACENE ni UTILICE  
GASOLINA ni OTROS  
VAPORES de FLAMABLE ni  
los LIQUIDOS EN LA  
VECINDAD DE ESTE  
niCUALQUIER OTRO  
APARATO



#### **ADVERTENCIA SOLO PARA RESIDENTES DE CALIFORNIA:**

Este producto contiene elementos químicos que incluyen di(2-etilhexil) ftalato (DEHP), el cual es conocido en el estado de California por provocar cáncer y daños en el sistema reproductivo. Para más información, vaya a: [www.P65Warnings.ca.gov](http://www.P65Warnings.ca.gov)

UL 2021. FIXED AND LOCATION –DEDICATED ELECTRIC ROOM HEATERS

**No DESECHE ESTE MANUAL - HOJA PARA el PROPIETARIO  
CLIENTE: RETENGA POR FAVOR ESTE MANUAL PARA FUTURO USO**

## INSTRUCCIONES IMPORTANTES

**S'IL VOUS PLAÎT LIRE ET CONSERVER CES CONSIGNES DE SÉCURITÉ IMPORTANTES** Lorsque vous utilisez des appareils électriques, des précautions de base doivent toujours être suivies pour réduire le risque d'incendie, de choc électrique et de blessures corporelles, y compris ce qui suit:

1 Lisez toutes les instructions avant d'utiliser cet appareil.

2 Cet appareil devient chaud lors de l'utilisation. Pour éviter les brûlures, ne laissez pas la peau nue toucher les surfaces chaudes. Si, utiliser les poignées pour déplacer l'appareil. Gardez les matériaux combustibles, tels que les meubles, les oreillers, la literie, papiers, vêtements et rideaux au moins 3 pieds (0,9 m) de l'appareil de chauffage.

3 Une extrême prudence est nécessaire lorsque tout appareil de chauffage est utilisé par ou près des enfants, des animaux ou des personnes handicapées et à chaque fois que l'appareil est laissé sans surveillance d'exploitation.

4. Toujours débrancher chauffe lorsqu'il n'est pas utilisé.

5 Ne pas utiliser un appareil de chauffage avec un cordon ou une fiche détériorés, après un mauvais fonctionnement de chauffage, a été échappé ou endommagé de quelque manière.

6. Toute réparation de cet appareil doivent être effectuées par un technicien qualifié.

7 En aucun cas, modifier cet appareil. Pièces devant être retiré pour l'entretien doit être réinstallé avant d'utiliser à nouveau l'appareil.

8 Ne pas utiliser à l'extérieur.

9 Utilisez votre chauffe uniquement dans des environnements secs. Cet appareil n'est pas conçu pour une utilisation dans les salles de bains, les buanderies et les endroits semblables. Ne jamais placer le radiateur là où il pourrait tomber dans une baignoire ou un autre contenant de l'eau. Ne pas utiliser votre appareil de chauffage à l'extérieur. Ne pas utiliser près des éviers, des piscines ou d'autres zones humides comme les sous-sols inondés, des garages, etc ou n'importe où où le chauffe-eau pourrait entrer en contact avec de l'eau.

10 Ne pas passer le cordon sous un tapis. Ne pas couvrir le cordon avec des carpettes, les coureurs, ou revêtements similaires. Éloigner le cordon des endroits passants et où il ne sera pas trébucher.

11 Pour débrancher l'appareil, le premier tour de contrôles hors tension, puis retirez la fiche de la prise. Toujours débrancher l'appareil lorsqu'il n'est pas utilisé.

Connectez-vous à 12 seulement des prises correctement mise à la terre.

13 Ne pas introduire de corps étrangers dans les orifices de ventilation ou d'échappement, car cela pourrait provoquer un choc électrique ou un incendie, ou d'endommager l'appareil.

14 Pour éviter un incendie, ne pas obstruer les entrées d'air ou d'échappement de toute manière. Ne pas utiliser sur des surfaces molles, comme un lit, où les ouvertures pourraient être bloquées.

15 Cet appareil contient des pièces chaudes et qui produisent des étincelles. Ne pas utiliser dans des endroits où de l'essence, de la peinture ou des liquides inflammables sont utilisés ou stockés.

16 Utiliser l'appareil tel que décrit dans ce manuel. Toute autre utilisation non recommandée par le fabricant peut provoquer un incendie, de choc électrique ou de blessures.

17 Evitez d'utiliser une rallonge car la rallonge peut surchauffer et causer un risque d'incendie. Toutefois, si vous devez utiliser et la rallonge, le cordon doit être de calibre minimal de 14 AWG et classé pas moins de 4700/6000 watts.

18 Cet appareil peut comporter un (visuel) alarme sonore pour avertir que des parties de l'appareil de chauffage reçoivent trop chaud. Si l'alarme retentit (clignote), mettez immédiatement l'appareil de chauffage bizarre et vérifier des objets sur ou à proximité de l'appareil de chauffage qui peuvent causer des températures élevées. **NE PAS UTILISER LE CHAUFFAGE AVEC L'ALARME SONORE (clignotant).**

19 "**CONSERVER CES INSTRUCTIONS**"

**SIEMPRE OBSERVE que ESTAS MEDIDAS DE SEGURIDAD AL OPERAR SU CALENTADORA ELECTRICA**

- Siempre** Lea todas las instrucciones antes de operar
- Siempre** Sitúe su calentadora eléctrica lejos de muebles o afloje cortinas colgantes.
- Siempre** Mantenga la parrilla trasera lejos de paredes o cortinas por no bloquear la toma de aire. (Si aplicable)
- Siempre** Desenchufe calentadora eléctrica cuando no en uso
- Siempre** Utilice calentadora eléctrica en una superficie seca plana
- Siempre** Utilice en 208-240 voltio 60 alimentación de Hz C.A.
- Siempre** Dirija la cuerda tan no será pisado tropezado sobre ni pellizcado por muebles
- Siempre** Mantenga cuerdas eléctricas, las cortinas y otro mobiliario lejos de su calentadora eléctrica
- Siempre** Mantenga su calentadora eléctrica limpia y el filtro libre de polvo. (Si aplicable)
- Siempre** Utilice dentro sólo.
- Nunca** Las cortinas del lugar, la ropa o las toallas sobre calentadora eléctrica secar.
- Nunca** Uso en la presencia de explosivo ni vapores flamables como gas ni pinta
- Nunca** Tape otro electrodoméstico en el mismo circuito. Los fusibles sopladados, peligros tropezados de circuitos y fuego pueden resultar.
- Nunca** El agua del uso o líquidos para limpiar su calentadora eléctrica.
- Nunca** Permita toque descubierto de piel superficies calientes como esto puede causar quemaduras
- Nunca** Deje calentadora eléctrica desatendida.
- Nunca** Deje calentadora eléctrica cuando niños o animales favoritos sean presentes.
- Nunca** Sitúe calentadora eléctrica donde puede caerse en una tina de baño u otros contenedores de agua.
- Nunca** Opere calentadora eléctrica con una cuerda dañada, el tapón o después de que la calentadora falle, o haya sido dejada caer o Ha Sido Dañada en cualquier.
- Nunca** Corra cuerda bajo alfombrar ni cobertura con tapetes de tiro ni corredores.
- Nunca** Inserte ni permita objetos extranjeros entrar cualquier ventilación ni agotar aperturas, como esto puede causar un golpe eléctrico, el fuego o el daño.

**Advertencia: Antes de la operación, asegúrese de que la toma de corriente es de la configuración y la capacidad adecuada para el calentador.**



## Peligro

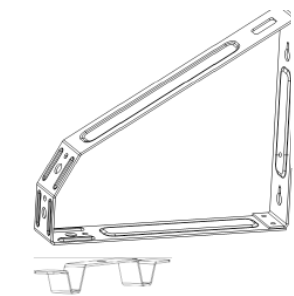
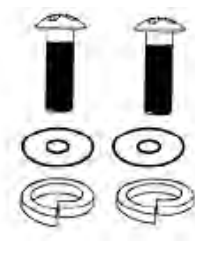


### DESCARGAS ELÉCTRICAS O INCENDIOS

LEER TODO Tamaño de cable, los requisitos de voltaje, Y DATOS DE SEGURIDAD PARA EVITAR DAÑOS MATERIALES Y LESIONES PERSONALES

DISTANCIA MÍNIMA DE COMBUSTIBLES	
DELANTERO	3 Feet
TOP	1 Foot
LADOS	1 Foot
TRASERO	1 Foot

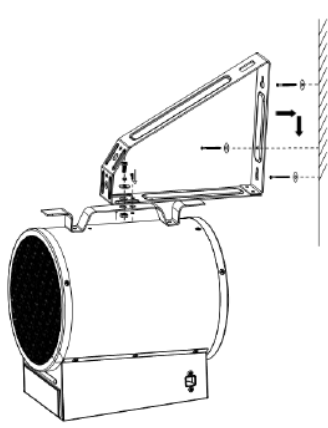
## ¿QUÉ HAY EN LA CAJA



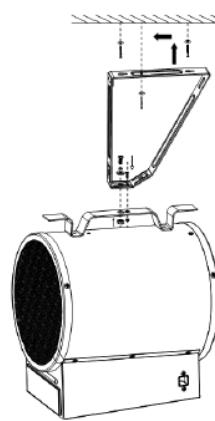
## INSTRUCCIONES DE MONTAJE / INSTALACIÓN



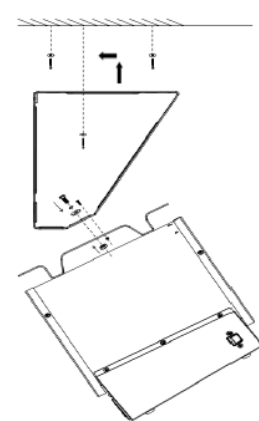
**ADVERTENCIA:** Utilice este calentador sólo como se describe en este manual. CUALQUIER OTRO USO NO RECOMENDADO POR EL FABRICANTE ES ESTRICTAMENTE PROHIBIDO Y PUEDE PROVOCAR INCENDIOS, DESCARGAS ELÉCTRICAS O LESIONES PERSONALES



**MONTAJE EN PARED DE APLICACIÓN**



**TECHO DE APLICACIÓN**



Herramientas necesarias:

- Taladro eléctrico
- 4 mm o 5/32 pulgadas broca
- Destornillador Phillips
- Detector de vigas

Retire del calentador y todo el material de embalaje de la caja

- **BESURE PARA RETIRAR EL PAQUETE DE HARDWARE DE EL ACONDICIONAMIENTO STYROFOAM**

1. Fijación Calentador de Soporte de pared
2. Alinee el agujero en el soporte con el agujero en el mango del calentador.
3. Fije el calentador al soporte con tornillo de 20 mm y la tuerca, la arandela grande de 10mm y la arandela de bloqueo.
4. Busque viga de madera en la pared o viga en el techo para montar el calentador.
5. Utilice los orificios del soporte para marcar 2 agujeros de perforación. 2 agujeros 13 Pre-taladro para tornillos
6. dos 65mm tornillos Fije a la pared dejando 1/8 "exposos. Dos (2) tornillos deben estar conectados a una viga de madera (min 1.5 ")
7. Fije el soporte a la cabeza del tornillo expuesto deslizando a través de orificios en el soporte y empujando hacia abajo para bloquear el soporte en su lugar.
8. Apriete los tornillos para asegurar el soporte contra.



**ADVERTENCIA: CALENTADOR DEBE ESTAR CONECTADO A UNA VIGUETA CON MINIMO DE (2) tornillos en agujeros opuestos.**



**ADVERTENCIA: usar los sujetadores adecuados. Los tornillos suministrados SON PARA INSTALAR EN MADERA POSTES SOLO Y NO DESTINADOS PARA VIGAS METÁLICAS.**



**ADVERTENCIA: TORNILLOS DE AJUSTE DE CIERTAS están bien apretados PARA ASEGURAR EL CALENTADOR DE SOPORTE**

## "GUARDE ESTAS INSTRUCCIONES"



**IMPORTANTE:** Lea todas las instrucciones y advertencias antes de su instalación y uso. El incumplimiento de estas instrucciones puede resultar en una posible descarga eléctrica, lesiones a personas, peligro de incendio y se anulará la garantía



### INSTRUCCIONES DE OPERACIÓN

**Nota:** Cuando se utiliza el calentador por primera vez, es posible que note una ligera emisión de humo. Esto es normal y se detendrá después de un corto período de tiempo. El elemento de calentamiento está hecho de acero y se recubrió con una capa de aceite de protección durante la producción.

**Uso por encima de 220 voltios puede causar un silbido debido a la mayor velocidad del ventilador. Esto es consecuencia de la tensión de alimentación. Esto es normal y no afecta el funcionamiento del calentador. Esto no es un defecto.**

1. Calentador a la pared o en el techo que se adjunta como se indica en las instrucciones.
2. Conecte el calentador de ventilador de la energía eléctrica adecuada. Ver a tierra instrucciones. Luz indicadora de encendido se iluminará.
3. Presione el botón rojo. Panel de la pantalla parpadeará cinco (5) veces y luego mostrar la temperatura ambiente.
4. Para aumentar o disminuir la temperatura, presione el botón de modo conjunto verde en el panel de control o el control remoto de dos (2) veces y luego seleccione las flechas arriba / abajo para aumentar o disminuir la temperatura programada.
5. Para configurar el temporizador de funciones, pulse el botón de modo verde en el panel de control o el control remoto de tres (3) veces. La pantalla digital se convierte conjunto lectura de la temperatura de valor de tiempo para el temporizador OH. Pulse el botón Timer flechas arriba / abajo el valor variará de 0 horas a 9 horas de duración (intervalos in1 horas).



**El cableado del tomacorriente debe cumplir con los códigos locales de construcción y demás normativa de aplicación para reducir el riesgo de incendio, descarga eléctrica y lesiones a personas.**



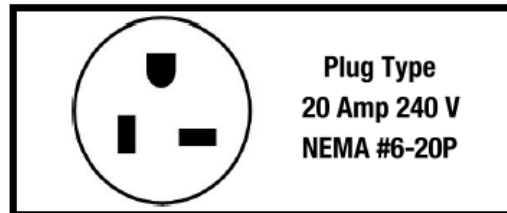
**No utilice este aparato si alguna parte de ella ha estado bajo el agua. Llame inmediatamente a un técnico calificado para que inspeccione el aparato y reemplace cualquier parte del sistema eléctrico que haya estado bajo el agua.**





## Puesta a tierra Instrucciones:

Este sistema operativo calentador para su uso en 240 (208) voltios. El cable tiene un enchufe como se muestra al lado. No hay adaptadores disponibles para esta configuración de la cuchilla, y ninguno debe ser usado. El tipo outlet es una toma a tierra 240 (208) voltios. Cuando se instala correctamente Proporciona una conexión a tierra a través del cable del calentador para evitar que el operador de un choque eléctrico.



EUH4000

Asegúrese de que el orificio de receptáculo eléctrico de la configuración y la capacidad adecuada para el calentador.

## Control automático de seguridad por sobrecalentamiento

- Este calentador está equipado con el calor interno y la limitación de termostato y circuito de protección contra el sobrecalentamiento. Cuando se alcanza un potencial de temperatura de sobrecalentamiento, el sistema se apagará automáticamente el calentador.
- **SI SEGURIDAD LÍMITE** luz ilumina una condición anormal ha apagado las resistencias. PARA REINICIAR esperar 10 minutos para permitir que el calentador se enfríe, el calentador se reiniciará automáticamente una vez que el elemento calefactor se enfríe.



**PRECAUCIÓN:**  
**RIESGO DE DESCARGA ELÉCTRICA**  
**NO ABRA**  
**NO HAY PARTES EN EL INTERIOR**



## Limpieza y Mantenimiento

**Todas las reparaciones eléctricas o recableado de esta máquina deben ser realizadas por un electricista con licencia y acuerdo con los códigos nacionales y locales.**

- Antes de limpiar el aparato, desconéctelo de la toma de corriente y deje que se enfríe.
- Limpie el aparato con un paño suave y húmedo.
- Con el fin de proteger el recinto, no salpicaduras de agua en el calentador, y nunca utilizar un disolvente como la gasolina, acetato de isoamilo, tolueno, etc, para limpiar el calentador. NO abra el calentador o intentar limpiar el interior de este aparato.

**ESPECIFICATIONS (Todas las especificaciones de tolerancia + 5% / -10%)**

Modelo	EUH4000
BTU's per/Hour	12,8000
Watts	3,7500
Volts	240
Amperios	20
Tipo de enchufe	Nema 6-20P
Area Calefacción	500

**GUÍA DE SOLUCIÓN DE PROBLEMAS.**

<b>PROBLEM</b>	<b>CAUSE</b>	<b>SOLUTION</b>
Heating element does not glow red	Stainless steel elements won't glow red to produce heat.	Heater is operating correctly
Do not feel heat or air flow	No power to heater	Check power connection to heater
	Desired room temperature reached.	Thermostat will shut off once desired room temperature is reached.
	Auto-Reset has tripped	Unplug heater allow to cool down for 10 minutes, then restart.
	Heater has fan only setting.	Set to run on full power for heating.
Ventilador funcionando sin calor	Calefacción en el ciclo de enfriamiento	Esto es normal para dispersar el calor en toda la zona. Gire termostato si se desea calor adicional

# **GARANTIA ELECTRICA PORTATIL de CALENTADORA**

## **La GARANTIA LIMITADA:**

Una garantía limitada es extendida al comprador original de esta calentadora y autorizaciones contra falla debido a defectos industriales por un período de

(1) un año de la fecha de la compra de la venta al por menor. Lea por favor y siga todos los detalles notados abajo.

## **Los RECLAMOS MANEJARON DE LA SIGUIENTE MANERA:**

- No REGRESA a COLOCAR DE la COMPRA

- Contacta nuestro Departamento de Servicio de Customer en 1-800-776-9425. Debe tener el número modelo, el número de serie y la fecha de la compra.

-Le proporcionarán con instuictions adicional, que puede repuestos de include, la reparación o el reemplazo en nuestra opción.

**LLAME 1-800-776-9425 PARA el SERVICIO (9AM-5PM Lunes-Viernes)**

**PEMAIL EEUU EN [info@worldmktng.com](mailto:info@worldmktng.com)**

## **Los DEBERES DEL PROPIETARIO:**

Este aparato de la calefacción debe ser operado de acuerdo con las instrucciones escritos amuebladas con esta calentadora. Esta garantía no dispensará al propietario de mantener apropiadamente esta calentadora de acuerdo con las instrucciones escritos amueblados con esta calentadora. Una escritura de venta, registro de cheque pagado o pago debe ser mantenido para verificar la compra la fecha y establecer el período de garantía. El cartón original debe ser mantenido en caso del regreso de garantía de la unidad.

## **LO QUE no ES CUBIERTO:**

1. El daño causado por maltrato o utiliza al contrario del manual de propietarios y pautas de seguridad.
2. El daño causado por una falta de mantenimiento normal.
3. Repare por una persona no autorizada.
4. El daño causado por conexión a un voltaje impropio.
5. Dañado causado por el uso fuera.

**Las LIMITACIONES:**

Esta garantía no implica ni asume responsabilidad para daños consecuentes que pueden resultar del uso, del maltrato, o de la falta de mantenimiento rutinario de este aparato de la calefacción. Un honorario de limpieza y el costo de partes pueden ser cargados para fracasos de aparato que resultan de la falta de mantenimiento. Esta garantía no cubre reclamos, que no implican habilidad ni materiales defectuosos. El INCUMPLIMIENTO MANTENIMIENTO GENERAL (INCLUSIVE LIMPIEZA) VACIARA ESTA GARANTIA.

ESTA GARANTIA LIMITADA ES DADA AL COMPRADOR EN VEZ DE TODAS LAS OTRAS GARANTIAS, EXPRESADO O IMPLICITO, INCLUSIVE PERO no LIMITADO A LAS GARANTIAS DE COMERCIALIZACION DE la SALUD PARA UN PROPOSITO PARTICULAR. EL REMEDIO PROPORCIONADO EN ESTA GARANTIA ES EXCLUSIVO Y GRANT EN VEZ DE TODOS LOS OTROS REMEDIOS. EN ningún ACONTECIMIENTO HACE MARKETING de MUNDO DE AMERICA ES RESPONSABLE DE el CASUAL O DAÑOS CONSECUENTES.

Algunos estados no permiten limitaciones en cuánto tiempo una garantía implícita dura, así que la limitación antes mencionada no le puede aplicar. Algunos estados no permiten la exclusión ni la limitación de daños casuales ni consecuentes tan que la limitación ni exclusión antes mencionadas no le pueden aplicar.

**Para su registro, cosa con una grapa su recibo de ventas a este manual y registra lo  
Siguiete:**

**La FECHA DE la COMPRA:** \_\_\_\_\_

**EI LUGAR DE la COMPRA:** \_\_\_\_\_

**EI NUMERO DE SERIE:** \_\_\_\_\_

Impreso en China

© 2018 Comfort Home Products, Inc. Todos los derechos reservados