

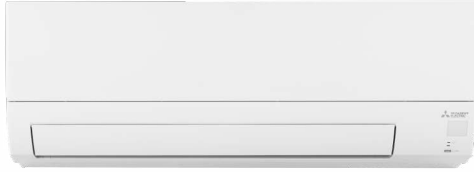
MSZ-HX24NL & MUZ-HX24NL  
22,400 BTU/H WALL-MOUNTED INDOOR UNIT  
22,400 BTU/H INVERTER HEAT PUMP OUTDOOR UNIT



Job Name:

System Reference:

Date:



Indoor Unit.....MSZ-HX24NL

Outdoor Unit.....MUZ-HX24NL



**INDOOR UNIT FEATURES**

- 12-hour timer
- Auto restart
- Dual Barrier Coating: The patented Dual Barrier Coating reduces the collection of contaminants like dust, fibers, smoke, and oil on the inner surface of the heat pump, resulting in optimal airflow and easier maintenance.
- Econo Cool: Econo Cool temporarily and automatically adjusts the airflow based on heat exchanger temperature. The set temperature is increased slightly, which saves energy, while maintaining comfort.
- Electrostatic Enzyme Filter: Charged with static electricity, the Electrostatic filter is designed to attract and filter charged particles which can include airborne non-living particulates.
- Four fan speed options: Low, Medium, high, Super-high
- Multiple control options including: Hand-held Remote Controller (provided with unit), comfort app, third-party interfaces and both wired and wireless controllers
- Smart Dry Mode: Improves humidity control with minimal over-cooling of the space

**OUTDOOR UNIT FEATURES**

- Blue Fin Coating: An anti-corrosion treatment applied to the aluminum fins of the heat exchanger of the outdoor unit to protect against corrosion caused by salt, sulfur, and other airborne contaminants, especially in coastal and industrial areas.
- INVERTER-driven compressor: An inverter-driven compressor generates the precise capacity needed to maintain a temperature set point.
- Powered by Outdoor Unit: The outdoor unit powers the indoor unit, and should a power outage occur, the system is automatically restarted when power returns

## SPECIFICATIONS: MSZ-HX24NL & MUZ-HX24NL

Cooling at 95F <sup>1</sup>	Maximum Capacity	Btu/h	22,400
	Rated Capacity	Btu/h	22,400
	Minimum Capacity	Btu/h	5,800
	Maximum Power Input	W	2,200
	Rated Power Input	W	1,910
	Moisture Removal	Pints/h	5.5
	Sensible Heat Factor	-	0.73
	Power Factor [208V / 230V]	%	95 / 95
Heating at 47F <sup>2</sup>	Maximum Capacity	Btu/h	26,000
	Rated Capacity	Btu/h	26,000
	Minimum Capacity	Btu/h	6,200
	Maximum Power Input	W	2,500
	Rated Power Input	W	2,500
	Power Factor [208V / 230V]	%	97 / 97
Heating at 17F <sup>3</sup>	Maximum Capacity	Btu/h	18,500
	Rated Capacity	Btu/h	17,200
	Maximum Power Input	W	3,060
	Rated Power Input	W	1,900
Heating at 5F <sup>4</sup>	Maximum Capacity	Btu/h	18,200
Heating at -5F <sup>5</sup>	Maximum Capacity	Btu/h	17,980
Efficiency	SEER <sup>2</sup>		20
	EER <sup>2</sup> <sup>1</sup>		11.75
	HSPF <sup>2</sup> [I/V]		9.5
	COP at 47°F <sup>2</sup>		3.05
	COP at 17°F at Maximum Capacity <sup>3</sup>		1.76
	COP at 5°F at Maximum Capacity <sup>4</sup>		1.8
	COP at -5°F at Maximum Capacity <sup>5</sup>		1.74
	ENERGY STAR® Certified		Yes
Electrical	Voltage, Phase, Frequency	V AC / V AC, , Hz	208 / 230, 1, 60
	Guaranteed Voltage Range	V AC	187 - 253
	Voltage: Indoor - Outdoor, S1-S2	V AC	230
	Voltage: Indoor - Outdoor, S2-S3	V DC	24
	Short-circuit Current Rating [SCCR]	kA	5
	Recommended Fuse/Breaker Size (Outdoor)	A	25
	Recommended Wire Size [Indoor - Outdoor]	AWG	14
Indoor Unit	MCA	A	1
	Fan Motor Output	W	40
	Airflow Rate at Cooling, Dry	CFM	341, 428, 537, 664
	Airflow Rate at Cooling, Wet	CFM	306, 385, 484, 597
	Airflow Rate at Heating, Dry	CFM	394, 482, 579, 720
	Sound Pressure Level [Cooling]	dB (A)	33, 38, 44, 50
	Sound Pressure Level [Heating]	dB (A)	34, 39, 44, 50
	Drain Pipe Size O.D.	inch [mm]	5/8 [15.88]
	Dual Barrier Coating on Heat Exchanger		No
	External Finish Color		Munsell 0.7PB 9.2/0.4
	Unit Dimensions (W x D x H)	inch x inch x inch [mm x mm x mm]	36-5/16 x 10-7/8 x 12 [923 x 278 x 305]
	Package Dimensions (W x D x H)	inch x inch x inch [mm x mm x mm]	39-1/2 x 15-1/4 x 14-1/4 [1,000 x 390 x 360]
	Unit Weight	lbs [kg]	28 [12.50]
	Package Weight	lbs [kg]	33 [14.60]
Fan Motor Type		DC Motor	
IDU Operating Temp. Range	Cooling Intake Air Temp [Maximum / Minimum]	°FDB, °FWB / °FDB, °FWB	90, 73 / 67, 57
	Heating Intake Air Temp [Maximum / Minimum]	°FDB	80 / 70

**NOTES**

<sup>1</sup>Cooling at 95°F (Indoor: 80°F DB, 67°F WB // Outdoor: 95°F DB, 75°F WB)

<sup>2</sup>Heating at 47°F (Indoor: 70°F DB, 60°F WB // Outdoor: 47°F DB, 43°F WB)

<sup>3</sup>Heating at 17°F (Indoor: 70°F DB, 60°F WB // Outdoor: 17°F DB, 15°F WB)

<sup>4</sup>Heating at 5°F (Indoor: 70°F DB, 60°F WB // Outdoor: 5°F DB, 4°F WB)

<sup>5</sup>Heating at -5°F (Indoor: 70°F DB, 60°F WB // Outdoor: -5°F DB, -6°F WB)

<sup>6</sup>Indoor/Outdoor Unit Operating Temperature Range (Cooling Air Temp [Maximum / Minimum]):

• Applications should be restricted to comfort cooling only; equipment cooling applications are not recommended for low ambient temperature conditions.

\*\* Outdoor Unit Operating Temperature Range (Cooling Thermal Lock-out / Re-start Temperatures; Heating Thermal Lock-out / Re-start Temperatures):

• System cuts out in heating mode and automatically restarts at these temperatures.

## SPECIFICATIONS: MSZ-HX24NL & MUZ-HX24NL

Outdoor Unit	MCA	A	23
	MOCP	A	25
	Fan Motor Full Load Amperage	A	0.74
	Fan Motor Output	W	55
	Airflow Rate Cooling	CFM	2,202
	Airflow Rate Heating	CFM	1,934
	Defrost Method		Reverse Cycle
	Coating on Heat Exchanger (Bluefin, Sea Coast)		Yes, Yes
	Sound Pressure Level, Cooling <sup>1</sup>	dB (A)	54
	Sound Pressure Level, Heating <sup>2</sup>	dB (A)	55
	Compressor Type		Twin Rotary
	Compressor Model		SRB172FQHMT
	Compressor Oil [Type // Charge]	Type // oz	RM68EH // 14.54
	External Finish Color		Munsell 3Y 7.8/1.1
	Base Pan Heater		Optional
	Unit Dimensions (W x D x H)	inch x inch x inch [mm x mm x mm]	33-1/16 x 13 x 34-5/8 [840 x 330 x 880]
	Package Dimensions (W x D x H)	inch x inch x inch [mm x mm x mm]	38-5/8 x 16-9/16 x 16-9/16 [980 x 420 x 1,030]
	Unit Weight	lbs [kg]	115 [52.2]
	Package Weight	lbs [kg]	134 [60.9]
	ODU Operating Temp. Range	Cooling Intake Maximum Air Temp [Maximum / Minimum*]	°FDB
Cooling Thermal Lock-out / Re-start Temperatures**		°FDB	-1 / 3
Heating Air Temp [Maximum / Minimum]		°FDB, °FWB / °FDB, °FWB	75, 65 / -5, -6
Heating Thermal Lock-out / Re-start Temperatures**		°FDB	-14 / -4
Refrigerant	Type		R454B
	Pre-Charged Refrigerant Amount	lbs	3
	Maximum Pre-Charged Piping Length	ft [m]	50 [15]
	Additional Refrigerant Charge Per Additional Piping Length	oz/ft	0.22
Piping	Gas Pipe Size O.D. [Flared]	inch [mm]	1/2 [12.72]
	Liquid Pipe Size O.D. [Flared]	inch [mm]	1/4 [6.35]
	Maximum Piping Length	ft [m]	100 [30]
	Maximum Height Difference	ft [m]	50 [15]
	Maximum Number of Bends		10

### NOTES

<sup>1</sup>Cooling at 95°F (Indoor: 80°F DB, 67°F WB // Outdoor: 95°F DB, 75°F WB)

<sup>2</sup>Heating at 47°F (Indoor: 70°F DB, 60°F WB // Outdoor: 47°F DB, 43°F WB)

<sup>3</sup>Heating at 17°F (Indoor: 70°F DB, 60°F WB // Outdoor: 17°F DB, 15°F WB)

<sup>4</sup>Heating at 5°F (Indoor: 70°F DB, 60°F WB // Outdoor: 5°F DB, 4°F WB)

<sup>5</sup>Heating at -5°F (Indoor: 70°F DB, 60°F WB // Outdoor: -5°F DB, -6°F WB)

\* Indoor/Outdoor Unit Operating Temperature Range (Cooling Air Temp [Maximum / Minimum]):

• Applications should be restricted to comfort cooling only; equipment cooling applications are not recommended for low ambient temperature conditions.

\*\* Outdoor Unit Operating Temperature Range (Cooling Thermal Lock-out / Re-start Temperatures; Heating Thermal Lock-out / Re-start Temperatures):

• System cuts out in heating mode and automatically restarts at these temperatures.

## INDOOR UNIT ACCESSORIES: MSZ-HX24NL

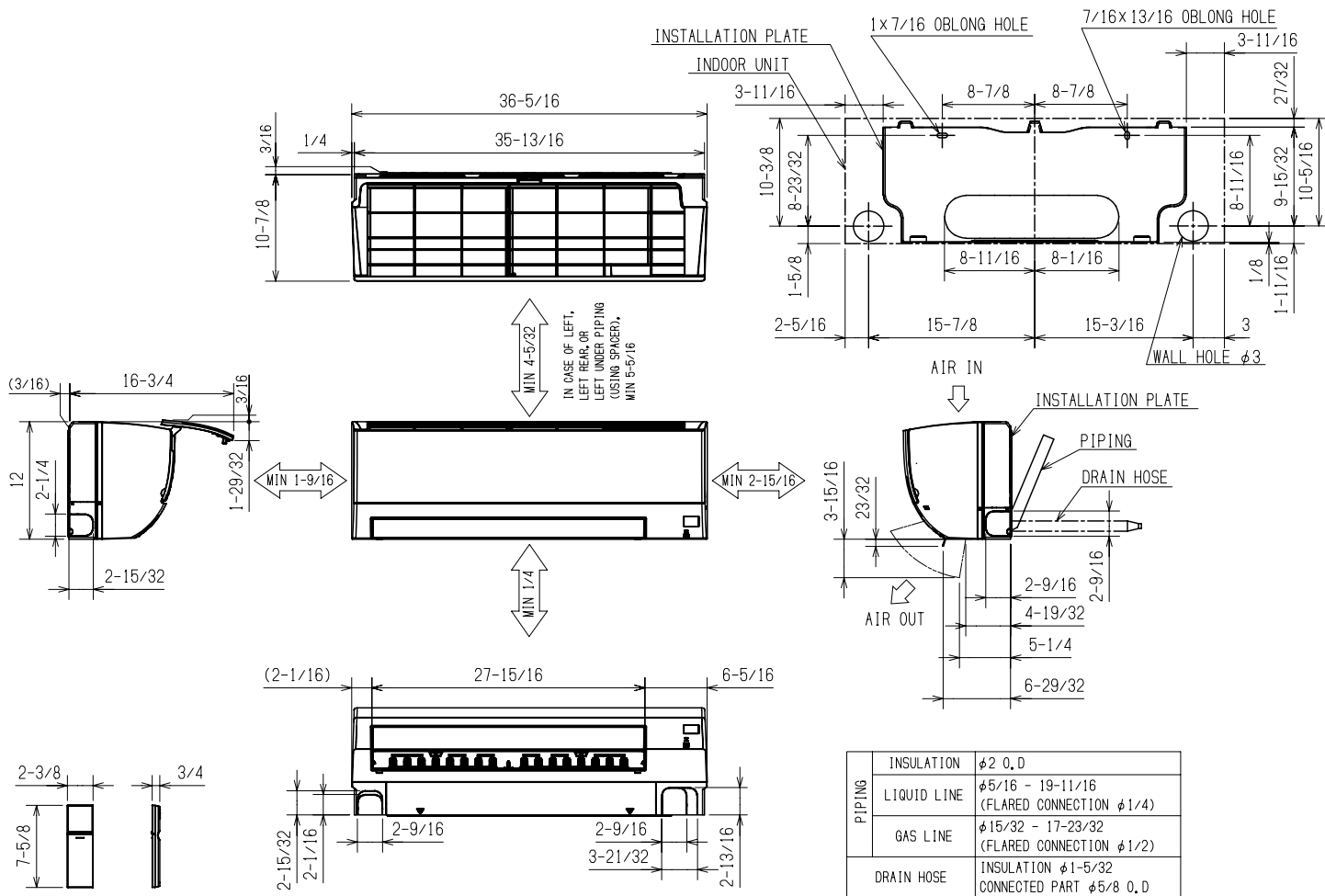
Control Interface	Airzone Wired Blueface Controller Black	AZZBSBLUEZEROCN
	Airzone Wired Blueface Controller White	AZZBSBLUEZEROCB
	Airzone Wireless Lite Controller Black	AZZBSLITERN
	Airzone Wireless Lite Controller White	AZZBSLITERB
	Airzone Wireless Think Controller Black	AZZBSTHINKRN
	Airzone Wireless Think Controller White	AZZBSTHINKRB
	IT Extender for kumo station	PAC-WHS011E-E
	kumo station for the Comfort app	PAC-WHS011HC-E
	M-Net I/O Control Interface for M-Series <sup>2</sup>	MAC-334IF-E
	Procon BACnet and Modbus Interface	PAC-UKPRC001-CN-1
	Thermostat Interface for 3rd Party Thermostats	PAC-US445CN-1
	Wireless Interface Adapter for the Comfort app	PAC-USWHS002-WF-2
	Condensate	Blue Diamond Advanced Mini Condensate Pump w Reservoir Sensor 208230V recommended
Blue Diamond MaxiBlue Advanced Mini Condensate Pump w Reservoir Sensor 110V up to 48000 BTUH recommended		X87-711
Blue Diamond MegaBlue Advanced Condensate Pump w Reservoir Sensor		X87-835
Blue Diamond Sensor Extension Cable 15 Ft		C13-103
Drain Pan Level SensorControl		SS610E
Refco Condensate Pump 100-240 VAC		GOBI-II
Refco Condensate Pump 100-240 VAC up to 120000 BTUH		COMBI
Sauermann Condensate Pump		SI30-230
Remote Sensor	Wireless temperature and humidity sensor for the Comfort app	PAC-USWHS003-TH-1
Filter	Electro Static Anti-allergy Enzyme Filter	MAC-2320FT-E
	Microparticle Filter	MAC-EMF515FT-E
Wireless Remote Controller	Lockdown Bracket for Wireless Handheld Remote Controllers	RCMKP1CB
	RedLINK Wireless Remote Controller	MHK2
Power Supplies and Auxiliary Components	Backup Heat Relay Kit Adapter for CN24 or CN152 Connector	CN24RELAY-KIT-CM3
Drain Hose	Flexible Mini-Split Drain Hose	DRX-16
Lineset	100 x 1/4 x 100 1/2 Lineset Twin-Tube Insulation	MLS141212T-100
	15 x 1/4 x 15 1/2 Lineset Twin-Tube Insulation	MLS141212T-15
	30 x 1/4 x 30 1/2 Lineset Twin-Tube Insulation	MLS141212T-30
	50 x 1/4 x 50 1/2 Lineset Twin-Tube Insulation	MLS141212T-50
	65 x 1/4 x 65 1/2 Lineset Twin-Tube Insulation	MLS141212T-65
Disconnect Switch	30A600VUL fits 2 X 4 utility box - Black	TAZ-MS303
	30A600VUL fits 2 X 4 utility box - White	TAZ-MS303W
Wired Remote Controller	Deluxe Wired MA Remote Controller <sup>1</sup>	PAR-42MAAUB
	Simple Direct Wired Remote Controller	PAC-SDW01RC-1
	Simple MA Remote Controller <sup>1</sup>	PAC-YT53CRAU-J
	Touch MA Wired Remote Controller <sup>1</sup>	PAR-CT01MAU-SB
<p>NOTES</p> <p><sup>2</sup>Allows IDU Connection to MA Controller:                      Deluxe MA Remote Controller                      Simple MA Controller                      Touch MA Controller  <sup>1</sup>Requires MAC-334IF-E Adapter  <sup>1</sup>Requires MAC-334IF-E Adapter  <sup>1</sup>Requires MAC-334IF-E Adapter</p>		

## OUTDOOR UNIT ACCESSORIES: MUZ-HX24NL

Mini-Split Wire	14 Gauge 4 wire Armored MiniSplit Cable250 ft roll	SW144-250
	14 Gauge 4 wire Armored MiniSplit Cable50 ft roll	SW144-50
	14 Gauge 4 wire MiniSplit Cable250 ft roll	S144-250
	14 Gauge 4 wire MiniSplit Cable50 ft roll	S144-50
	16 Gauge 4 wire Armored MiniSplit Cable250 ft roll	SW164-250
	16 Gauge 4 wire Armored MiniSplit Cable50 ft roll	SW164-50
	16 Gauge 4 wire MiniSplit Cable250 ft roll	S164-250
	16 Gauge 4 wire MiniSplit Cable50 ft roll	S164-50
Snow/Rain Diverter	SnowRain Diverter	SRD-3
Control/Service Tool	M- & P-Series Maintenance Tool Cable Set	M21EC0397
	Maintenance Tool Interface	PAC-USCMS-MN-1
Stand	18 Single Fan Stand	QSMS1801M
	24 Single Fan Stand	QSMS2401M
	Condenser Wall Bracket	QSWB2000M-1
	Condenser Wall Bracket - Stainless Steel Finish	QSWBSS
	Outdoor Unit 3-14 inch Mounting Base Pair - Plastic	DSD-400P
	Outdoor Unit Stand 12 High	QSMS1201M
Air Outlet Guide	Air Outlet Guide	MAC-890SG-E
Optional Defrost Heater	Base Heater	MAC-642BH-U1
Drain Socket	Drain Socket	MAC-871DS
Hail Guards	Hail Guard	HG-A7
Mounting Pad	Condensing Unit Mounting Pad 16 x 36 x 3	ULTRILITE1
NOTES		

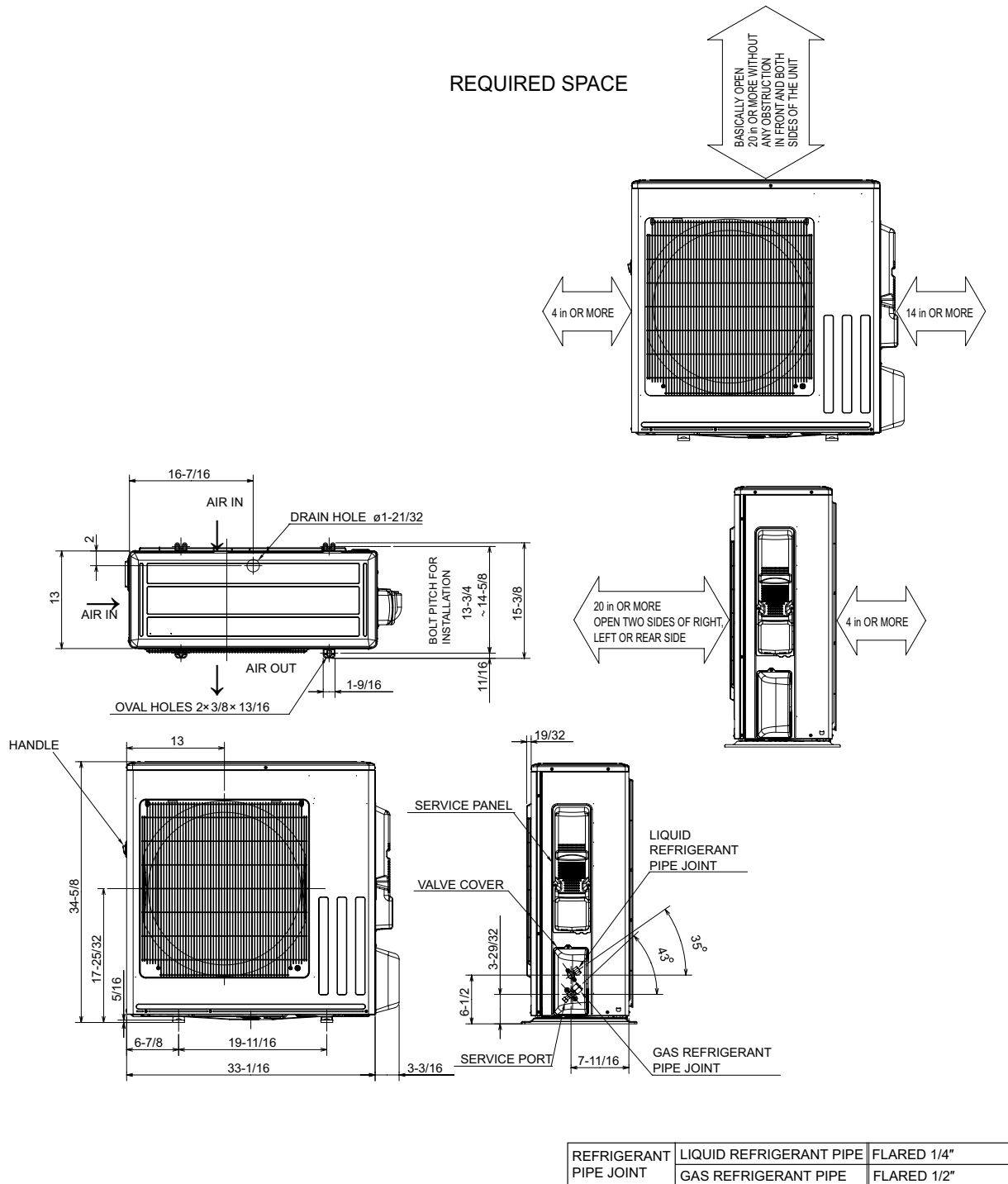
# INDOOR UNIT DIMENSIONS: MSZ-HX24NL

MSZ-HX18NL- U1  
MSZ-HX24NL- U1



# OUTDOOR UNIT DIMENSIONS: MUZ-HX24NL

## MUZ-HX24NL-U1



METUS\_2025-02\_PROPIN

1340 Satellite Boulevard Suwanee, GA 30024  
Toll Free: 800-433-4822 <https://mitsubishi.com/comfort>

