

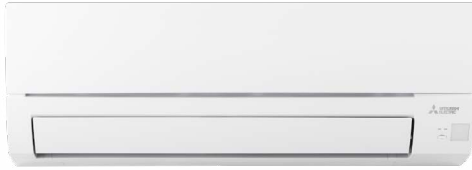
**MSZ-WX18NL & MUZ-WX18NL  
17,200 BTU/H WALL-MOUNTED INDOOR UNIT  
17,200 BTU/H INVERTER HEAT PUMP OUTDOOR UNIT**



Job Name:

System Reference:

Date:



Indoor Unit.....MSZ-WX18NL

Outdoor Unit.....MUZ-WX18NL



**INDOOR UNIT FEATURES**

- 12-hour timer
- Auto restart
- Econo Cool: Econo Cool temporarily and automatically adjusts the airflow based on heat exchanger temperature. The set temperature is increased slightly, which saves energy, while maintaining comfort.
- Electrostatic Enzyme Filter: Charged with static electricity, the Electrostatic filter is designed to attract and filter charged particles which can include airborne non-living particulates.
- Four fan speed options: Low, Medium, high, Super-high
- Multiple control options including: Back-lit screen hand-held Remote Controller (provided with unit), comfort app, third-party interfaces and both wired and wireless controllers
- Nano Platinum Filter: This filter has a large capture area and incorporates nanometer-sized platinum-ceramic particles and is designed to reduce the presence of certain nonliving particles, while deodorizing the circulating air.
- Smart Dry Mode: Improves humidity control with minimal over-cooling of the space

**OUTDOOR UNIT FEATURES**

- Blue Fin Coating: An anti-corrosion treatment applied to the aluminum fins of the heat exchanger of the outdoor unit to protect against corrosion caused by salt, sulfur, and other airborne contaminants, especially in coastal and industrial areas.
- INVERTER-driven compressor: An inverter-driven compressor generates the precise capacity needed to maintain a temperature set point.
- Powered by Outdoor Unit: The outdoor unit powers the indoor unit, and should a power outage occur, the system is automatically restarted when power returns

# SPECIFICATIONS: MSZ-WX18NL & MUZ-WX18NL

Cooling at 95F <sup>1</sup>	Maximum Capacity	Btu/h	18,000
	Rated Capacity	Btu/h	17,200
	Minimum Capacity	Btu/h	5,800
	Maximum Power Input	W	2,170
	Rated Power Input	W	1,810
	Moisture Removal	Pints/h	5.2
	Sensible Heat Factor	-	0.67
Heating at 47F <sup>2</sup>	Power Factor [208V / 230V]	%	98 / 98
	Maximum Capacity	Btu/h	20,800
	Rated Capacity	Btu/h	18,000
	Minimum Capacity	Btu/h	5,400
	Maximum Power Input	W	2,600
	Rated Power Input	W	1,680
Heating at 17F <sup>3</sup>	Power Factor [208V / 230V]	%	97 / 97
	Maximum Capacity	Btu/h	15,000
	Rated Capacity	Btu/h	11,700
	Maximum Power Input	W	2,510
Efficiency	Rated Power Input	W	1,360
	SEER2		18
	EER2 <sup>1</sup>		9.5
	HSPF2 [I/V]		8.5
	COP at 47°F <sup>2</sup>		3.14
Electrical	COP at 17°F at Maximum Capacity <sup>3</sup>		1.74
	ENERGY STAR® Certified		No
	Voltage, Phase, Frequency	V AC / V AC, ø, Hz	208 / 230, 1, 60
	Guaranteed Voltage Range	V AC	187 - 253
	Voltage: Indoor - Outdoor, S1-S2	V AC	230
	Voltage: Indoor - Outdoor, S2-S3	V DC	24
	Short-circuit Current Rating [SCCR]	kA	5
	Recommended Fuse/Breaker Size (Outdoor)	A	20
	Recommended Wire Size [Indoor - Outdoor]	AWG	14
	Indoor Unit	MCA	A
Fan Motor Output		W	30
Airflow Rate at Cooling, Dry		CFM	277, 341, 411, 473
Airflow Rate at Cooling, Wet		CFM	249, 307, 370, 426
Airflow Rate at Heating, Dry		CFM	253, 311, 376, 453
Sound Pressure Level [Cooling]		dB (A)	32, 38, 44, 49
Sound Pressure Level [Heating]		dB (A)	31, 36, 41, 46
Drain Pipe Size O.D.		inch [mm]	5/8 [15.88]
Dual Barrier Coating on Heat Exchanger			No
External Finish Color			Munsell 0.7PB 9.2/0.4
Unit Dimensions (W x D x H)		inch x inch x inch [mm x mm x mm]	33 x 9 x 11-1/16 [838 x 228 x 280]
Package Dimensions (W x D x H)		inch x inch x inch [mm x mm x mm]	35-1/2 x 13-1/4 x 11-1/4 [900 x 340 x 290]
Unit Weight		lbs [kg]	20 [9]
Package Weight		lbs [kg]	23 [10.40]
Fan Motor Type		DC Motor	
IDU Operating Temp. Range	Cooling Intake Air Temp [Maximum / Minimum]	°FDB, °FWB / °FDB, °FWB	90, 73 / 67, 57
	Heating Intake Air Temp [Maximum / Minimum]	°FDB	80 / 70

**NOTES**

<sup>1</sup>Cooling at 95°F (Indoor: 80°F DB, 67°F WB // Outdoor: 95°F DB, 75°F WB)

<sup>2</sup>Heating at 47°F (Indoor: 70°F DB, 60°F WB // Outdoor: 47°F DB, 43°F WB)

<sup>3</sup>Heating at 17°F (Indoor: 70°F DB, 60°F WB // Outdoor: 17°F DB, 15°F WB)

\* Indoor/Outdoor Unit Operating Temperature Range (Cooling Air Temp [Maximum / Minimum]):

• Applications should be restricted to comfort cooling only; equipment cooling applications are not recommended for low ambient temperature conditions.

\*\* Outdoor Unit Operating Temperature Range (Cooling Thermal Lock-out / Re-start Temperatures; Heating Thermal Lock-out / Re-start Temperatures):

• System cuts out in heating mode and automatically restarts at these temperatures.

## SPECIFICATIONS: MSZ-WX18NL & MUZ-WX18NL

Outdoor Unit	MCA	A	16
	MOCP	A	20
	Fan Motor Full Load Amperage	A	0.71
	Fan Motor Output	W	55
	Airflow Rate Cooling	CFM	1,166
	Airflow Rate Heating	CFM	1,152
	Defrost Method		Reverse Cycle
	Coating on Heat Exchanger (Bluefin, Sea Coast)		Yes, Yes
	Sound Pressure Level, Cooling <sup>1</sup>	dB (A)	53
	Sound Pressure Level, Heating <sup>2</sup>	dB (A)	51
	Compressor Type		Twin Rotary
	Compressor Model		SRB140FQHMC
	Compressor Oil [Type // Charge]	Type // oz	RM68EH // 11.83
	External Finish Color		Munsell 3Y 7.8/1.1
	Base Pan Heater		Optional
	Unit Dimensions (W x D x H)	inch x inch x inch [mm x mm x mm]	31-1/2 x 11-1/4 x 21-5/8 [800 x 285 x 550]
	Package Dimensions (W x D x H)	inch x inch x inch [mm x mm x mm]	35-1/2 x 13-1/4 x 11-1/4 [900 x 340 x 290]
	Unit Weight	lbs [kg]	20 [9]
	Package Weight	lbs [kg]	23 [10.40]
	ODU Operating Temp. Range	Cooling Intake Air Temp [Maximum / Minimum*]	°FDB
Cooling Thermal Lock-out / Re-start Temperatures**		°FDB	-1 / 3
Heating Intake Air Temp [Maximum / Minimum]		°FDB, °FWB / °FDB, °FWB	75, 65 / 5, 4
Heating Thermal Lock-out / Re-start Temperatures**		°FDB	-14 / -4
Refrigerant	Type		R454B
	Pre-Charged Refrigerant Amount	lbs, oz	2, 2
	Maximum Pre-Charged Piping Length	ft [m]	25 [7.50]
	Additional Refrigerant Charge Per Additional Piping Length	oz/ft	0.22
Piping	Gas Pipe Size O.D. [Flared]	inch [mm]	1/2 [12.72]
	Liquid Pipe Size O.D. [Flared]	inch [mm]	1/4 [6.35]
	Maximum Piping Length	ft [m]	65 [20]
	Maximum Height Difference	ft [m]	40 [12]
	Maximum Number of Bends		10

### NOTES

<sup>1</sup>Cooling at 95°F (Indoor: 80°F DB, 67°F WB // Outdoor: 95°F DB, 75°F WB)

<sup>2</sup>Heating at 47°F (Indoor: 70°F DB, 60°F WB // Outdoor: 47°F DB, 43°F WB)

<sup>3</sup>Heating at 17°F (Indoor: 70°F DB, 60°F WB // Outdoor: 17°F DB, 15°F WB)

\* Indoor/Outdoor Unit Operating Temperature Range (Cooling Air Temp [Maximum / Minimum]):

• Applications should be restricted to comfort cooling only; equipment cooling applications are not recommended for low ambient temperature conditions.

\*\* Outdoor Unit Operating Temperature Range (Cooling Thermal Lock-out / Re-start Temperatures; Heating Thermal Lock-out / Re-start Temperatures):

• System cuts out in heating mode and automatically restarts at these temperatures.

## INDOOR UNIT ACCESSORIES: MSZ-WX18NL

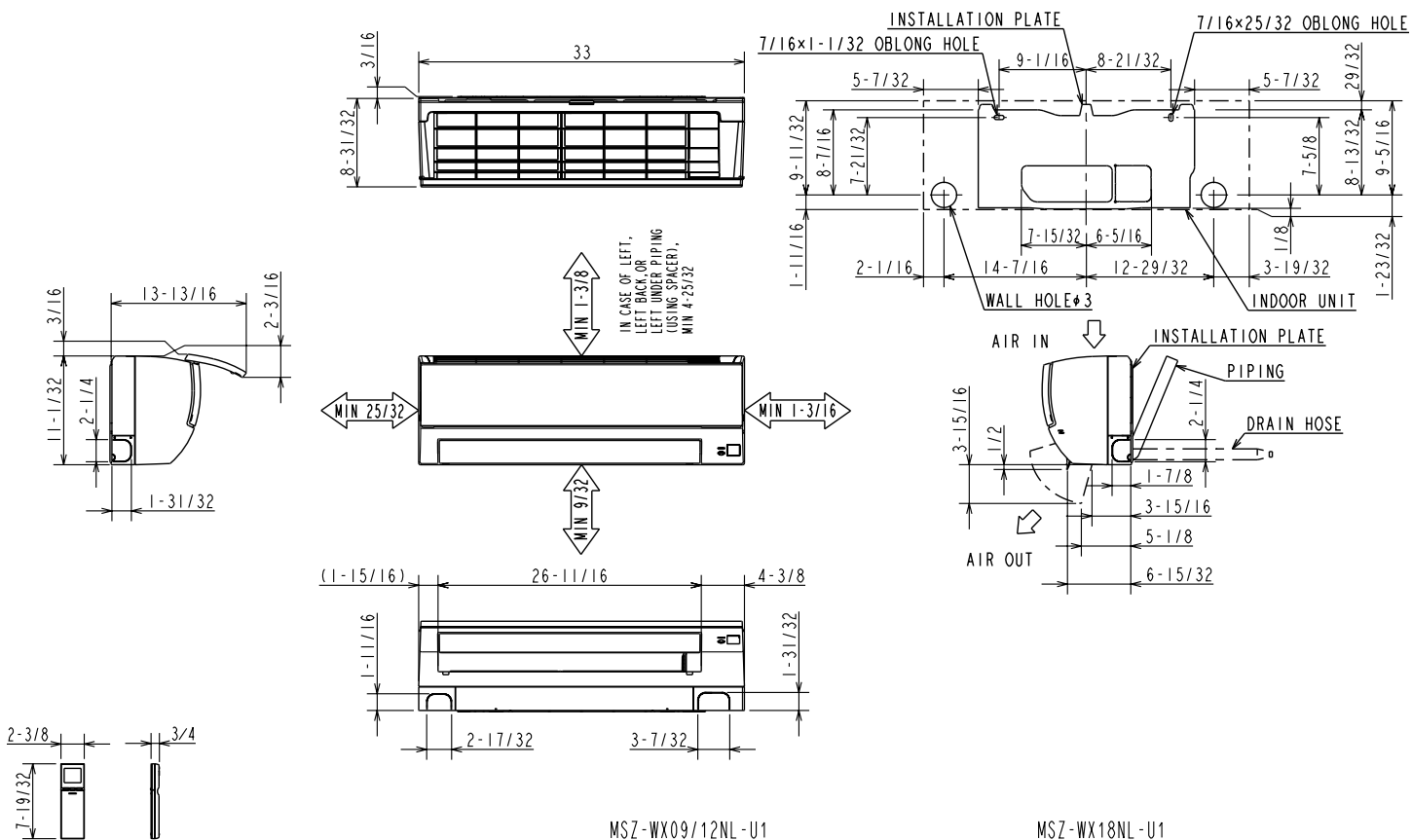
Lineset	100 x 1/4 x 100 1/2 Lineset Twin-Tube Insulation	MLS141212T-100
	15 x 1/4 x 15 1/2 Lineset Twin-Tube Insulation	MLS141212T-15
	15 x 1/4 x 15 3/8 Lineset Twin-Tube Insulation	MLS143812T-15
	30 x 1/4 x 30 1/2 Lineset Twin-Tube Insulation	MLS141212T-30
	30 x 1/4 x 30 3/8 Lineset Twin-Tube Insulation	MLS143812T-30
	50 x 1/4 x 50 1/2 Lineset Twin-Tube Insulation	MLS141212T-50
	50 x 1/4 x 50 3/8 Lineset Twin-Tube Insulation	MLS143812T-50
	65 x 1/4 x 65 1/2 Lineset Twin-Tube Insulation	MLS141212T-65
	65 x 1/4 x 65 3/8 Lineset Twin-Tube Insulation	MLS143812T-65
Filter	Electro Static Anti-allergy Enzyme Filter	MAC-2320FT-E
	Microparticle Filter	MAC-EMF515FT-E
Control Interface	Airzone Wired Blueface Controller Black	AZZBSBLUEZEROCN
	Airzone Wired Blueface Controller White	AZZBSBLUEZEROCB
	Airzone Wireless Lite Controller Black	AZZBSLITERN
	Airzone Wireless Lite Controller White	AZZBSLITERB
	Airzone Wireless Think Controller Black	AZZBSTHINKRN
	Airzone Wireless Think Controller White	AZZBSTHINKRB
	IT Extender for kumo station	PAC-WHS011E-E
	kumo station for the Comfort app	PAC-WHS011HC-E
	M-Net I/O Control Interface for M-Series <sup>2</sup>	MAC-334IF-E
	Procon BACnet and Modbus Interface	PAC-UKPRC001-CN-1
	Thermostat Interface for 3rd Party Thermostats	PAC-US445CN-1
	Wireless Interface Adapter for the Comfort app	PAC-USWHS002-WF-2
	Condensate	Blue Diamond Advanced Mini Condensate Pump w Reservoir Sensor 208230V recommended
Blue Diamond MaxiBlue Advanced Mini Condensate Pump w Reservoir Sensor 110V up to 48000 BTUH recommended		X87-711
Blue Diamond MegaBlue Advanced Condensate Pump w Reservoir Sensor		X87-835
Blue Diamond MicroBlue Mini Condensate Pump 110/208230V up to 18000 BTUH		X86-003
Blue Diamond Sensor Extension Cable 15 Ft		C13-103
Drain Pan Level SensorControl		SS610E
Fascia Kit for MicroBlue Pump mounts the MicroBlue and sensor directly beneath indoor unit		T18-016
Refco Condensate Pump 100-240 VAC up to 120000 BTUH		COMBI
Refco Condensate Pump 100-240 VAC		GOBI-II
REFCO PUMP 100-240 VAC 5060 HZ		X86-011
Sauermann Condensate Pump		SI30-230
Wireless Remote Controller	Lockdown Bracket for Wireless Handheld Remote Controllers	RCMKP1CB
	RedLINK Wireless Remote Controller	MHK2
Disconnect Switch	30A600VUL fits 2 X 4 utility box - Black	TAZ-MS303
	30A600VUL fits 2 X 4 utility box - White	TAZ-MS303W
Remote Sensor	Remote Temperature Sensor for MFZ MLZ and MSZ models	M21EAA307
	Wireless temperature and humidity sensor for the Comfort app	PAC-USWHS003-TH-1
Drain Hose	Flexible Mini-Split Drain Hose	DRX-16
Wired Remote Controller	Deluxe Wired MA Remote Controller <sup>1</sup>	PAR-42MAAUB
	Simple Direct Wired Remote Controller	PAC-SDW01RC-1
	Simple MA Remote Controller <sup>1</sup>	PAC-YT53CRAU-J
	Touch MA Wired Remote Controller <sup>1</sup>	PAR-CT01MAU-SB
Power Supplies and Auxiliary Components	Backup Heat Relay Kit Adapter for CN24 or CN152 Connector	CN24RELAY-KIT-CM3
<p>NOTES</p> <p><sup>2</sup>Allows IDU Connection to MA Controller:                      Deluxe MA Remote Controller                      Simple MA Controller                      Touch MA Controller</p> <p><sup>1</sup>Requires MAC-334IF-E Interface to connect MA controller  <sup>1</sup>Requires MAC-334IF-E Interface to connect MA controller  <sup>1</sup>Requires MAC-334IF-E Interface to connect MA controller  <sup>1</sup>Requires MAC-334IF-E Interface to connect MA controller</p>		

## OUTDOOR UNIT ACCESSORIES: MUZ-WX18NL

Stand	18 Single Fan Stand	QSMS1801M
	24 Single Fan Stand	QSMS2401M
	Condenser Wall Bracket - Stainless Steel Finish	QSWBSS
	Condenser Wall Bracket	QSWB2000M-1
	Outdoor Unit 3-14 inch Mounting Base Pair - Plastic	DSD-400P
	Outdoor Unit Stand 12 High	QSMS1201M
Air Outlet Guide	Air Outlet Guide	MAC-881SG-E
Mounting Pad	Condensing Unit Mounting Pad 16 x 36 x 3	ULTRILITE1
Mini-Split Wire	14 Gauge 4 wire Armored MiniSplit Cable250 ft roll	SW144-250
	14 Gauge 4 wire Armored MiniSplit Cable50 ft roll	SW144-50
	14 Gauge 4 wire MiniSplit Cable250 ft roll	S144-250
	14 Gauge 4 wire MiniSplit Cable50 ft roll	S144-50
Snow/Rain Diverter	SnowRain Diverter	SRD-1
Control/Service Tool	M- & P-Series Maintenance Tool Cable Set	M21EC0397
	Maintenance Tool Interface	PAC-USCMS-MN-1
Drain Socket	Drain Socket	MAC-871DS
Hail Guards	Hail Guard	HG-B4
NOTES		

# INDOOR UNIT DIMENSIONS: MSZ-WX18NL

MSZ-WX09NL- U1  
 MSZ-WX12NL- U1  
 MSZ-WX18NL- U1



MSZ-WX09/12NL-U1

PIPING	INSULATION	φ1-15/32 O.D
	LIQUID LINE	φ1/4 - 19-11/16 (FLARED CONNECTION φ1/4)
	GAS LINE	φ3/8 - 17-23/32 (FLARED CONNECTION φ3/8)
DRAIN HOSE		INSULATION φ1-5/32 CONNECTED PART φ5/8 O.D

MSZ-WX18NL-U1

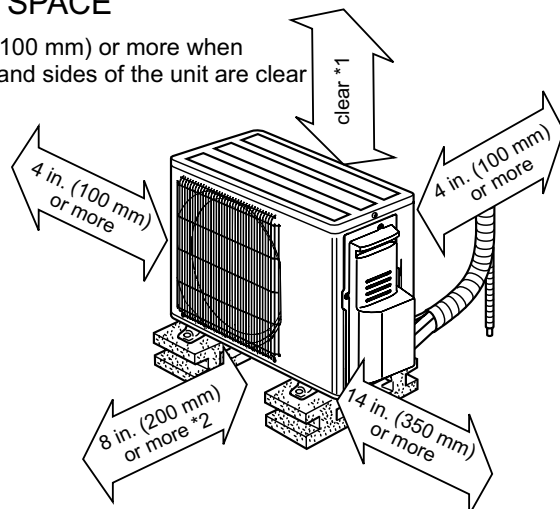
PIPING	INSULATION	φ1-15/32 O.D
	LIQUID LINE	φ1/4 - 19-11/16 (FLARED CONNECTION φ1/4)
	GAS LINE	φ3/8 - 17-23/32 (FLARED CONNECTION φ1/2)
DRAIN HOSE		INSULATION φ1-5/32 CONNECTED PART φ5/8 O.D

# OUTDOOR UNIT DIMENSIONS: MUZ-WX18NL

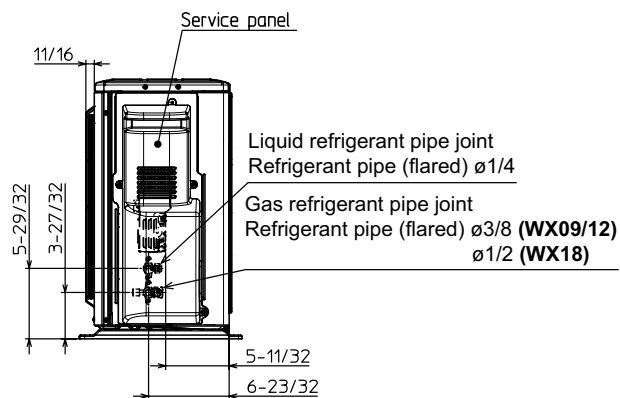
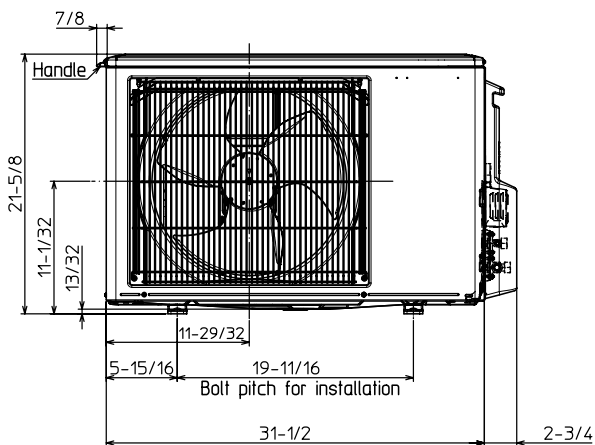
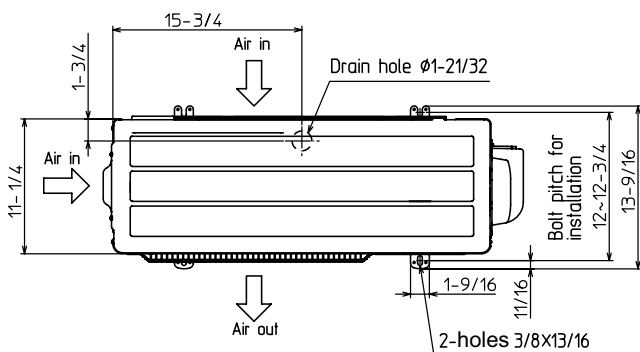
**MUZ-WX09NL-U1**  
**MUZ-WX12NL-U1**  
**MUZ-WX18NL-U1**

## REQUIRED SPACE

\*1 4 in. (100 mm) or more when front and sides of the unit are clear



\*2 When any 2 sides of left, right and rear of the unit are clear



### MUZ-WX09/12NL

REFRIGERANT PIPE JOINT	LIQUID REFRIGERANT PIPE	FLARED 1/4"
	GAS REFRIGERANT PIPE	FLARED 3/8"

### MUZ-WX18NL

REFRIGERANT PIPE JOINT	LIQUID REFRIGERANT PIPE	FLARED 1/4"
	GAS REFRIGERANT PIPE	FLARED 1/2"