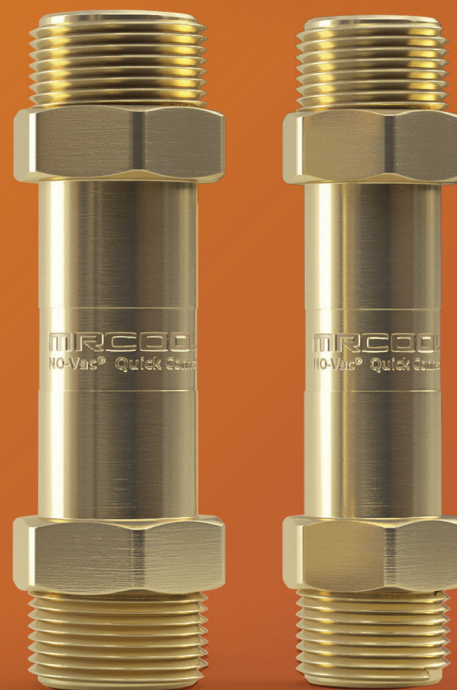


# MRCOOL® DIY® COUPLER

FOR THE DIY® QUICK-CONNECT® LINESET

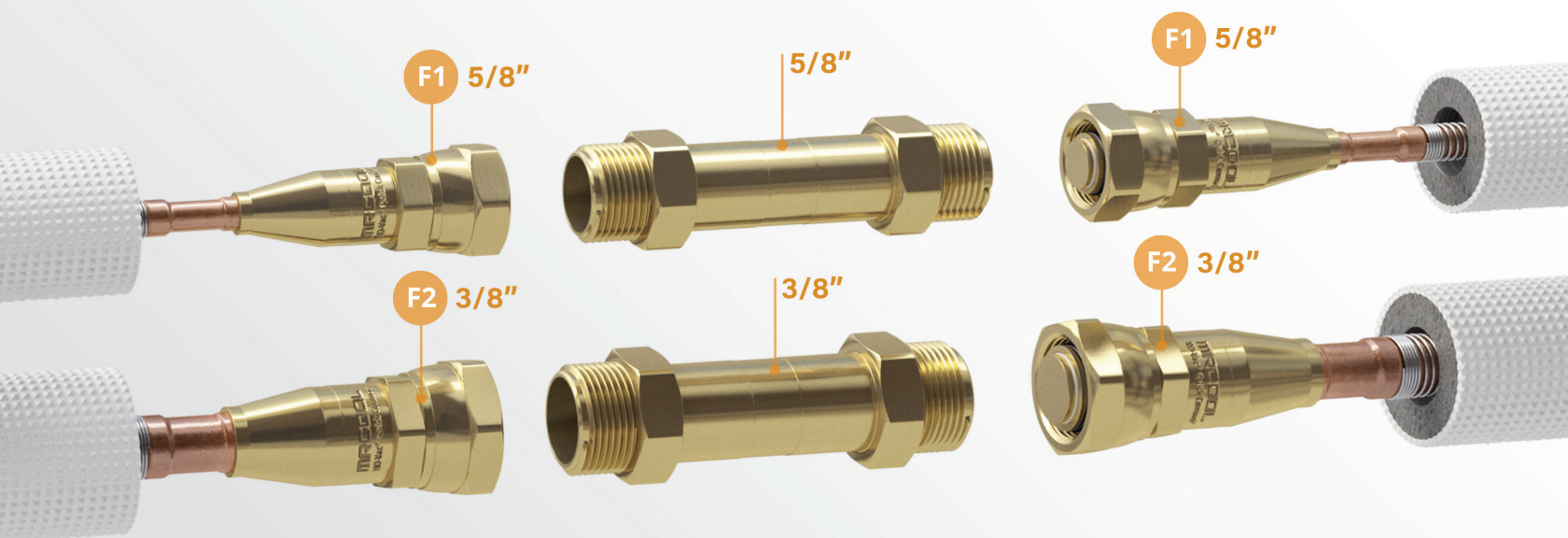
When one standard size **DIY® QUICK CONNECT® LINE SET** is not long enough, two standard **QUICK CONNECT® LINE SETS** can be combined using our **DIY® COUPLER** to increase the desired length of the **QUICK CONNECT® LINE SETS**.



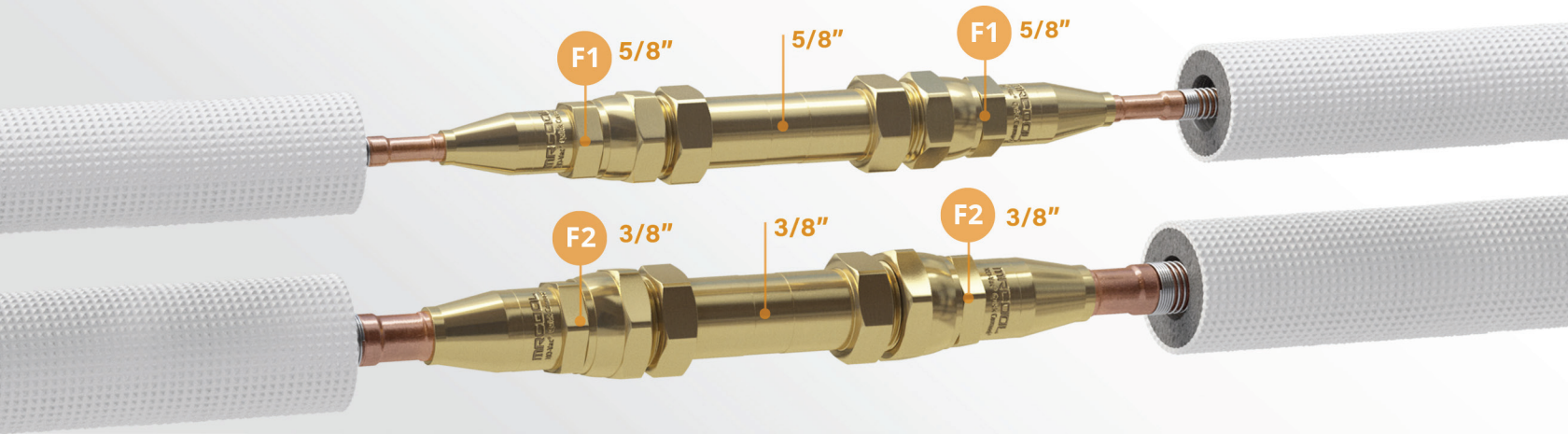
DIYCOUPLER- 38    DIYCOUPLER-58

## PLEASE READ CAREFULLY AND FOLLOW THE INSTRUCTIONS BELOW:

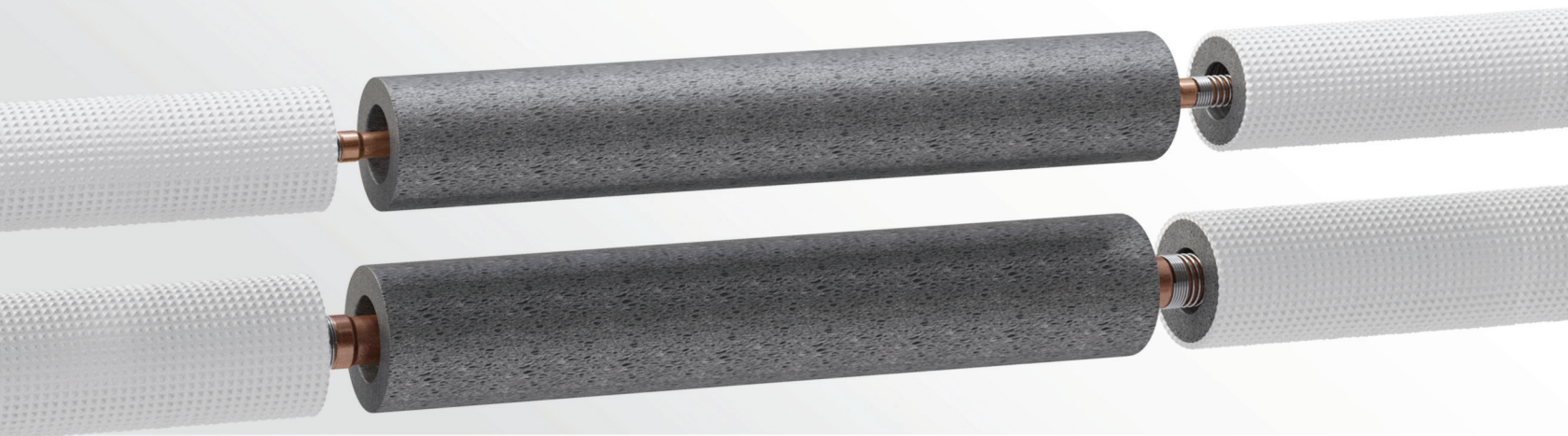
- 1 Select the **DIY® QUICK CONNECT® LINE SET** size to be lengthened (3/8 or 5/8). Then select the second standard line set with corresponding specifications for combined connection using the coupler (as shown below).



**2** Use a **wrench** to assemble the coupler with both F1 and F2 on the corresponding lineset. Make sure the **thread is screwed** to the bottom until it **stops** (as shown below).



**3** After the connection is complete, **cover** the F1, F2, and coupler connections with the **grey insulating sleeve** to help prevent condensation (as shown below).



**4** Slide the insulation sleeves together ensuring no copper wiring is exposed and secure in place using tape.

