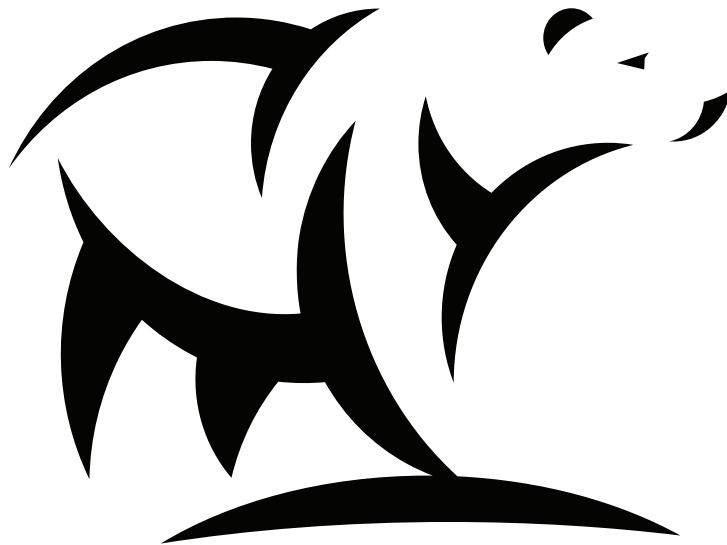


Please read this manual carefully before installation and keep it for future reference.

Owner & Installation Manual



MRCOOL®

COMFORT MADE SIMPLE

PRODIRECT

Electric Heat Kit

Model: PHK**H

Due to updates and constantly improving performance, the information and instructions within this manual are subject to change without notice. Please visit www.mrcool.com/documentation to ensure you have the latest version of this manual.

Version Date: 6-22-22

Thank you for choosing MRCOOL. Please read this manual carefully before installation and keep it for future reference.

Copyright © 2021 MRCOOL, LLC

Table Of Contents

1	Preperation Before Install	1
2	Install Electrical Heating Components	2
3	Wiring Diagrams	5

CAUTION

1. Ensure that all power supplies are disconnected prior to installing the heat kit.
2. Check heat kit for physical damage. Do not install a damaged heat kit.
3. A means of strain relief and conductor protection must be provided at the supply wire entrance into cabinet.
4. Only use copper conductors.
5. Installation must follow National Electric Code (NEC) and other applicable codes.

Compatible Heat Kits

Kit #.	Description	Unit Capacity Compatibility
PHK05H	5kW heat strip	18K/24K/30K/36K/42K/48K/60K
PHK07H	7.5kW heat strip	18K/24K/30K/36K/42K/48K/60K
PHK10H	10kW heat strip	24K/30K/36K/42K/48K/60K
PHK15H	15kW heat strip	36K/42K/48K/60K
PHK20H	20kW heat strip	48K/60K



IMPORTANT

You must use a compatible heat kit listed in the chart above. Using an incorrectly sized heat kit could cause the unit to overheat and/or cause equipment damage.

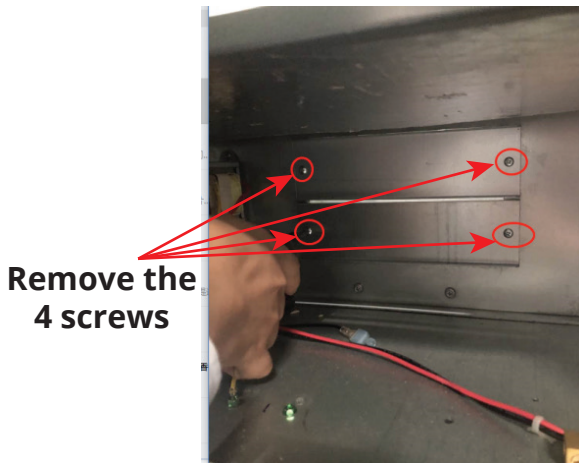
Preparation Before Installation

1

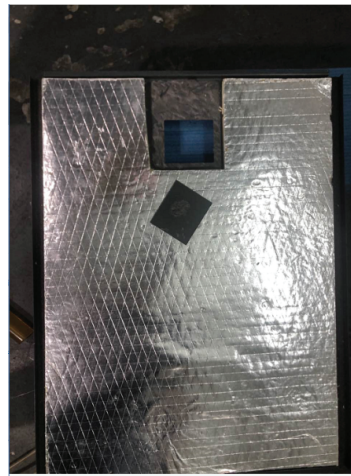
1.) Remove the upper side panel of the air handler.



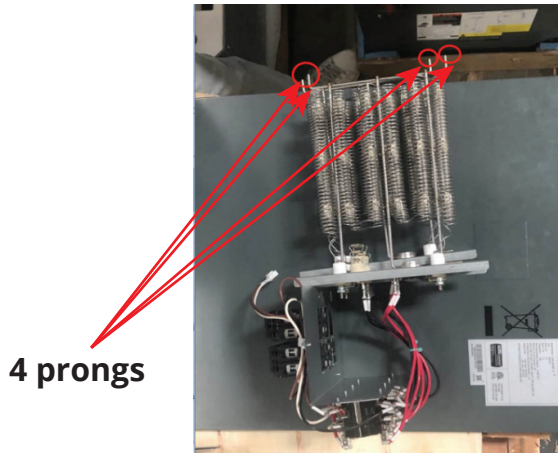
2.) Remove the air duct sealing plate by removing the 4 retaining screws.



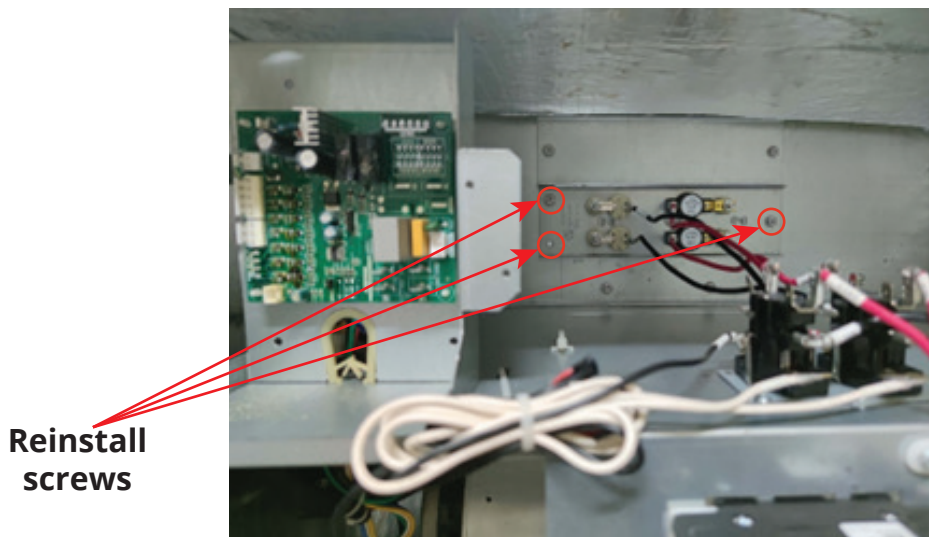
3.) Knock out the covered hole on the front panel.



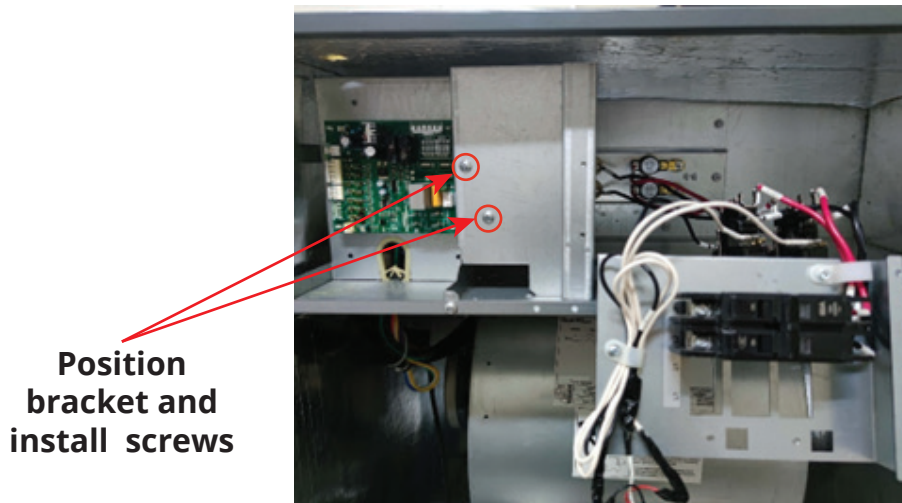
- 1.) Insert the electric heat kit into the air duct installation hole and align the 4 prongs on the end of the heat kit with the corresponding 4 holes on the opposite side of the air duct hole.



- 2.) Reinstall screws to fasten the heat kit element to the air duct.



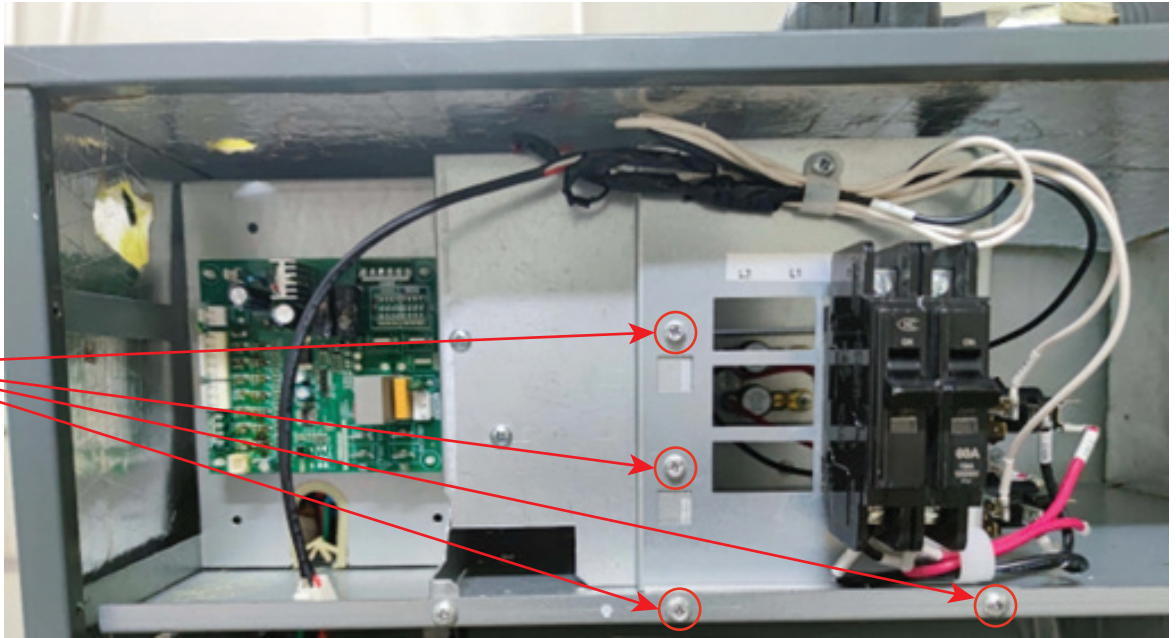
- 3.) Fasten heat kit electrical board bracket to air handler by installing 2 screws.



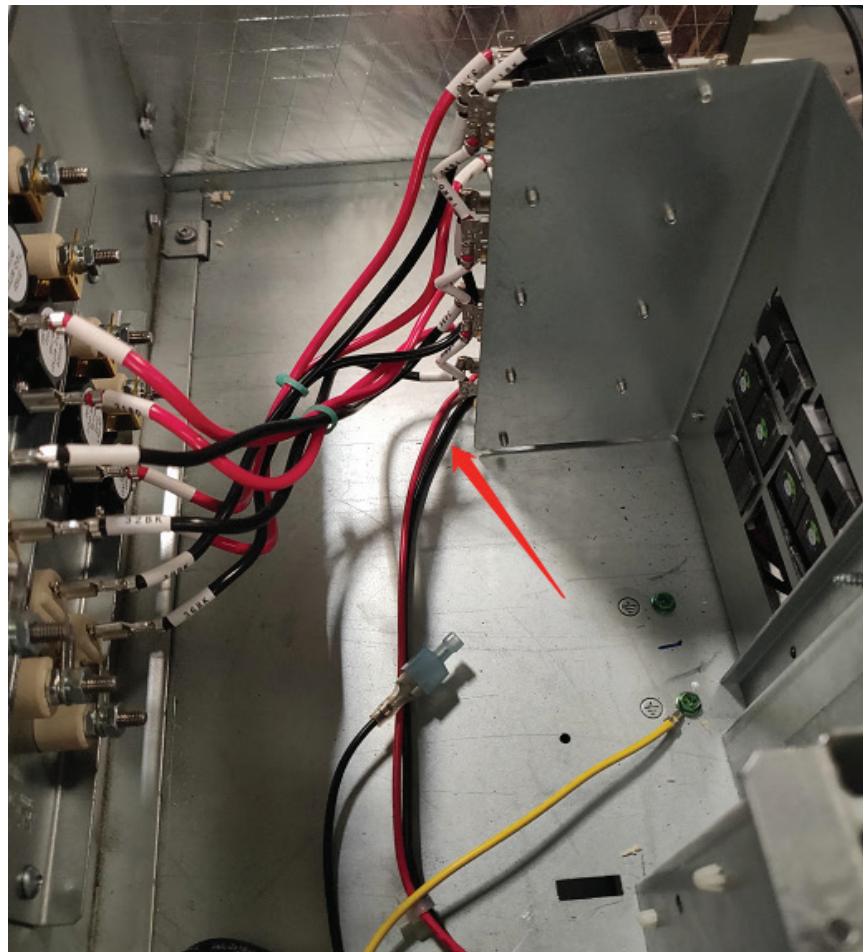
Installing Electric Heating Components

4.) Position the heat kit electrical board on the bracket and fasten with 4 screws.

Fasten electrical board to bracket with 4 screws



NOTE: When installing the electrical installation board, pay attention to the indoor unit power cord and make sure it does not hang or snag on the sharp edges of the sheet metal heat kit bracket. Please refer to the image below.



Installing Electric Heating Components

- 5.) Insert electric heat kit connector into the correct terminal on the air handler main board.

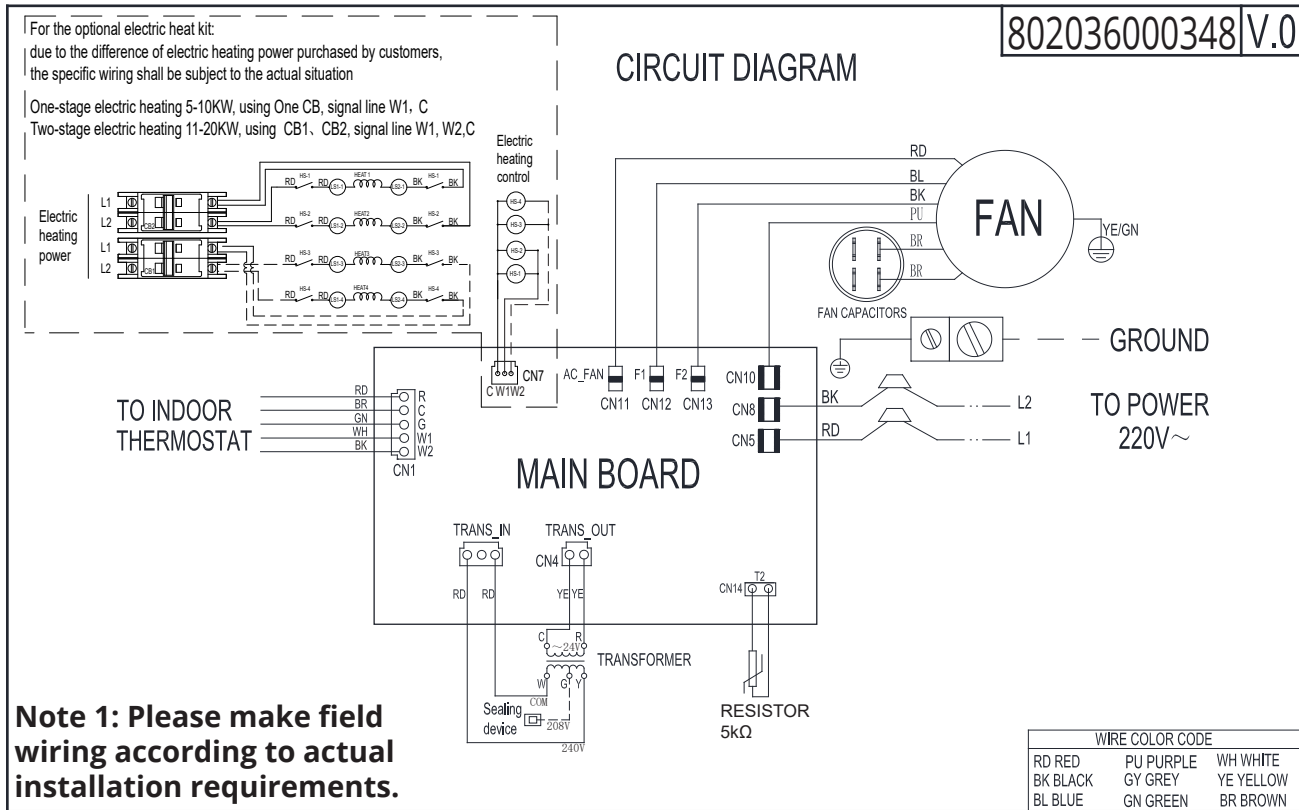
Electric Heat Kit wiring connector inserted into correct terminal on air handler main board



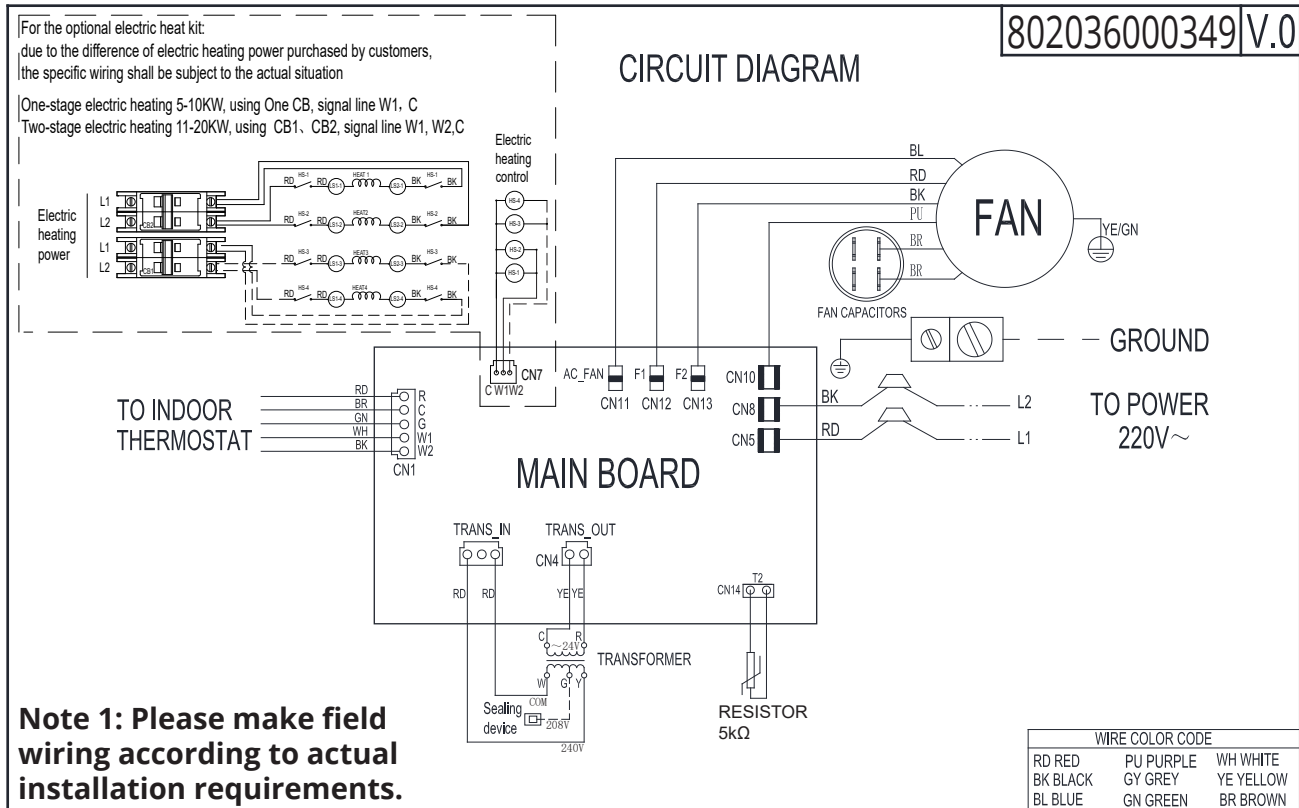
- 6.) Reinstall the upper side panel. The switches for the heat kit should protrude through the hole you knocked out of the panel. Then, turn on the power and check operation.



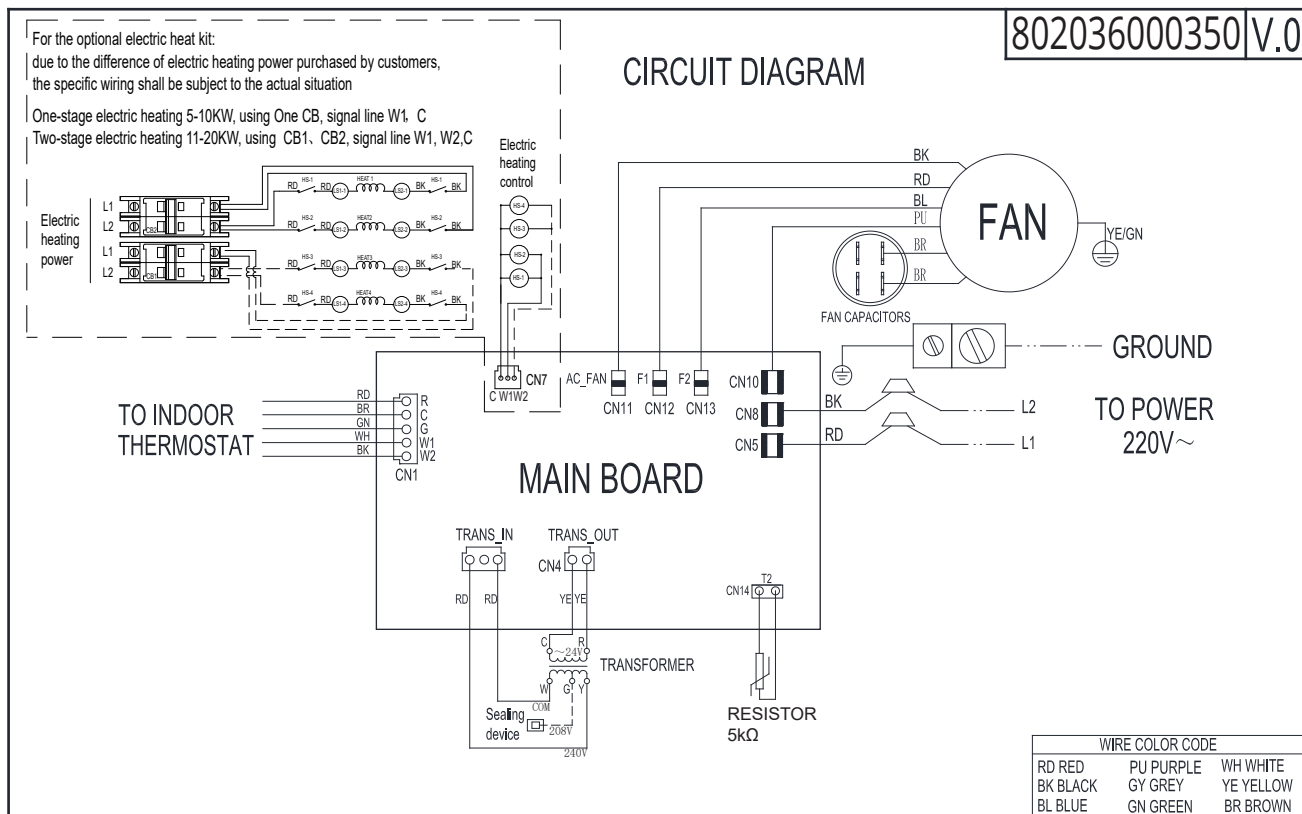
Wiring Diagrams for each model with Heat Kit Installed 1.) 53 Model (18K/24K/30K/36K/42K)



2.) 140 Model (48K)

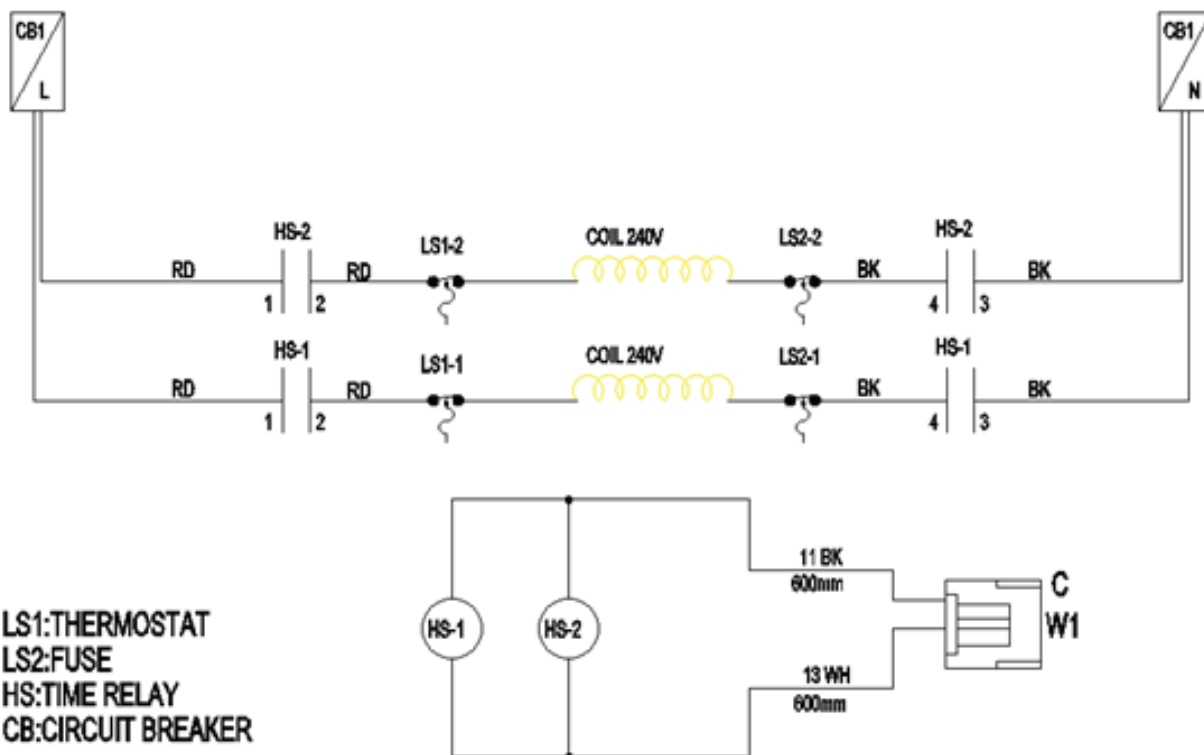


3.) 160 Model (60K)

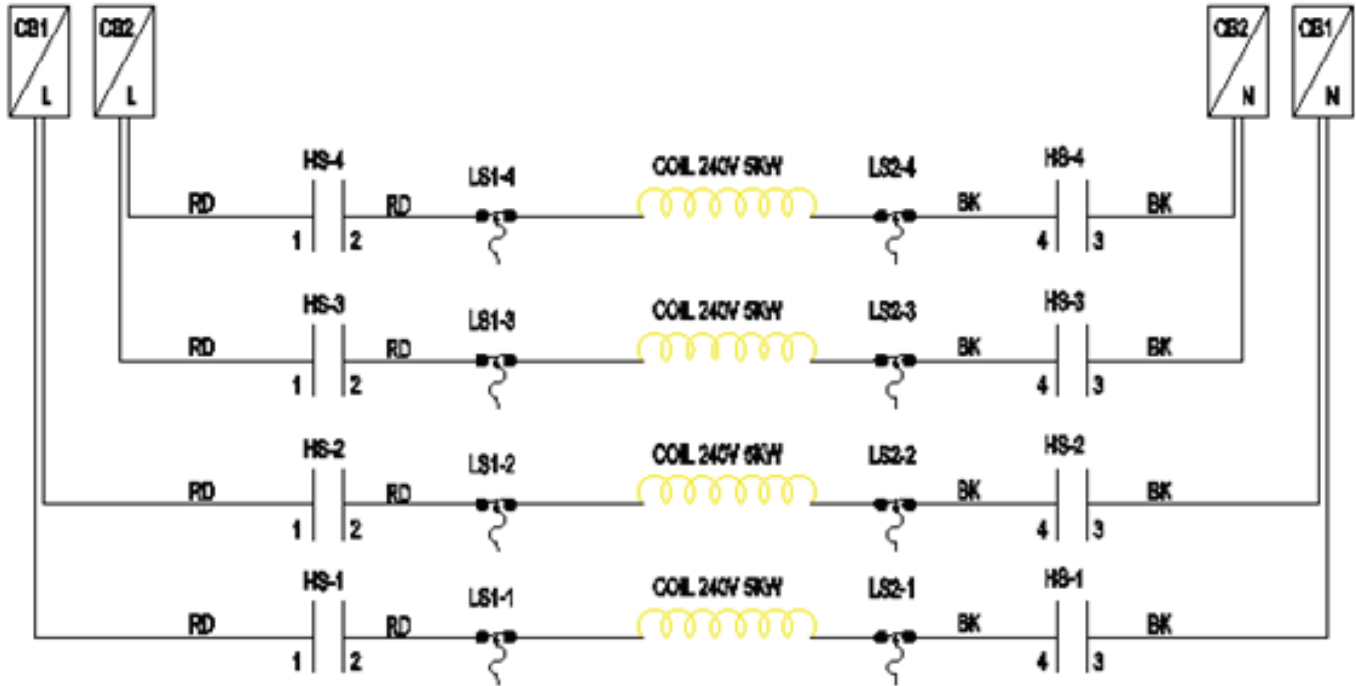


Schematic diagrams of electric heating components

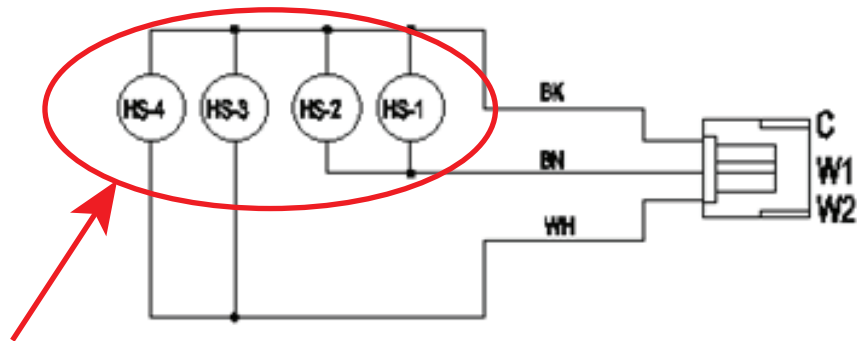
1.) 5-10KW Heat Kit



2.) 11-20KW Heat Kit



LS1:THERMOSTAT
LS2:FUSE
HS:TIME RELAY
CB:CIRCUIT BREAKER



Note: The order of coils has been updated from previous electric heat kit.



MRCOOL®

COMFORT MADE SIMPLE

PRODIRECT
Electric Heat Kit

The design and specifications of this product and/or manual are subject to change without prior notice. Consult with the sales agency or manufacturer for details.