

RSH3(M,Q)E Series

**Up to 14.3 SEER2, 7.5 HSPF
Manufactured Housing System
High Efficiency Heat Pump**

2 – 4 Ton Capacity

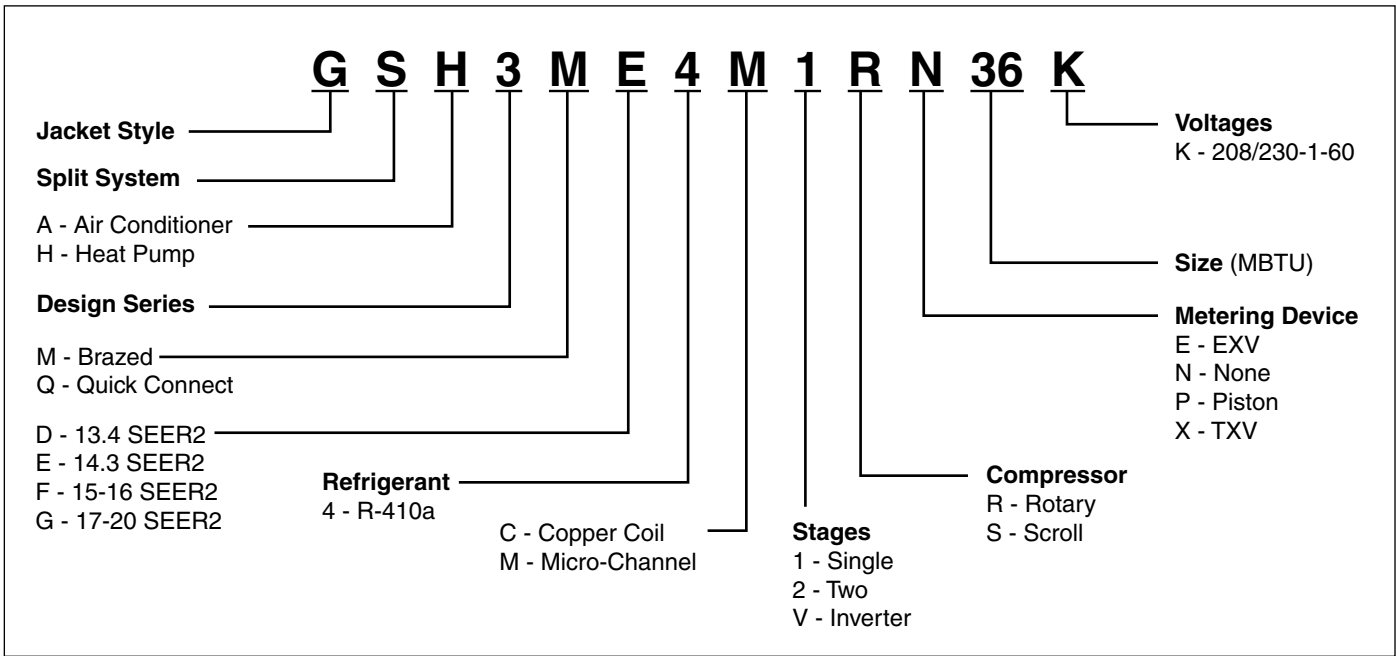
The RSH3(M,Q)E Series heat pump, when combined with our engineered coils or air handlers, offers a full line of quality, split system heating and cooling equipment. Units are ideally sized for slab or cantilever bracket installation.



FEATURES and BENEFITS

- **QE Models Offer Quick Connect Fittings:** Simplify the installation, no brazing, no evacuation required. Charged with refrigerant for 15 feet of lineset.
- **ME Models Offer Full Service Valves:** These brass valves are easily accessible and simplify servicing of the refrigeration system. Charged with refrigerant for 20 feet of lineset.
- **Patented Hot Gas Bypass Defrost** – Ensures that outdoor coil defrosts every time and only when necessary.
- **Full Service Valves** – Brass valves that are easily accessible and simplify servicing of the refrigeration system.
- **Designed Using Galvanized Steel:** A powder-coated paint that eliminates sharp edges and reduces corrosion, fading, chipping and scratching. It passes 950 hours of salt spray per ASTM Std. B117.
- **Composite Base Pan** – Absorbs sound and is corrosion resistant. Composite is also stronger and lighter than steel.
- **Designed for Manufacturing Housing** – The outdoor thermostat required by HUD is factory installed.
- **Removable Top Grille Assembly** – Allows ease of service from the top without disconnecting fan motor leads.
- **Suction Accumulator and Crankcase Heater** – Protection from liquid flood back and future compressor failures.
- **Hot Gas Muffler** – Reduces compressor noise and vibration.
- **Low Pressure Switch** – Loss of charge protection ensures long compressor life. Auto-reset feature prevents nuisance service visits.
- **High Pressure Switch** – Protects against abnormally high system pressures. Auto-reset feature prevents nuisance service visits.
- **Liquid Line Filter Drier** – Included with unit and field installed.
- **One-Piece Top/Orifice** – Designed for maximum airflow and quiet operation.
- **Easy Compressor and Control Access** – Designed to make servicing easier for the contractor, access panels are provided to all controls and the compressor from the side of the unit.
- **All-Aluminum Coils** – Aluminum coils in all models which provides high corrosion resistance.
- **Powder Coated Wire Guard and Mesh Hail Guard** – Will never rust and protects the coil from being damaged.
- **Common Suction Service Port** – This port allows the contractor to read the suction pressure in all modes of operation without removing any panels, saving time and increasing serviceability.
- **Five Minute Restart Time Delay** – When the unit shuts down, a five minute delay keeps the unit from restarting, eliminating the highest cause for compressor failure.

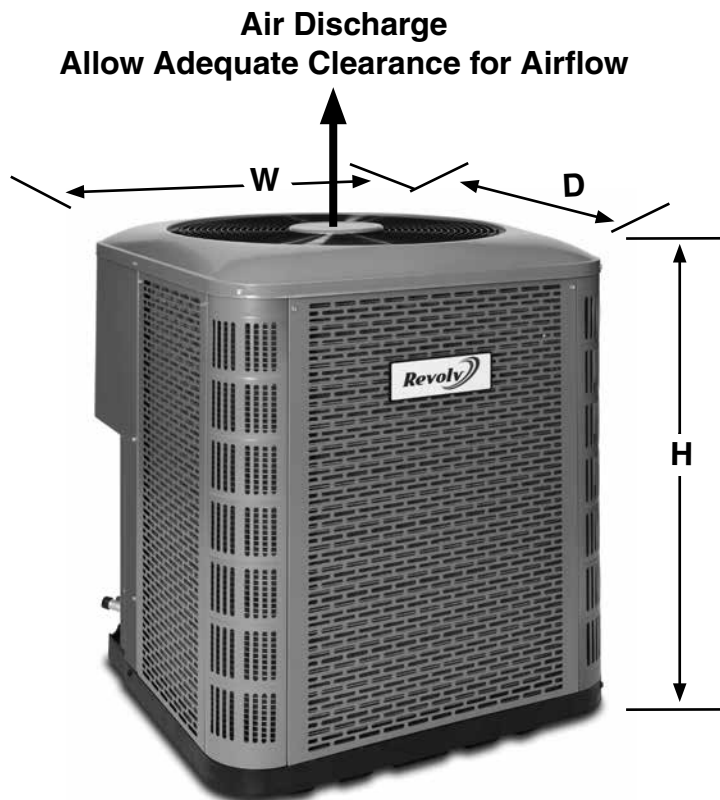
MODEL IDENTIFICATION CODES



DIMENSIONS

AIR CONDITIONER OUTDOOR SECTION

| RSH3(M,Q)E | 24K | 30K | 36K | 42K | 48K |
|------------|-------|-------|-------|-------|-------|
| H | 35.00 | 39.00 | 39.00 | 39.00 | 39.00 |
| W | 30.75 | 30.75 | 30.75 | 30.75 | 30.75 |
| D | 30.75 | 30.75 | 30.75 | 30.75 | 30.75 |



PHYSICAL AND ELECTRICAL SPECIFICATIONS / OUTDOOR UNITS

14.3 SEER2 — High Efficiency — Single Phase

| Model Number RSH3(M,Q)E | | 1RN24K | 1RN30K | 1SN36K | 1SN42K | 1SN48K |
|---|------------------------|----------------------------|--------|----------|--------|--------|
| Electrical Data | Volts-Cycles-Phase (1) | 208/230 Volts Single Phase | | | | |
| | Delay Fuse Max. (2) | 20 | 25 | 30 | 40 | 40 |
| | Min. Circuit Ampacity | 12.4 | 15.0 | 18.7 | 23.6 | 26.3 |
| | Fan Motor | HP | 1/8 | 1/8 | 1/5 | 1/4 |
| Refrigerant suction line O.D. NOTE: Liquid line is 3/8" O.D. for entire length. | 0-24 ft. | 3/4" | 3/4" | 3/4" | 7/8" | 7/8" |
| | 25-39 ft. | 3/4" | 3/4" | 7/8" (3) | 7/8" | 7/8" |
| | 40-75 ft. | 3/4" | 3/4" | 7/8" (3) | 7/8" | 7/8" |
| Approximate Shipping Weight (lbs.) | | 125 | 165 | 169 | 201 | 218 |
| Sound Rating dBA | | 75 | 75 | 75 | 79 | 79 |

(1) Operating Voltage Range: 187v min. - 253v max.

(2) HACR Type Circuit Breakers may be used.

(3) Requires 7/8" to 3/4" reducer from line to unit.

(4) Requires 7/8" to 1-1/8" reducer from line to unit.

ACCESSORIES - Condensing Unit

Start Assist Kit - 912933

Provides additional starting torque for the compressor motor when operating with low line voltage or high operating temperatures.

SYSTEM HEATING AND COOLING CAPACITIES

14.3 SEER2 — High Efficiency — Single Phase

| Outdoor Unit | Indoor Unit | SEER2 | EER2 | Capacity @ 95° F | Capacity @ 47° F | Capacity @ 17° F | HSPF2 | CFM |
|----------------|---|-------|------|------------------|------------------|------------------|-------|------|
| RSH3ME4M1RP24K | C84DAMX24U-B | 14.3 | 11.8 | 23,400 | 23,400 | 14,000 | 7.5 | 840 |
| RSH3ME4M1RP30K | C84DAMX30U-B | 14.3 | 11.8 | 30,000 | 30,000 | 18,000 | 7.5 | 980 |
| RSH3ME4M1SP36K | C84DAMX36U-B | 14.3 | 11.8 | 34,000 | 35,400 | 22,200 | 7.5 | 1250 |
| RSH3ME4M1RP42K | C84DAMX43U-B | 14.3 | 11.8 | 39,000 | 41,000 | 25,000 | 7.5 | 1225 |
| RSH3ME4M1SP48K | C84DAMX49U-B + E7EM-0XXH1 + 4T blower kit | 14.3 | 11.8 | 44,500 | 46,500 | 28,000 | 7.5 | 1550 |
| RSH3QE4M1RP24K | C84QAMX24U-B | 14.3 | 11.8 | 23,400 | 23,400 | 14,000 | 7.5 | 840 |
| RSH3QE4M1RP30K | C84QAMX30U-B | 14.3 | 11.8 | 30,000 | 30,000 | 18,000 | 7.5 | 980 |
| RSH3QE4M1SP36K | C84QAMX36U-B | 14.3 | 11.8 | 34,000 | 35,400 | 22,200 | 7.5 | 1250 |
| RSH3QE4M1RP42K | C84QAMX43U-B | 14.3 | 11.8 | 39,000 | 41,000 | 25,000 | 7.5 | 1225 |
| RSH3QE4M1SP48K | C84QAMX49U-B + E7EM-0XXH1 + 4T blower kit | 14.3 | 11.8 | 44,500 | 46,500 | 28,000 | 7.5 | 1550 |

All ratings are with time delay relay.

See current AHRI Directory for certified combinations and ratings.

www.ahridirectory.org



GENERAL TERMS OF LIMITED WARRANTY

For complete details of the Limited Warranty, including applicable terms and conditions, see your local installer or contact the Style Crest® warranty department for a copy.

Before purchasing this appliance, read important energy cost and efficiency information available from your retailer. Specifications and illustrations subject to change without notice and without incurring obligations. Printed in U.S.A (08/2022)