

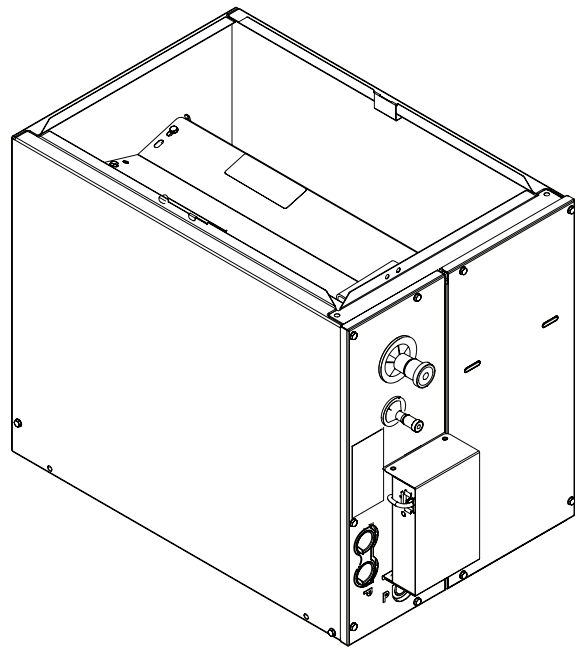


TRANE®

Cased Aluminum Coils Dedicated Upflow / Downflow

5PXC

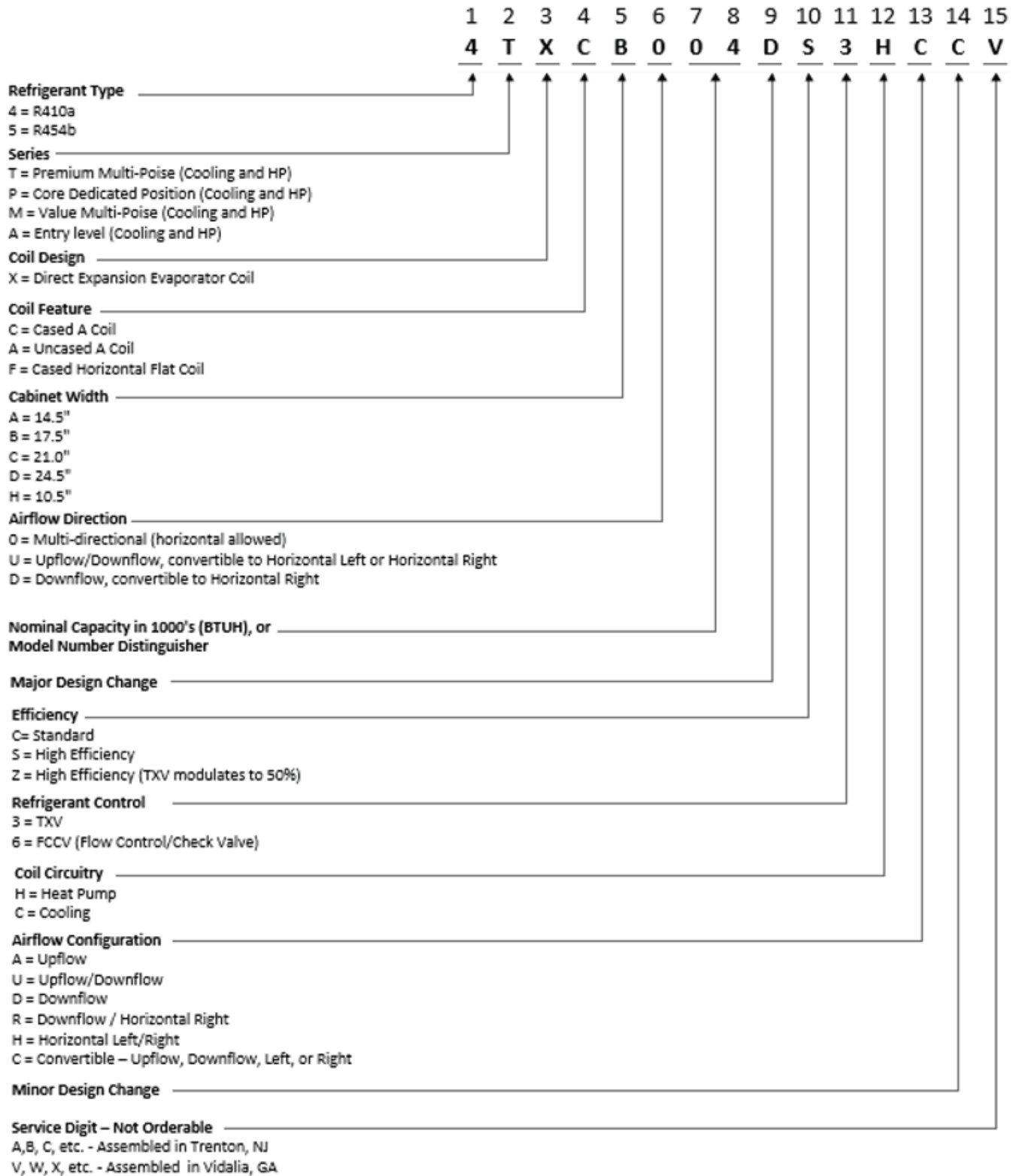
Heat Pump / Cooling Coils for R-454B
2 – 5 Ton



22-2017-1A-EN



Aluminum Heat Pump Coil Nomenclature





General Data

PRODUCT SPECIFICATIONS^[1] -- 5PXC – SPLIT SYSTEM HEAT PUMP / COOLING CASED DEDICATED UPFLOW / DOWNFLOW COILS ^[2]

Model	5PXCA001AS3HAA	5PXCA002AS3HAA	5PXC003AS3HAA	5PXC004AS3HAA
Indoor coil – Type	Plate Fin	Plate Fin	Plate Fin	Plate Fin
Cooling capacity (tons)	1.5 - 2.0	1.5 - 3.0	1.5 - 3.0	2.0 - 3.5
Rows/FPI	2 / 20	2 / 20	3 / 14	3 / 12
Face Area (sq. ft.)	3	4.5	3.5	5
Tube size	3/8	3/8	3/8	3/8
Refrigerant control	Non-Bleed TXV	Non-Bleed TXV	Non-Bleed TXV	Non-Bleed TXV
Internal check valve	Yes	Yes	Yes	Yes
Drain Conn. Size (in.)	3/4	3/4	3/4	3/4
Duct connections	See outline drawing	See outline drawing	See outline drawing	See outline drawing
Refrigerant connections	R-454B BRAZED	R-454B BRAZED	R-454B BRAZED	R-454B BRAZED
Line size - Gas (in)	3/4	3/4	3/4	7/8
Line size - Liquids (in)	3/8	3/8	3/8	3/8
Dimensions (in)	H x W X D	H x W X D	H x W X D	H x W X D
Crated (H x W x D)	20.75 x 19 x 27.66	25.75 x 19 x 27.66	20.75 x 22 x 27.66	25.75 x 22 x 27.66
Uncrated	17.5 x 14.5 x 21.5	22.5 x 14.5 x 21.5	17.5 x 17.5 x 21.5	22.5 x 17.5 x 21.5
Weight (lbs) Shipping - Net	39	43	47	54

Model	5PXCC005AS3HAA	5PXC006AS3HAA	5PXCC007AS3HAA	5PXC008AS3HAA
Indoor coil – Type	Plate Fin	Plate Fin	Plate Fin	Plate Fin
Cooling capacity (tons)	2.0 - 4.0	2.0 - 5.0	3.0 - 5.0	3.0 - 5.0
Rows/FPI	3 / 12	3 / 14	3 / 14	3 / 14
Face Area (sq. ft.)	5	6	6	6
Tube size	3/8	3/8	3/8	3/8
Refrigerant control	Non-Bleed TXV	Non-Bleed TXV	Non-Bleed TXV	Non-Bleed TXV
Internal check valve	Yes	Yes	Yes	Yes
Drain Conn. Size (in.)	3/4	3/4	3/4	3/4
Duct connections	See outline drawing	See outline drawing	See outline drawing	See outline drawing
Refrigerant connections	R-454B BRAZED	R-454B BRAZED	R-454B BRAZED	R-454B BRAZED
Line size - Gas (in)	7/8	7/8	7/8	7/8
Line size - Liquids (in)	3/8	3/8	3/8	3/8
Dimensions (in)	H x W X D	H x W X D	H x W X D	H x W X D
Crated (H x W x D)	25.75 x 25.5 x 27.66	30.125 x 22 x 27.66	30.125 x 25.5 x 27.66	30.125 x 29 x 27.66
Uncrated	22.5 x 21 x 21.5	26.875 x 17.5 x 21.5	26.875 x 21 x 21.5	26.875 x 24.5 x 21.5
Weight (lbs) Shipping - Net	56	61	64	68

[1] These indoor coils are A.H.R.I. certified with various split system air conditioners and heat pumps (A.H.R.I. Standard 210/240). Refer to the Split System Outdoor product information site or www.ahrinet.org

[2] Convertible to Horizontal Left with Kit



General Data

PRODUCT SPECIFICATIONS^[1] -- 5PXC – SPLIT SYSTEM HEAT PUMP / COOLING CASED DEDICATED UPFLOW / DOWNFLOW COILS^[2]

Model	5PXCC009AS3HAA	5PXCD010AS3HAA
Indoor coil – Type	Plate Fin	Plate Fin
Cooling capacity (tons)	3.0 - 5.0	3.0 - 5.0
Rows/FPI	3 / 16	3 / 16
Face Area (sq. ft.)	7	7
Tube size	3/8	3/8
Refrigerant control	Non-Bleed TXV	Non-Bleed TXV
Internal check valve	Yes	Yes
Drain Conn. Size (in.)	3/4	3/4
Duct connections	See outline drawing	See outline drawing
Refrigerant connections	R-454B BRAZED	R-454B BRAZED
Line size - Gas (in)	7/8	7/8
Line size - Liquids (in)	3/8	3/8
Dimensions (in)	H x W X D	H x W X D
Crated (H x W x D)	34 x 25.5 x 27.66	34 x 29 x 27.66
Uncrated	30.75 x 21 x 21.5	30.75 x 24.5 x 21.5
Weight (lbs)		
Shipping - Net	73	77

[1] These indoor coils are A.H.R.I. certified with various split system air conditioners and heat pumps (A.H.R.I. Standard 210/240). Refer to the Split System Outdoor product information site or www.ahrinet.org

[2] Convertible to Horizontal Left with Kit



General Data

PRODUCT SPECIFICATIONS^[1] -- 5PXC – SPLIT SYSTEM HEAT PUMP / COOLING CASED DEDICATED DOWNFLOW ONLY COILS^[2]

Model	5PXCBD03AS3HDA	5PXCBD04AS3HDA	5PXCCD05AS3HDA	5PXCBD06AS3HDA
Indoor coil – Type	Plate Fin	Plate Fin	Plate Fin	Plate Fin
Cooling capacity (tons)	1.5 - 3.0	2.0 - 3.5	2.0 - 3.5	2.0 - 5.0
Rows/FPI	3 / 14	3 / 12	3 / 12	3 / 14
Face Area (sq. ft.)	3.5	5	5	6
Tube size	3/8	3/8	3/8	3/8
Refrigerant control	Non-Bleed TXV	Non-Bleed TXV	Non-Bleed TXV	Non-Bleed TXV
Internal check valve	Yes	Yes	Yes	Yes
Drain Conn. Size (in.)	3/4	3/4	3/4	3/4
Duct connections	See outline drawing	See outline drawing	See outline drawing	See outline drawing
Refrigerant connections	R-454B BRAZED	R-454B BRAZED	R-454B BRAZED	R-454B BRAZED
Line size - Gas (in)	3/4	7/8	7/8	7/8
Line size - Liquids (in)	3/8	3/8	3/8	3/8
Dimensions (in)	H x W X D	H x W X D	H x W X D	H x W X D
Crated (H x W x D)	20.75 x 22 x 27.66	25.75 x 22 x 27.66	25.75 x 25.5 x 27.66	30.125 x 22 x 27.66
Uncrated	17.5 x 17.5 x 21.5	22.5 x 17.5 x 21.5	22.5 x 21 x 21.5	26.875 x 17.5 x 21.5
Weight (lbs) Shipping - Net	47	54	56	61

Model	5PXCCD07AS3HDA	5PXCCD09AS3HDA	5PXCCD10AS3HDA
Indoor coil – Type	Plate Fin	Plate Fin	Plate Fin
Cooling capacity (tons)	3.0 - 5.0	3.0 - 5.0	3.0 - 5.0
Rows/FPI	3 / 14	3 / 16	3 / 16
Face Area (sq. ft.)	6	7	7
Tube size	3/8	3/8	3/8
Refrigerant control	Non-Bleed TXV	Non-Bleed TXV	Non-Bleed TXV
Internal check valve	Yes	Yes	Yes
Drain Conn. Size (in.)	3/4	3/4	3/4
Duct connections	See outline drawing	See outline drawing	See outline drawing
Refrigerant connections	R-454B BRAZED	R-454B BRAZED	R-454B BRAZED
Line size - Gas (in)	7/8	7/8	7/8
Line size - Liquids (in)	3/8	3/8	3/8
Dimensions (in)	H x W X D	H x W X D	H x W X D
Crated (H x W x D)	30.125 x 25.5 x 27.66	34 x 25.5 x 27.66	34 x 29 x 27.66
Uncrated	26.875 x 21 x 21.5	30.75 x 21 x 21.5	30.75 x 24.5 x 21.5
Weight (lbs) Shipping - Net	64	73	77

[1] These indoor coils are A.H.R.I. certified with various split system air conditioners and heat pumps (A.H.R.I. Standard 210/240). Refer to the Split System Outdoor product information site or www.ahrinet.org

[2] Convertible to Horizontal Right with Kit



Performance Data

PRESSURE DROP CHARACTERISTICS FOR COOLING AND HEAT PUMP COILS AIRFLOW (SCFM) VS. PRESSURE DROP ACROSS WET COIL								
PRESSURE DROP (INCHES OF WATER COLUMN)								
MODEL	0.05	0.1	0.15	0.2	0.25	0.3	0.35	0.4
5PXCA001AS3HAA	225	340	430	510	585	650	715	775
5PXCA002AS3HAA	300	475	620	750	870	980	1085	1185
5PXC003AS3HAA	350	525	665	790	900	1000	1095	1185
5PXC004AS3HAA	440	655	825	970	1100	1220	1330	1435
5PXCC005AS3HAA	520	775	970	1145	1300	1440	1570	1695
5PXC006AS3HAA	430	645	815	965	1095	1220	1335	1445
5PXCC007AS3HAA	510	760	965	1140	1300	1445	1580	1710
5PXCD008AS3HAA	580	870	1100	1305	1485	1650	1805	1950
5PXCC009AS3HAA	490	740	945	1120	1280	1425	1565	1695
5PXCD010AS3HAA	555	835	1065	1265	1445	1615	1770	1915
5PXCBD03AS3HDA	340	510	645	760	870	965	1055	1140
5PXCBD04AS3HDA	435	645	810	950	1080	1200	1305	1410
5PXCCD05AS3HDA	510	760	955	1125	1275	1415	1540	1665
5PXCBD06AS3HDA	405	605	765	905	1035	1150	1255	1360
5PXCCD07AS3HDA	480	715	910	1075	1225	1360	1490	1610
5PXCCD09AS3HDA	480	720	920	1095	1250	1395	1525	1655
5PXCDD10AS3HDA	540	815	1040	1235	1410	1575	1725	1870



TRANE[®]

OUTLINE DRAWING

UPFLOW / DOWNFLOW MODELS: 5PXA001AS3HAA, 5PXC006AS3HAA, 5PXA002AS3HAA, 5PXC007AS3HAA, 5PXC003AS3HAA, 5PXC008AS3HAA, 5PXC009AS3HAA, 5PXC010AS3HAA, 5PXC005AS3HAA, 5PXC010AS3HAA and **DOWNFLOW ONLY MODELS:** 5PXCBD03AS3HDA, 5PXCBD04AS3HDA, 5PXC005AS3HDA, 5PXCBD06AS3HDA, 5PXC007AS3HDA, 5PXC009AS3HDA, 5PXC010AS3HDA

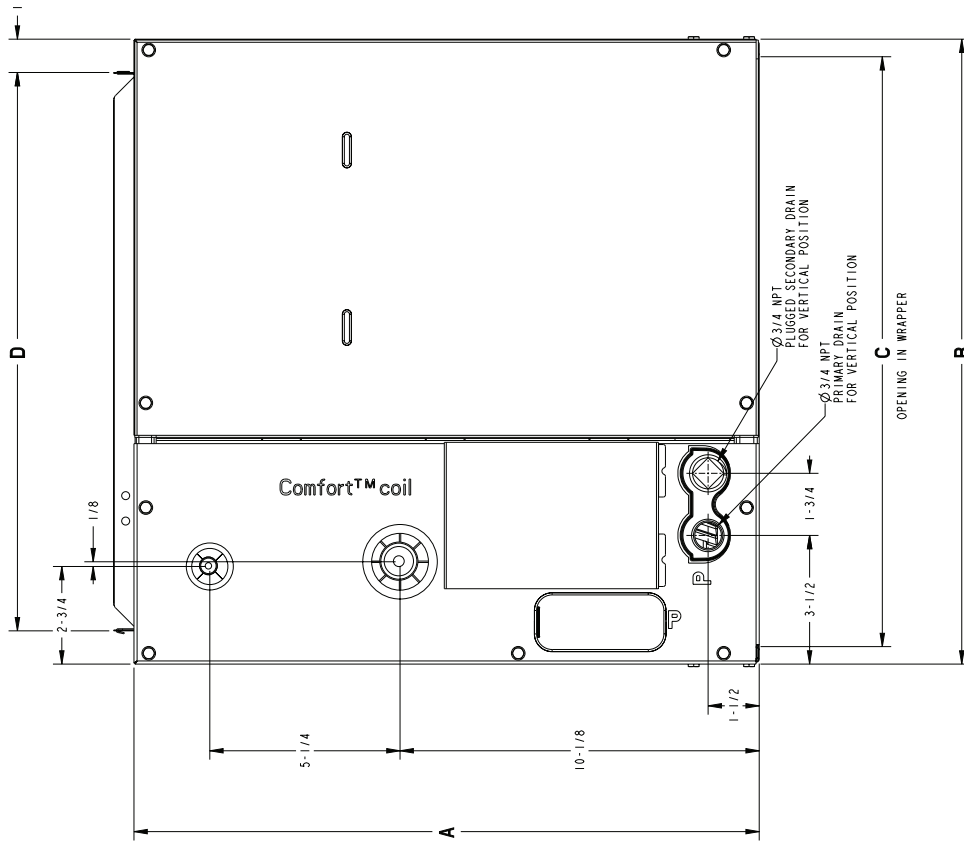


FIGURE B

From Dwg: D346913 RevA



General Data

HORIZONTAL CONVERSION KIT LISTED BY COIL MATCH

Model Number	Horizontal Kit No.
5PXCA001AS3HAA 5PXCBC003AS3HAA 5PXCBD03AS3HDA	BAYCONV18B
5PXCA002AS3HAA 5PXCBC004AS3HAA 5PXCC005AS3HAA 5PXCBD04AS3HDA 5PXCCD05AS3HDA	BAYCONV23B
5PXCBC006AS3HAA 5PXCC007AS3HAA 5PXCD008AS3HAA 5PXCBD06AS3HDA 5PXCCD07AS3HDA	BAYCONV27B
5PXCC009AS3HAA 5PXCD010AS3HAA 5PXCCD09AS3HDA 5PXCDD10AS3HDA	BAYCONV30C



Trane - by Trane Technologies (NYSE: TT), a global climate innovator - creates comfortable, energy efficient indoor environments for commercial and residential applications. For more information, please visit trane.com or tranetechnologies.com.

Trane has a policy of continuous data improvement and it reserves the right to change design and specifications without notice. We are committed to using environmentally conscious print practices.

22-2017-1A-EN 13 Dec 2024
Supersedes (New)

© 2024 Trane