

# INSTALLER'S GUIDE

18-CH84D1-1B-EN

ALL phases of this installation must comply with  
NATIONAL, STATE AND LOCAL CODES

## Dual Return Kit:

BAYLIFTB  
BAYLIFTC  
BAYLIFTD

Fits Models:

S-Series  
Furnaces

**IMPORTANT** – This Document is customer property and is to remain with this unit. Please return to service information pack upon completion of work.

### Section 1. Safety Information

#### ⚠ WARNING

**SAFETY HAZARD!** This information is intended for use by individuals possessing adequate backgrounds of electrical and mechanical experience. Any attempt to repair a central air conditioning product may result in personal injury and/or property damage. The manufacturer or seller cannot be responsible for the interpretation of this information, nor can it assume any liability in connection with its use.

#### ⚠ WARNING

**SAFETY HAZARD!** Sharp Edge Hazard. Be careful of sharp edges on equipment or any cuts made on sheet metal while installing or servicing. Personal injury may result.

**Important:** Do not screw, cut, or otherwise puncture the unit cabinet in any location other than those illustrated in this Installer's Guide or in an approved accessory's Installer's Guide.

**Important:** If applicable, make certain that the unit has been installed in a level position to ensure proper draining.

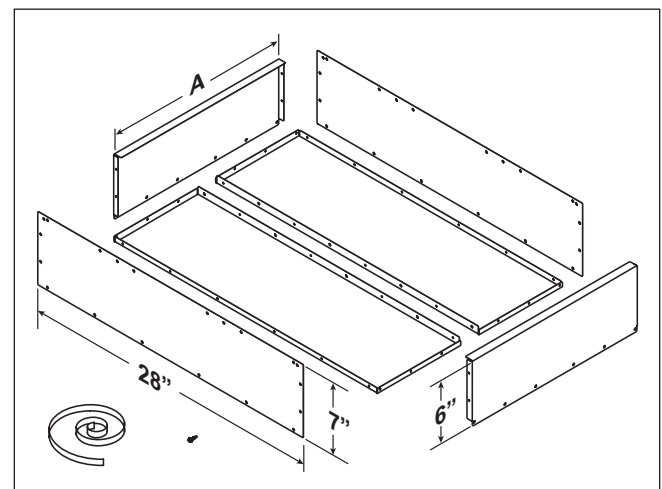
### Section 2. General Information

Open and inspect contents for damage or missing items.

Each kit will contain:

Qty	Description
2	- Flat Side Panel
2	- End Panel
2	- Bottom Panel
50	- Screws
1	- Gasketing
1	- Installer's Guide

Dual Return Kit Model	End Panel "A" Dimension
BAYLIFTB	17.75"
BAYLIFTC	21.25"
BAYLIFTD	24.75"



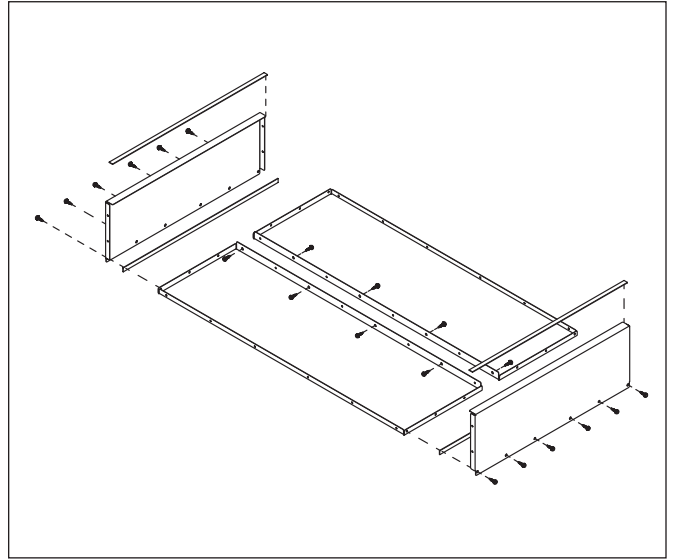
## Section 3. Assembly of the BAYLIFT

**STEP 1** - Using 8 screws, connect the two bottom panels together. Note that the screws should be attached in alternating directions.

**STEP 2** - Attach the gasket material to the bottom of the two end panels.

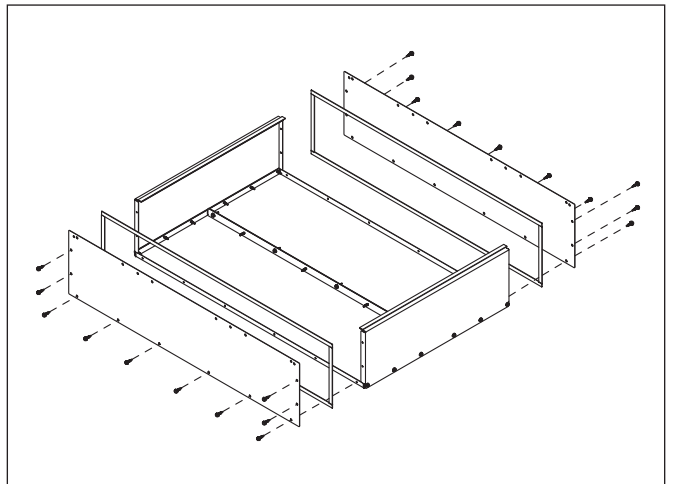
**STEP 3** - Using 6 screws per side, attach the end panels to the bottom panel assembly.

**STEP 4** - Attach gasket material to the top flange of the end panels as shown.

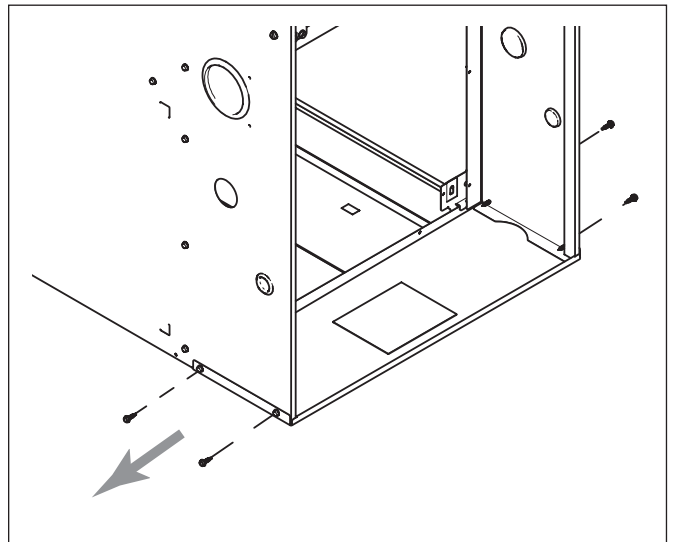


**STEP 5** - Attach gasket material to the inside perimeter of the two side panels as shown.

**STEP 6** - Using 10 screws per side, connect the two side panels to the bottom panel assembly.



**STEP 7** - Remove 4 screws (2 on each side) along the bottom of the furnace cabinet. Retain screws for later reuse.



4 top mounting holes will always match to cabinet hole locations. The last screw will be installed in one of three holes.

1 of 2 will match cabinet mount holes

No holes will match cabinet mount holes. Choose one and install drill point screw

2 of 3 will match cabinet mount holes

1 of 2 will match cabinet mount holes

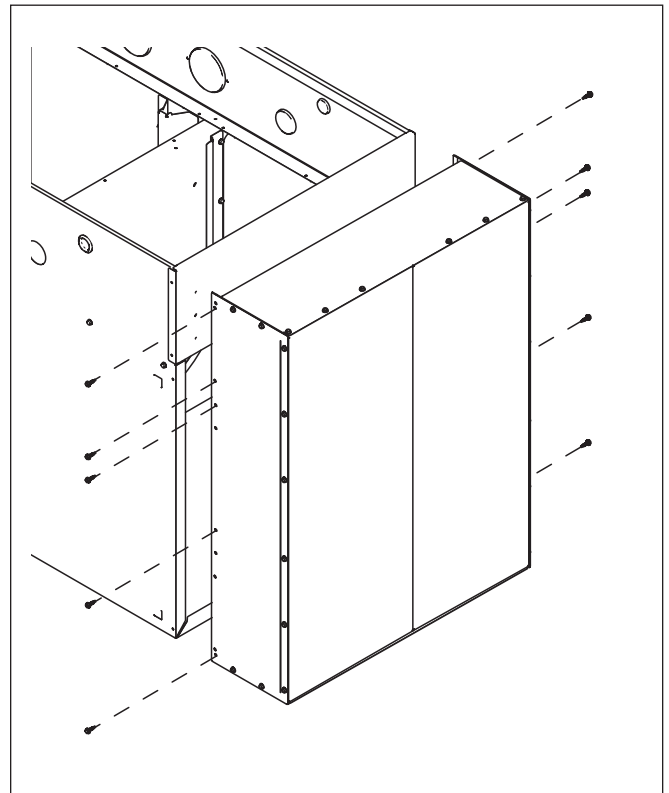


**STEP 8** - Lay the furnace on its back.

**STEP 9** - Ensure gasket material is in place along the mating edges of the BAYLIFT assembly.

**STEP 10** - Attach the BAYLIFT assembly to the furnace cabinet using 8 screws (4 per side). See the illustration of the BAYLIFT side to locate where to install the screws. The locations will vary by cabinet size. In all cases, there will be 8 matching holes (4 per side). The four screws may be used from Step 7.

**STEP 11** - Install 2 drill point screws (1 per side) into one of the three holes along the top of the BAYLIFT kit. See the top figure to locate which holes to choose from.



**STEP 10** - Attach gasket material along the flanges of the filter cabinet that will mate to the furnace cabinet.

**STEP 11** - Matching the filter cabinet flush to the back edge and the bottom edge. Attach the filter cabinet to the furnace cabinet.

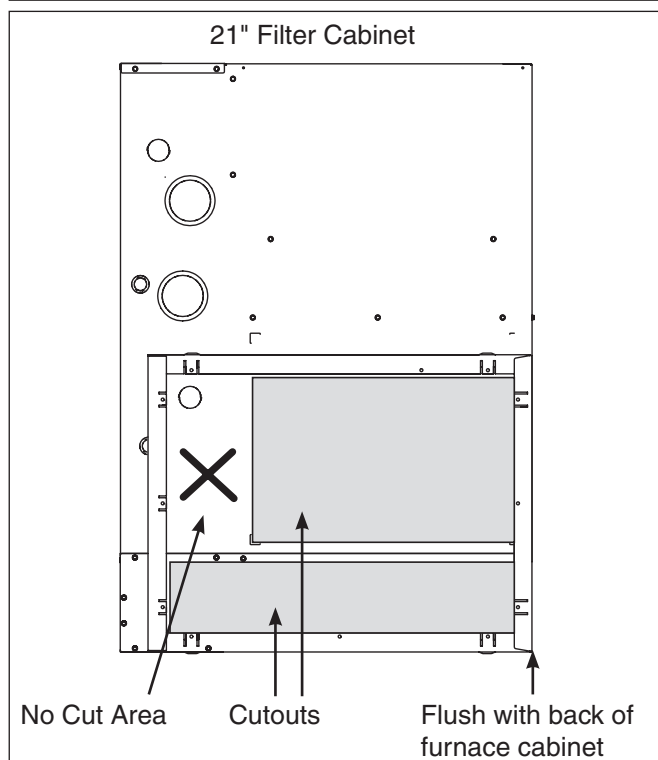
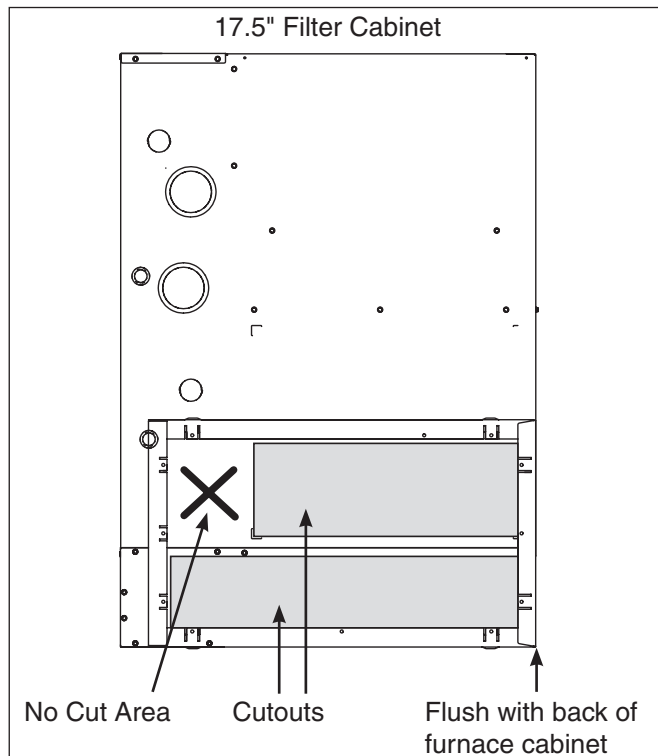
**STEP 12** - Mark the two areas to be cut out for the side return and bottom return. Make sure not to extend past the corner guides on the furnace cabinet.

**NOTE:** The size of the cutouts will vary on the size of the filter cabinet size.

**STEP 13** - Cut out the cabinet side along the marks for the side cutout. Cut out the BAYLIFT side panel along the marks for the bottom return cutout.

**Important:** Do not cut out the furnace cabinet material in any other place outside of the marked area.

**Important:** The filter cabinet must not cover a used electric or condensate outlet. If the filter cabinet extends over the outlets, then the outlets on the opposite side of the cabinet must be used for the condensate and electric connections. Plastic plugs must be in place and sealed when a filter box or return duct is connected and covers any portion of an opening.



**STEP 12** - See the furnace Installer's Guide for connecting the rest of the return air ducting.

## About Trane and American Standard Heating and Air Conditioning

Trane and American Standard create comfortable, energy efficient indoor environments for residential applications. For more information, please visit [www.trane.com](http://www.trane.com) or [www.americanstandardair.com](http://www.americanstandardair.com)

The manufacturer has a policy of continuous data improvement and it reserves the right to change design and specifications without notice. We are committed to using environmentally conscious print practices.