



Installation, Operation and Maintenance

Convertible Venting Type Gas-fired Tubular Propeller Style Unit Heaters

Model GN

J30-10387

⚠ SAFETY WARNING

Only qualified personnel should install and service the equipment. The installation, starting up, and servicing of heating, ventilating, and air-conditioning equipment can be hazardous and requires specific knowledge and training. Improperly installed, adjusted or altered equipment by an unqualified person could result in death or serious injury. When working on the equipment, observe all precautions in the literature and on the tags, stickers, and labels that are attached to the equipment.

August 2020

UH-SVX002B-EN

TRANE
TECHNOLOGIES



Introduction

Read this manual thoroughly before operating or servicing this unit.

Warnings, Cautions, and Notices

Safety advisories appear throughout this manual as required. Your personal safety and the proper operation of this machine depend upon the strict observance of these precautions.

The three types of advisories are defined as follows:

⚠ WARNING Indicates a potentially hazardous situation which, if not avoided, could result in death or serious injury.

⚠ CAUTION Indicates a potentially hazardous situation which, if not avoided, could result in minor or moderate injury. It could also be used to alert against unsafe practices.

NOTICE Indicates a situation that could result in equipment or property-damage only accidents.

Important Environmental Concerns

Scientific research has shown that certain man-made chemicals can affect the earth's naturally occurring stratospheric ozone layer when released to the atmosphere. In particular, several of the identified chemicals that may affect the ozone layer are refrigerants that contain Chlorine, Fluorine and Carbon (CFCs) and those containing Hydrogen, Chlorine, Fluorine and Carbon (HCFCs). Not all refrigerants containing these compounds have the same potential impact to the environment. Trane advocates the responsible handling of all refrigerants-including industry replacements for CFCs and HCFCs such as saturated or unsaturated HFCs and HCFCs.

Important Responsible Refrigerant Practices

Trane believes that responsible refrigerant practices are important to the environment, our customers, and the air conditioning industry. All technicians who handle refrigerants must be certified according to local rules. For the USA, the Federal Clean Air Act (Section 608) sets forth the requirements for handling, reclaiming, recovering and recycling of certain refrigerants and the equipment that is used in these service procedures. In addition, some states or municipalities may have additional requirements that must also be adhered to for responsible management of refrigerants. Know the applicable laws and follow them.

⚠ WARNING

Proper Field Wiring and Grounding Required!

Failure to follow code could result in death or serious injury. All field wiring **MUST** be performed by qualified personnel. Improperly installed and grounded field wiring poses **FIRE** and **ELECTROCUTION** hazards. To avoid these hazards, you **MUST** follow requirements for field wiring installation and grounding as described in **NEC** and your local/state electrical codes.

⚠ WARNING

Personal Protective Equipment (PPE) Required!

Failure to wear proper PPE for the job being undertaken could result in death or serious injury. Technicians, in order to protect themselves from potential electrical, mechanical, and chemical hazards, **MUST** follow precautions in this manual and on the tags, stickers, and labels, as well as the instructions below:

- Before installing/servicing this unit, technicians **MUST** put on all PPE required for the work being undertaken (Examples; cut resistant gloves/sleeves, butyl gloves, safety glasses, hard hat/bump cap, fall protection, electrical PPE and arc flash clothing). **ALWAYS** refer to appropriate Safety Data Sheets (SDS) and OSHA guidelines for proper PPE.
- When working with or around hazardous chemicals, **ALWAYS** refer to the appropriate SDS and OSHA/GHS (Global Harmonized System of Classification and Labeling of Chemicals) guidelines for information on allowable personal exposure levels, proper respiratory protection and handling instructions.
- If there is a risk of energized electrical contact, arc, or flash, technicians **MUST** put on all PPE in accordance with OSHA, NFPA 70E, or other country-specific requirements for arc flash protection, **PRIOR** to servicing the unit. **NEVER PERFORM ANY SWITCHING, DISCONNECTING, OR VOLTAGE TESTING WITHOUT PROPER ELECTRICAL PPE AND ARC FLASH CLOTHING. ENSURE ELECTRICAL METERS AND EQUIPMENT ARE PROPERLY RATED FOR INTENDED VOLTAGE.**

⚠ WARNING**Follow EHS Policies!**

Failure to follow instructions below could result in death or serious injury.

- All Trane personnel must follow the company's Environmental, Health and Safety (EHS) policies when performing work such as hot work, electrical, fall protection, lockout/tagout, refrigerant handling, etc. Where local regulations are more stringent than these policies, those regulations supersede these policies.
- Non-Trane personnel should always follow local regulations.

⚠ WARNING**Hazardous Gases and Flammable Vapors!**

Failure to observe the following instructions could result in exposure to hazardous gases, fuel substances, or substances from incomplete combustion, which could result in death or serious injury. The state of California has determined that these substances may cause cancer, birth defects, or other reproductive harm.

Improper installation, adjustment, alteration, service or use of this product could cause flammable mixtures or lead to excessive carbon monoxide. To avoid hazardous gases and flammable vapors follow proper installation and setup of this product and all warnings as provided in this manual.

General Safety Information

⚠ WARNING**Safety Precautions!**

Failure to read and follow the list of instructions below could result in death or serious injury, and property damage.

- This product must be installed by a licensed plumber or gas fitter when installed within the Commonwealth of Massachusetts.
- Installation must be made in accordance with local codes, or in absence of local codes, with the latest edition of the ANSI Standard Z223.1 (N.F.P.A. No. 54) National Fuel Gas Code. All of the ANSI and NFPA Standards referred to in these installation instructions are those that were applicable at the time the design of this appliance was certified. The ANSI Standards are available from CSA Information Services, 1-800-463-6727. The NFPA Standards are available from the National Fire Protection Association, Batterymarch Park, Quincy, MA 02269. These unit heaters are designed for use in airplane hangars when installed in accordance with ANSI/NFPA No. 409, and in public garages when installed in accordance with NFPA No. 88A and NFPA No.88B.
- If installed in Canada, the installation must conform with local building codes, or in the absence of local building codes, with CSA-B149.1 "Installation Codes for Natural Gas Burning Appliances and Equipment" or CSA-B149.2 "Installation Codes for Propane Gas Burning Appliances and Equipment." These unit heaters have been designed and certified to comply with CSA 2.6. Also see sections on installation in AIRCRAFT HANGARS and PUBLIC GARAGES.
- Do not alter the unit heater in any way.
- Disconnect all power and gas supplies before installing or servicing the heater. If the power disconnect is out of sight, lock it in the open position and tag it to prevent unexpected application of power.
- Ensure that all power sources conform to the requirements of the unit heater.
- Follow installation instructions CAREFULLY to avoid creating unsafe conditions. All wiring should be done and checked by a qualified electrician, using copper wire only. All gas connections should be made and leak-tested by a suitably qualified individual, per instructions in this manual. Also follow procedures listed on "Gas Equipment Start-Up Sheet" located in this manual.
- Use only the fuel for which the heater is designed (see rating plate). Using LP gas in a heater that requires natural gas, or vice versa, will create risk of gas leaks, carbon monoxide poisoning, and explosion.
- Do not attempt to convert the heater for use with a fuel other than the one intended unless using an appropriate conversion kit provided by the manufacturer.
- Make certain that the power source conforms to the electrical requirements of the heater.
- Do not depend upon a thermostat or other switch as sole means of disconnecting power when installing or servicing heater. Always disconnect power at main circuit breaker as described above.
- Special attention must be given to any grounding information pertaining to this heater. To prevent the risk of electrocution, the heater must be securely and adequately grounded. This should be accomplished by connecting a ground conductor between the service panel and the heater. To ensure a proper ground, the grounding means must be tested by a qualified electrician.
- Do not insert fingers or foreign objects into heater or its air moving device. Do not block or tamper with the heater in any manner while in operation, or just after it has been turned off, as some parts may be hot enough to cause injury.



Introduction

- This heater is intended for general heating applications ONLY. It must NOT be used in potentially dangerous locations such as flammable, explosive, chemical-laden, or wet atmospheres.
- Do not attach ductwork to this product or use it as a makeup air heater. Such usage voids the warranty and will create unsafe operation.
- In cases in which property damage may result from malfunction of the heater, a back-up system or temperature sensitive alarm should be used.
- The open end of gas piping systems being purged shall not discharge into areas where there are sources of ignition or into confined spaces UNLESS precautions are taken as follows: (1) by ventilation of the space, (2) control of the purging rate, (3) elimination of all hazardous conditions. All precautions must be taken to perform this operation in a safe manner!
- Unless otherwise specified, the following conversions may be used for calculating SI unit measurements:
 - 1 foot = 0.305 m
 - 1 inch = 25.4 mm
 - 1 gallon = 3.785 L
 - 1 pound = 0.453 kg
 - 1 psig = 6.894 kPa
 - 1 cubic foot = 0.028m³
 - 1000 BTU/cu. ft. = 37.5 MJ/m³
 - 1000 BTU per hour = 0.293 kW
 - 1 inch water column = 0.249 kPa
 - 1 litre/second = CFM x 0.472
 - 1 meter/second = FPM ÷ 196.8

Copyright

This document and the information in it are the property of Trane, and may not be used or reproduced in whole or in part without written permission. Trane reserves the right to revise this publication at any time, and to make changes to its content without obligation to notify any person of such revision or change.

Trademarks

All trademarks referenced in this document are the trademarks of their respective owners.

Revision History

Updated for Trane Technologies.



Table of Contents

GN Model Number Descriptions	6	Maintenance	42
General Information	7	Periodic Service	42
Description	7	Warranty	44
Pre-Installation	9	Identification of Parts	45
Inspection checklist	9	Propeller Unit Heaters	45
Installation - General	10	How to order replacement parts	46
Installation - Piping	13	Appendix: Checklist	47
Pipe Sizing	13	Gas Equipment Start-Up	47
Pipe Installation	14		
Installation - Electrical	16		
Thermostat Wiring and Location	16		
Installation - Venting	24		
Venting Categories	24		
Additional Requirements for Canadian Installations	25		
Standard Combustion	25		
Vertically Vented Unit Heaters (Category I)	25		
Horizontally Vented Unit Heaters (Category I)	26		
Horizontally Vented Unit Heaters (Category III)	28		
Separated Combustion	31		
Combustion Air Venting and Piping	31		
Exhaust Venting	32		
Vertically Vented Unit Heaters (Category I)	33		
Horizontally Vented Unit Heaters (Category III)	34		
Operation	36		
Direct Spark Ignition	36		
Explanation of Controls	36		
Start-up	36		
Shut Down	36		
Gas Input Rate	37		
Tubular Unit Heater- High Altitude Deration	38		
Troubleshooting	39		
Troubleshooting with LED Indicator Assistance	41		



GN Model Number Descriptions

Digit 1 – Gas Heating Equipment

G = Gas Heating Equipment

Digit 2 – Unit Type

N = Tubular Propeller Fan Unit Heater, Standard and Separated Combustion

Digit 3 – Fuel type

N = Natural Gas
P = Propane Gas (LP)

Digit 4 – Development Sequence

E = Fifth Generation

Digit 5, 6, 7 – Input Capacity

010 = 100 MBh
012 = 125 MBh
015 = 150 MBh
017 = 175 MBh
020 = 200 MBh
025 = 250 MBh
030 = 300 MBh
035 = 350 MBh
040 = 400 MBh

Digit 8 – Main Power Supply

A = 115/60/1
B = 230/60/1
C = 208/60/3
D = 230/60/3
E = 460/60/3
F = 575/60/3
G = 208/60/1

Digit 9 – Gas Control option

H = Electronic Modulation w/Room Sensing
L = Electronic Modulation w/External 4-20 mA Input
N = Electronic Modulation w/External 0-10 VDC Input
T = Single Stage, Direct Spark Ignition
V = Two Stage, Direct Spark Ignition

Digit 10 – Design Sequence

A = First Design

Digit 11 – Heat Exchanger Material

1 = Aluminized Steel
2 = 409 Stainless Steel

Digit 12, 13, 14

0

Digit 15 – Miscellaneous Options

0 = None
A = Stainless Steel Burners
B = Air Pressure Switch for Above 5000 ft
C = 409 Stainless Steel Flue Collector
D = Summer/Winter Switch
E = Vertical Louvers
J = Totally Enclosed Motor
7 = OSHA Fan Guard



General Information

Description

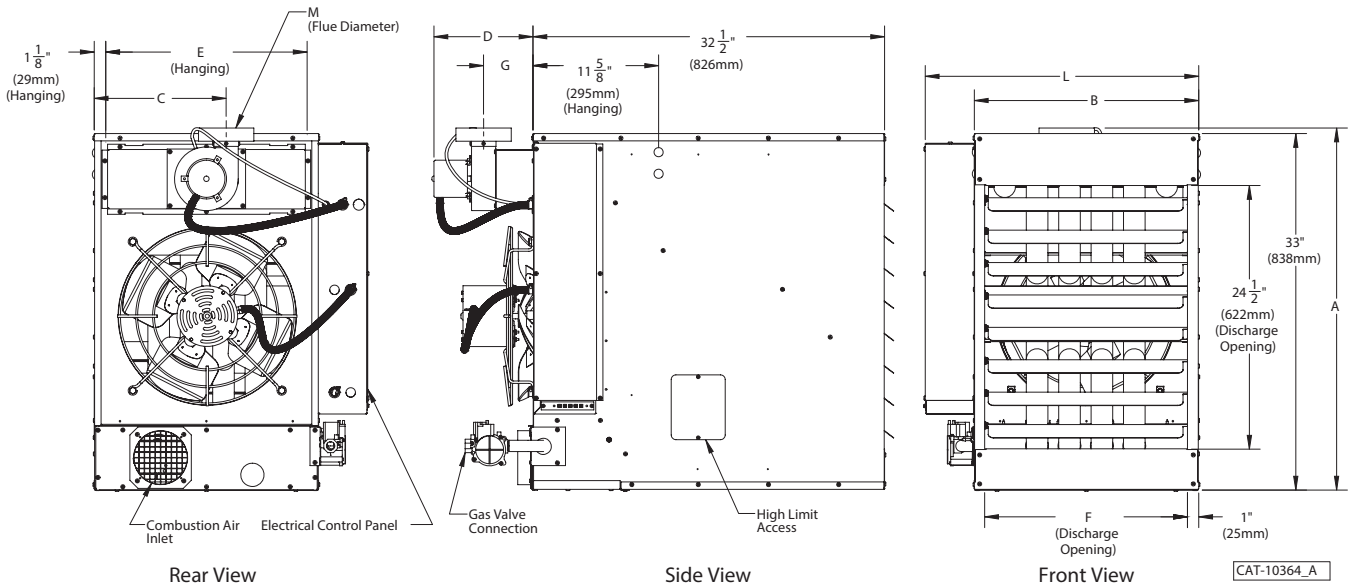
The Convertible venting type tubular gas fired unit heaters are a factory assembled, power vented, low static pressure type propeller fan unit heaters designed to be suspended within the space to be heated. These heaters are not to be

connected to ductwork. The designs are certified by ETL as providing a minimum of 83% thermal efficiency, and approved for use in California. Do not alter these units in any way. If you have any questions after reading this manual, contact the manufacturer.

Figure 1. Convertible venting type tubular propeller unit heater



Figure 2. Dimensional drawing





General Information

Table 1. General and dimensional data

Unit Capacity (MBH)		100	125	150	175	200	250	300	350	400
Performance Data^(a)										
Input -	BTU/Hr. (kW)	100,000 (29.3)	125,000 (36.6)	150,000 (43.9)	175,000 (51.2)	200,000 (58.6)	250,000 (73.2)	300,000 (87.8)	350,000 (102.5)	400,000 (117.1)
Output -	BTU/Hr. (kW)	83,000 (24.3)	103,750 (30.4)	124,500 (36.4)	145,250 (42.5)	166,000 (48.6)	207,500 (60.7)	249,000 (72.9)	290,500 (85.1)	332,000 (97.2)
Thermal Efficiency (%)		83	83	83	83	83	83	83	83	83
Free Air Delivery -	CFM (cu. m/s)	1,600 (0.756)	2,200 (1.039)	2,400 (1.133)	2,850 (1.346)	3,200 (1.511)	3,450 (1.629)	5,000 (2.361)	5,600 (2.644)	5,800 (2.738)
Air Temperature Rise -	Deg. F (Deg. C)	47 (26)	42 (23)	47 (26)	46 (26)	47 (26)	54 (30)	45 (24)	47 (26)	51 (28)
Full Load Amps at 120V		6.4	6.9	6.9	8.0	8.0	8.0	11.6	13.8	13.8
Min. Circuit Amps at 120V		7.5	8.1	8.1	9.5	9.5	9.5	12.8	15.3	15.3
MOTOR DATA: Motor HP (Qty)		1/10	1/4	1/4	1/3	1/3	1/3	1/4 (2)	1/3 (2)	1/3 (2)
Motor kW		(0.08)	(0.19)	(0.19)	(0.25)	(0.25)	(0.25)	(0.19)	(0.25)	(0.25)
Motor Type (ODP) ^(b)		SP	PSC	PSC	PSC	PSC	PSC	PSC	PSC	PSC
RPM		1,050	1,050	1,050	1,050	1,050	1,050	1,050	1,050	1,050
Amps @ 115V		4.2	4.7	4.7	5.8	5.8	5.8	9.4	11.6	11.6
Dimensional Data- inches (mm)										
"A" Overall Height to Top of Flue		33-3/4 (857)	33-3/4 (857)	33-3/4 (857)	33-3/4 (857)	33-3/4 (857)	33-3/4 (857)	34 (864)	34 (864)	34 (864)
"B" Jacket Width of Unit		20-3/4 (527)	20-3/4 (527)	20-3/4 (527)	32-3/4 (831)	32-3/4 (831)	32-3/4 (831)	50-3/4 (1289)	50-3/4 (1289)	50-3/4 (1289)
"C" Width to CL Flue		13-3/8 (340)	13-3/8 (340)	13-3/8 (340)	19-3/8 (492)	19-3/8 (492)	19-3/8 (492)	28-3/8 (721)	28-3/8 (721)	28-3/8 (721)
"D" Depth to Rear of Housing		11 (279)	11 (279)	11 (279)	11 (279)	11 (279)	11 (279)	12-1/4 (311)	12-1/4 (311)	12-1/4 (311)
"E" Hanging Distance Width		18-5/8 (473)	18-5/8 (473)	18-5/8 (473)	30-5/8 (778)	30-5/8 (778)	30-5/8 (778)	48-5/8 (1235)	48-5/8 (1235)	48-5/8 (1235)
"F" Discharge Opening Width		18-3/4 (476)	18-3/4 (476)	18-3/4 (476)	30-3/4 (781)	30-3/4 (781)	30-3/4 (781)	48-3/4 (1238)	48-3/4 (1238)	48-3/4 (1238)
"G" Depth to CL Flue		4-3/4 (121)	4-3/4 (121)	4-3/4 (121)	4-3/4 (121)	4-3/4 (121)	4-3/4 (121)	5-1/8 (130)	5-1/8 (130)	5-1/8 (130)
"L" Overall Unit Width		25-1/4 (641)	25-1/4 (641)	25-1/4 (641)	37-1/4 (946)	37-1/4 (946)	37-1/4 (946)	55-1/4 (1403)	55-1/4 (1403)	55-1/4 (1403)
Combustion Air Inlet Dia. (Qty) -	in (mm)	5 (127)	5 (127)	5 (127)	5 (127)	5 (127)	5 (127)	5 (2) (127)	5 (2) (127)	5 (2) (127)
"M" Flue Size Diameter ^(c) -	in (mm)	5 (127)	5 (127)	5 (127)	5 (127)	5 (127)	5 (127)	6 (152)	6 (152)	6 (152)
Gas Inlet, Natural Gas - in		1/2	1/2	1/2	1/2	1/2	3/4	3/4	3/4	3/4
Gas Inlet, LP Gas - in		1/2	1/2	1/2	1/2	1/2	3/4	3/4	3/4	3/4
Approximate Unit Weight -	lb (kg)	135 (61)	147 (67)	157 (71)	194 (88)	204 (93)	214 (97)	311 (141)	325 (147)	339 (154)
Approximate Ship Weight -	lb (kg)	175 (79)	187 (85)	197 (89)	244 (111)	254 (115)	264 (120)	371 (168)	385 (175)	399 (181)

(a) Ratings shown are for unit installations at elevations between 0 and 2,000 ft (0 to 610m). For unit installations in U.S.A. above 2,000 ft. (610m), the unit input must be field derated 4% for each 1,000 ft. (305m) above sea level; refer to local codes, or in absence of local codes, refer to the latest edition of the National Fuel Gas Code, ANSI Standard Z223.1 (N.F.P.A. No. 54).

For installations in Canada, any reference to deration at altitudes in excess of 2,000 ft. (610m) are to be ignored. At altitudes of 2,000 ft. to 4,500 ft. (610 to 1372m), the unit must be field derated and be so marked in accordance with the ETL certification. Refer to Table 8, p. 38 and Table 9, p. 38 for field deration information.

(b) LEGEND: SP = Shaded Pole, PSC = Permanent Split Capacitor, ODP = Open Drip Proof

(c) Flue collar is factory supplied with unit; to be field installed per included instructions.



Pre-Installation

Inspection checklist

Inspect shipment immediately when received to determine if any damage has occurred to the unit during shipment. After the unit has been uncrated, check for any visible damage to the unit. If any damage is found, the consignee should sign the bill of lading indicating such damage and immediately file claim for damage with the transportation company.



Installation - General

NOTICE

Heater Damage!

Failure to follow instructions could result in severe damage and premature failure of the heater.

Do not install unit heaters in corrosive or flammable atmospheres, or a location where air for combustion contains chlorinated, halo-genated or acidic vapors.

Since the unit is equipped with an automatic gas ignition system, the unit heater must be installed such that the gas ignition control system is not directly exposed to water spray, rain or dripping water.

Note: Location of unit heaters is related directly to the selection of sizes. Basic rules are as follows:

Mounting Height: Unit Heaters equipped with standard fan guards must be installed at a minimum of 8 ft. (2.4m) above the floor, measured to the bottom of the unit. At heights above 8 ft. (2.4m), less efficient air distribution will result. If a unit is to be mounted below 8 ft. (2.4m) from the floor, an OSHA approved fan guard is required on the unit.

Aircraft Hangars: Unit Heaters must be installed in aircraft hangars as follows: In aircraft hangars, unit heaters must be at least 10 ft. (3.0m) above the upper surface of wings or engine enclosures of the highest aircraft to be stored in the hangar, and 8 ft. (2.4m) above the floor in shops, offices and other sections of the hangar where aircraft are not stored or housed. Refer to current ANSI/NFPA No. 409, Aircraft Hangars. In Canada, installation is suitable in aircraft hangars when acceptable to the enforcing authorities.

Public Garages: In repair garages, unit heaters must be located at least 8 ft. (2.4m) above the floor. Refer to the latest edition of NFPA 88B, Repair Garages.

Parking Structures: In parking structures, unit heaters must be installed so that the burner flames are located a minimum of 18 in. (457mm) above the floor or protected by a partition not less than 18 in. (457mm) high. However, any unit heater mounted in a parking structure less than 8 ft. (2.4m) above the floor must be equipped with an OSHA approved fan guard. Refer to the latest edition of NFPA 88A, Parking structures.

In Canada, installation must be in accordance to the latest edition of CSA B149 "Installation Codes for Gas Burning Appliances and Equipment."

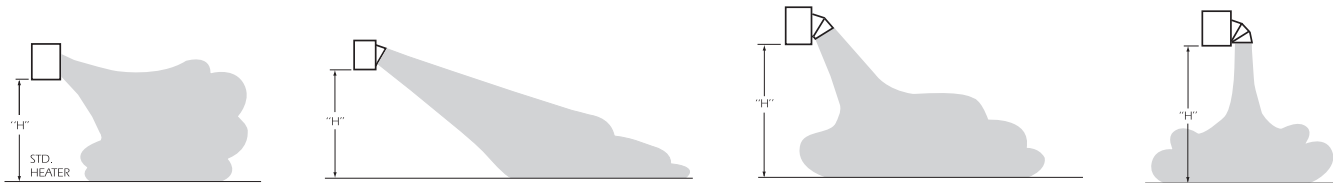
Air Distribution: Direct air towards areas of maximum heat loss. When multiple heaters are involved, circulation of air around the perimeter is recommended where heated air flows along exposed walls. Satisfactory results can also be obtained where multiple heaters are located toward the center of the area with heated air directed toward the outside walls. Be careful to avoid all obstacles and obstructions which could impede the warm air distribution patterns.

Unit heaters should not be installed to maintain low temperatures and/or freeze protection of buildings. A minimum of 50°F (10°C) thermostat setting must be maintained. If unit heaters are operated to maintain lower than 50°F (10°C), hot flue gases are cooled inside the heat exchanger to a point where water vapor (a flue gas by-product) condenses onto the heat exchanger walls. The result is a mildly corrosive acid that prematurely corrodes the aluminized heat exchanger and can actually drip water down from the unit heater onto floor surface. Additional unit heaters should be installed if a minimum 50°F (10°C) thermostat setting cannot be maintained.

Air for Combustion: The unit heater shall be installed in a location in which the facilities for ventilation permit satisfactory combustion of gas, proper venting, and the maintenance of ambient air at safe limits under normal conditions of use. The unit heater shall be located in such a manner as not to interfere with proper circulation of air within the confined space. When buildings are so tight that normal infiltration does not meet air requirements, outside air shall be introduced per Sections 1.3.4.2 and 1.3.4.3 of ANSI Z223.1 for combustion requirements. A permanent opening or openings having a total free area of not less than one square inch per 5,000 BTU/Hr (1.5 kW) of total input rating of all appliances within the space shall be provided.

Notes:

- Unit Heater sizing should be based on heat loss calculations where the unit heater output equals or exceeds heat loss.
- Unit should be installed in an area where the entering air does not exceed 104°F. Temperatures above 104°F will cause the propeller motor to trip on its thermal overload protection, requiring a cool down period before the motor can reset

Figure 3. Heat throw data

Table 2. Heat throw data table

Degree of Nozzle	Distance From Floor to Bottom of Unit "H" - ft (m)	UNIT SIZE BTU/Hr								
		100,000	125,000	150,000	175,000	200,000	250,000	300,000	350,000	400,000
		Approximate Distance of Heat Throw - Feet (Meters)								
None	8 (2.4)	60 (18.3)	65 (19.8)	70 (21.3)	75 (22.9)	80 (24.4)	90 (27.4)	105 (32.0)	110 (33.5)	120 (36.6)
	10 (3.0)	54 (16.5)	56 (17.1)	60 (18.3)	64 (19.5)	68 (20.7)	78 (23.8)	90 (27.4)	95 (29.0)	100 (30.5)
	12 (3.7)	44 (13.4)	46 (14.0)	49 (14.9)	57 (17.4)	61 (18.6)	68 (20.7)	80 (24.4)	84 (25.6)	90 (27.4)
	15 (4.6)	NR	NR	45 (13.7)	49 (14.9)	52 (15.8)	60 (18.3)	70 (21.3)	74 (22.6)	80 (24.4)
	20 (6.1)	NR	NR	NR	NR	46 (14.0)	54 (16.5)	63 (19.2)	66 (20.1)	70 (21.3)
30°	8 (2.4)	65 (19.8)	70 (21.3)	75 (22.9)	80 (24.4)	85 (25.9)	95 (29.0)	115 (35.1)	120 (36.6)	125 (38.1)
	10 (3.0)	57 (17.4)	60 (18.3)	64 (19.5)	68 (20.7)	72 (21.9)	86 (26.2)	99 (30.2)	105 (32.0)	110 (33.5)
	12 (3.7)	50 (15.2)	54 (16.5)	57 (17.4)	60 (18.3)	64 (19.5)	77 (23.5)	88 (26.8)	94 (28.7)	100 (30.5)
	15 (4.6)	NR	45 (13.7)	48 (14.6)	50 (15.2)	53 (16.2)	64 (19.5)	74 (22.6)	79 (24.1)	84 (25.6)
	20 (6.1)	NR	NR	NR	44 (13.4)	47 (14.3)	58 (17.7)	66 (20.1)	71 (21.6)	75 (22.9)
60°	8 (2.4)	75 (22.9)	80 (24.4)	85 (25.9)	90 (27.4)	95 (29.0)	110 (33.5)	125 (38.1)	130 (39.6)	138 (42.1)
	10 (3.0)	65 (19.8)	70 (21.3)	75 (22.9)	79 (24.1)	83 (25.3)	95 (29.0)	109 (33.2)	115 (35.1)	120 (36.6)
	12 (3.7)	60 (18.3)	64 (19.5)	68 (20.7)	72 (21.9)	76 (23.2)	84 (25.6)	100 (30.5)	103 (31.4)	108 (32.9)
	15 (4.6)	NR	45 (13.7)	48 (14.6)	50 (15.2)	53 (16.2)	64 (19.5)	74 (22.6)	79 (24.1)	84 (25.6)
	20 (6.1)	NR	49 (14.9)	52 (15.8)	55 (16.8)	59 (18.0)	65 (19.8)	77 (23.5)	81 (24.7)	85 (25.9)
90° (a)	15 (4.6)	30 x 25 (9.1)	35 x 30 (10.7)	40 x 35 (12.2)	45 x 40 (13.7)	50 x 40 (15.2)	60 x 45 (18.3)	70 x 45 (21.3)	80 x 50 (24.4)	100 x 50 (30.5)
	20 (6.1)	NR	NR	NR	NR	40 x 35 (12.2)	56 x 40 (17.1)	65 x 40 (19.8)	70 x 45 (21.3)	80 x 45 (24.4)
	25 (7.6)	NR	NR	NR	NR	NR	50 x 35 (15.2)	60 x 35 (18.3)	65 x 40 (19.8)	75 x 40 (22.9)
	30 (9.1)	NR	NR	NR	NR	NR	NR	55 x 35 (16.8)	60 x 35 (18.3)	65 x 40 (19.8)

Notes:

1. All throw data figures are approximations. Allowances should be made for optimum performance, altitude, etc.
2. NR - Units not recommended at these mounting heights
3. 30°, 60° and 90° nozzles are shipped unassembled.

(a) It is not recommended to mount a unit with a 90° nozzle under 10 ft.

Installation - General

Clearances: Each Gas Unit Heater shall be located with respect to building construction and other equipment so as to permit access to the Unit Heater. Clearance between vertical walls and the vertical sides of the Unit Heater shall be no less than 6 in. (152mm). To ensure access to the control box, a minimum of 18 in. (457mm) is required for the control box side. A minimum clearance of 6 in. (152mm) must be maintained between the top of the Unit Heater and the ceiling. The bottom of the Unit Heater must be no less than 12 in. (305mm) from any combustible. The distance between rear of unit and vertical wall should be no less than 18 in. to maintain inlet air flow. The distance between the flue collector and any combustible must be no less than 6 in. (152mm). Also refer to "Installation - Venting," p. 24 section.

Note: Increasing the clearance distances may be necessary if there is a possibility of distortion or discoloration of adjacent materials.

⚠ WARNING

Heavy Object!

Failure to follow these instructions could result in death, serious injury, and property damage.

Make certain that the lifting methods used to lift the heater are capable of supporting its the weight during installation. Ensure that all hardware used in the suspension of the heater is properly rated for the job.

Washers should not be used between the unit nutsert and jam nut. Use of a washer may cause the nutsert to become dislodged from the unit.

Make certain that the structure to which the heater is to be mounted is capable of safely supporting its weight. Under no circumstances must the gas lines, venting system, or the electrical conduit be used to support the heater. Do not allow objects (i.e. ladder) or people to lean against the gas lines, venting system, or electrical conduit for support.

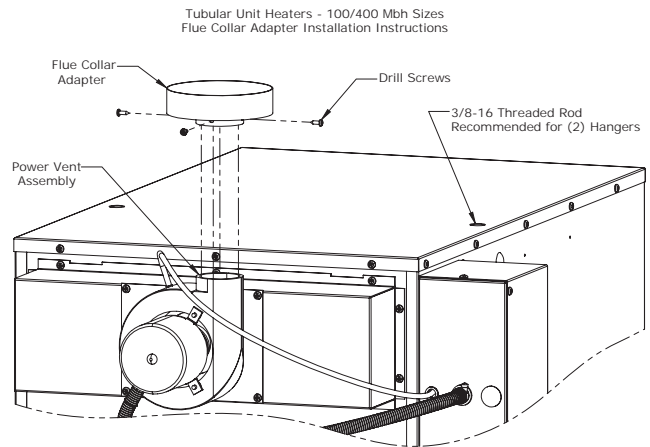
NOTICE

Premature Failure!

Unit Heaters must be hung level from side to side and from front to back, refer to [Figure 4](#) and [Figure 5](#). Failure to do so will result in poor performance and/or premature failure of the unit.

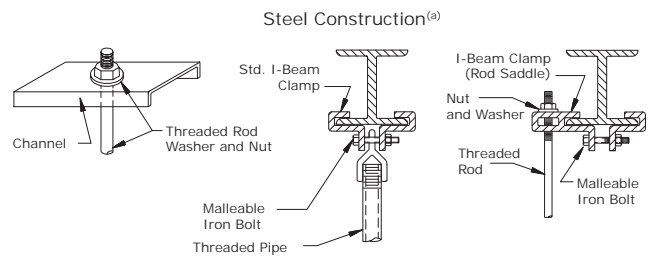
Refer to the below figures for suspension of units.

Figure 4. Flue adapter installation



Install the Flue Collar Adapter to the Power Vent Assembly as shown. Secure in Place using Drill Screws as shown.

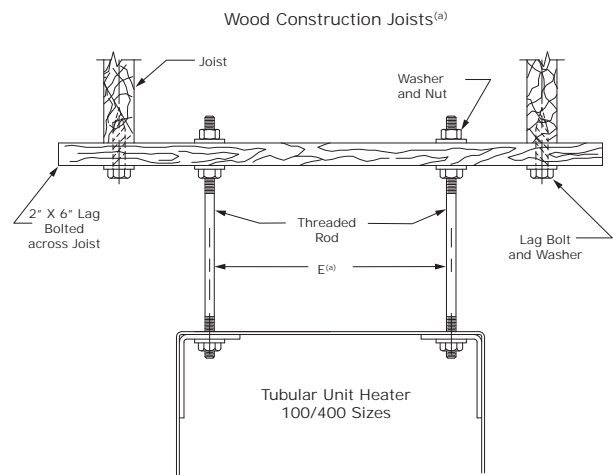
Figure 5. Heater mounting(a)



^(a)All hanging hardware and wood is not included with the unit (to be field supplied).

(a) Threaded rod is 3/8"

Figure 6. Heater suspension(a)



^(a)See Dimensional Data Table for Dimension E

(a) Threaded rod is 3/8"



Installation - Piping

⚠ WARNING

Fire Hazard!

Failure to follow instructions below could result in damage to the unit gas valve and cause a fire hazard which could result in death or serious injury.

- Do NOT connect gas piping to this unit until a supply line pressure/ leak test has been completed.
- Do NOT rely on a gas shutoff valve to isolate the unit while conducting gas pressure/leak tests. These valves may not be completely shutoff, exposing the unit gas valve to excessive pressure.
- Do not over-tighten the inlet gas piping at unit gas valve.

Pipe Sizing

To provide adequate gas pressure to the gas unit heater, size the gas piping as follows:

1. Find the cu. ft./hr. by using the following formula:

$$\text{Cu. ft./hr.} = \frac{\text{Input BTU/Hr}}{1000}$$

2. Refer to below table. Match "Length of Pipe in Feet" with appropriate "Gas Input - Cu. Ft./Hr." figure. This figure can then be matched to the pipe size at the top of the column.

Table 3. Gas pipe size^(a)

Nominal Iron Pipe Size in.	Internal Dia. in.	Length of Pipe, Feet (meters)													
		10 (3.0)	20 (6.1)	30 (9.1)	40 (12.2)	50 (15.2)	60 (18.3)	70 (21.3)	80 (24.4)	90 (27.4)	100 (30.5)	125 (38.1)	150 (45.7)	175 (53.3)	200 (61.0)
1/2	0.622	175 (4.96)	120 (3.40)	97 (2.75)	82 (2.32)	73 (2.07)	66 (1.87)	61 (1.73)	57 (1.61)	53 (1.50)	50 (1.42)	44 (1.25)	40 (1.13)	37 (1.05)	35 (0.99)
3/4	0.824	360 (10.2)	250 (7.08)	200 (5.66)	170 (4.81)	151 (4.28)	138 (3.91)	125 (3.54)	118 (3.34)	110 (3.11)	103 (2.92)	93 (2.63)	84 (2.38)	77 (2.18)	72 (2.04)
1	1.049	680 (19.3)	465 (13.2)	375 (10.6)	320 (9.06)	285 (8.07)	260 (7.36)	240 (6.80)	220 (6.23)	205 (5.80)	195 (5.52)	175 (4.96)	160 (4.53)	145 (4.11)	135 (3.82)
1- 1/4	1.380	1400 (39.6)	950 (26.9)	770 (21.8)	660 (18.7)	580 (16.4)	530 (15.0)	490 (13.9)	460 (13.0)	430 (12.2)	400 (11.3)	360 (10.2)	325 (9.20)	300 (8.50)	280 (7.93)
1- 1/2	1.610	2100 (59.5)	1460 (41.3)	1180 (33.4)	990 (28.0)	900 (25.5)	810 (22.9)	750 (21.2)	690 (19.5)	650 (18.4)	620 (17.6)	550 (15.6)	500 (14.2)	460 (13.0)	430 (12.2)
2	2.067	3950 (112)	2750 (77.9)	2200 (62.3)	1900 (53.8)	1680 (47.6)	1520 (43.0)	1400 (39.6)	1300 (36.8)	1220 (34.5)	1150 (32.6)	1020 (28.9)	950 (26.9)	850 (24.1)	800 (22.7)
2- 1/2	2.469	6300 (178)	4350 (123)	3520 (99.7)	3000 (85.0)	2650 (75.0)	2400 (68.0)	2250 (63.7)	2050 (58.0)	1950 (55.2)	1850 (52.4)	1650 (46.7)	1500 (42.5)	1370 (38.8)	1280 (36.2)
3	3.068	11000 (311)	7700 (218)	6250 (177)	5300 (150)	4750 (135)	4300 (122)	3900 (110)	3700 (105)	3450 (97.7)	3250 (92.0)	2950 (83.5)	2650 (75.0)	2450 (69.4)	2280 (64.6)
4	4.026	23000 (651)	15800 (447)	12800 (362)	10900 (309)	9700 (275)	8800 (249)	8100 (229)	7500 (212)	7200 (204)	6700 (190)	6000 (170)	5500 (156)	5000 (142)	4600 (130)

Example:

It is determined that a 67 ft. (20.4m) run of gas pipe is required to connect a 200 MBTU gas unit heater to a 1,000 BTU/cu ft. (0.29kW) natural gas supply.

$$\frac{200,000 \text{ BTU/Hr}}{1,000 \text{ BTU/cu. ft.}} = 200 \text{ Cu. ft./hr.}$$

Using Table 3, a 1 inch pipe is needed.

Notes:

- See General Safety Information section for English/Metric unit conversion factors.
- If more than one unit heater is to be served by the same piping arrangement, the total cu. ft./hr. input and length of pipe must be considered.
- If the gas unit heater is to be fired with LP gas, consult your local LP gas dealer for pipe size information.
- Heater installation for use with propane (bottled) gas must be made by a qualified l.p. gas dealer or installer. He/She will insure that proper joint compounds are used for making pipe connections; that air is purged from lines; that a thorough test is made for leaks before operating the heater; and that it is properly connected to the propane gas supply system.

Before any connection is made to the existing line supplying other gas appliances, contact the local gas company to make sure that the existing line is of adequate size to handle the combined load.

Table 3. Gas pipe size^(a) (continued)

Nominal Iron Pipe Size in.	Internal Dia. in.	Length of Pipe, Feet (meters)													
		10 (3.0)	20 (6.1)	30 (9.1)	40 (12.2)	50 (15.2)	60 (18.3)	70 (21.3)	80 (24.4)	90 (27.4)	100 (30.5)	125 (38.1)	150 (45.7)	175 (53.3)	200 (61.0)

Notes:

1. Determine the required Cu. Ft./Hr. by dividing the input by 1000. For SI/Metric measurements: Convert BTU/Hr. to kilowatts. Multiply the units inputs (kW) by 0.0965 to determine Cu. Meters./Hr.
2. For Natural Gas: Select pipe size directly from the table.
3. For Propane Gas: Multiply the Cu. Ft./Hr. value by 0.633; then, use the table.
4. Refer to the metric conversion factors listed in the General Safety section for SI Unit measurement conversions.

(a) Maximum Capacity of Pipe in Cubic ft of Gas per Hour (Cubic Meters per Hour) for Gas Pressures of 0.5 psig (3.5 kPa) or Less, and a Pressure Drop of 0.5 Inch Water Column (124.4 Pa) (Based on a 0.60 Specific Gravity Gas).

Pipe Installation

1. Install the gas piping in accordance with applicable local codes.
2. Check gas supply pressure. Each unit heater must be connected to a manifold pressure and a gas supply capable of supplying its full rated capacity as specified in [Table 4, p. 15](#). A field LP tank regulator must be used to limit the supply pressure to a maximum of 14 in. W.C. (3.5 kPa). All piping should be sized in accordance with the latest edition of ANSI Standard Z223.1 (NFPA 54), National Fuel Gas Code; in Canada, according to CSA B149. Refer to [Table 1, p. 8](#) and [Table 3, p. 13](#) for correct gas piping size. If gas pressure is excessive on natural gas applications, install a pressure regulating valve in the line upstream from the main shutoff valve.
3. Adequately support the piping to prevent strain on the gas manifold and controls.
4. To prevent the mixing of moisture with gas, run the take-off piping from the top, or side, of the main.
5. Standard Unit Heaters, optional two-stage units are supplied with a combination valve which includes:
 - a. Manual "A" valve
 - b. Manual "B" valve
 - c. Solenoid valve
 - d. Pressure regulator
 Pipe directly into the combination valve (refer to [Figure 7, p. 14](#)).
6. Gas valve has a pressure test post requiring a 3/32 in. hex head wrench to read gas supply and manifold pressures. Open 1/4 turn counterclockwise to read, turn clockwise to close and reseal. A 5/16 in. ID hose fits the pressure post.
7. Provide a drip leg in the gas piping near the gas unit heater. A ground joint union and a manual gas shutoff valve should be installed ahead of the unit heater controls to permit servicing. The manual shutoff valve must be located external to the jacket (refer to [Figure 7, p. 14](#)).
8. Make certain that all connections have been adequately doped and tightened.

NOTICE

Valve Damage!

Do not over tighten the inlet gas piping into the valve. This may cause stresses that will crack the valve!

Note: Use pipe joint sealant resistant to the action of liquefied petroleum gases regardless of gas conducted.

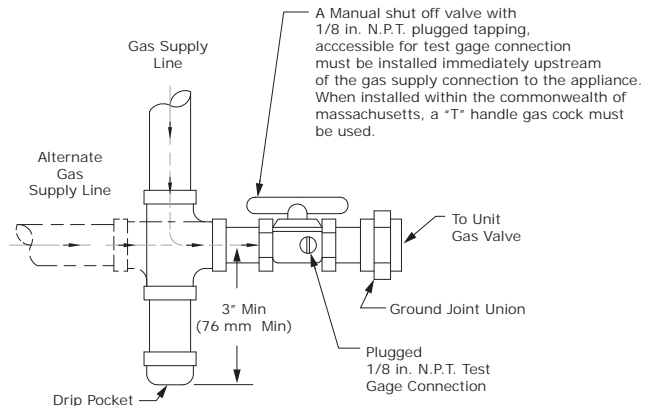
⚠ WARNING

Explosion Hazard!

Failure to follow safe leak test procedures below could result in death or serious injury or equipment or property-only-damage.

Never use an open flame to detect gas leaks. Use a leak test solution for leak testing.

Figure 7. Pipe installation, standard controls



The appliance and its individual shutoff valve must be disconnected from the gas supply piping system during any pressure testing of that system in excess of 1/2 psig (3.5 kPa).

The appliance must be isolated from the gas supply piping system by closing its individual manual shutoff valve during any pressure testing of the gas supply piping system at test pressures equal to or less than 1/2 psig (3.5 kPa).

Table 4. Gas piping requirements^(a)

Gas Type		Natural Gas	Propane (LP) Gas
Manifold Pressure			
Single Stage Application	(inch WC)	3.5	10.0
	(kPa)	(0.87)	(2.49)
Two Stage Application - High Fire	(inch WC)	3.5	10.0
	(kPa)	(0.87)	(2.49)
Two Stage Application - Low Fire	(inch WC)	1.1	3.8
	(kPa)	(0.27)	(0.95)
Supply Inlet Pressure			
Maximum	(inch WC)	14.0	14.0
	(kPa)	(3.49)	(3.49)
Minimum	(inch WC)	5.0	11.0
	(kPa)	(1.25)	(2.74)

(a) Applicable for units installed at or below 2,000 ft (610 m) altitude. Refer to "Tubular Unit Heater- High Altitude Deration," p. 38 information for altitudes greater than 2,000 ft (610 m).



Installation - Electrical

⚠ WARNING

Proper Field Wiring and Grounding Required!

Failure to follow code could result in death or serious injury.

All field wiring **MUST** be performed by qualified personnel. Improperly installed and grounded field wiring poses **FIRE** and **ELECTROCUTION** hazards. To avoid these hazards, you **MUST** follow requirements for field wiring installation and grounding as described in **NEC** and your local/state/national electrical codes.

⚠ WARNING

Hazardous Voltage!

Disconnect all electric power, including remote disconnects before servicing. Follow proper lockout/tagout procedures to ensure the power can not be inadvertently energized. Failure to disconnect power before servicing could result in death or serious injury.

Standard units are shipped for use on 115 volt, 60 hertz, single phase electric power. The motor name-plate and electrical rating of the transformer should be checked before energizing the unit heater electrical system. All external wiring must conform to the latest edition of ANSI/NFPA No. 70, United States National Electrical Code, and applicable local codes; in Canada, to the Canadian Electrical Code, Part 1, CSA Standard C22.1.

⚠ WARNING

Risk of Electrocution!

Failure to follow instructions below could result in death or serious injury.

DO NOT use any tools (i.e. screwdriver, pliers, etc.) across the terminals to check for power. You **MUST** use a **CAT III** or **IV** voltmeter rated per **NFPA 70E**.

It is recommended that the electrical power supply to each unit heater be provided by a separate, fused, and permanently live electrical circuit. A disconnect switch of suitable electrical rating should be located as close to the gas valve and controls as possible. Each unit heater must be electrically grounded in accordance with the latest edition of the United States National Electrical Code, ANSI/NFPA No. 70, or CSA Standard C22.1. Refer to the below figures.

Thermostat Wiring and Location

NOTICE

Thermostat Damage!

Failure to follow instructions below could result in damage to the thermostat.

The thermostat must be mounted on a vertical, vibration-free surface, free from air currents, and in accordance with the furnished instructions.

Mount the thermostat approximately 5' (1.5m) above the floor, in an area where it will be exposed to a free circulation of average temperature air. Always refer to the thermostat instructions, as well as our unit wiring diagram, and wire accordingly. Avoid mounting the thermostat in the following locations:

1. Cold Areas - Outside walls or areas where drafts may affect the operation of the control.
2. Hot Areas - Areas where the sun's rays, radiation, or warm air currents may affect the operation of the control.
3. Dead Areas - Areas where the air cannot circulate freely, such as behind doors or in corners.

Figure 8. Low-voltage thermostat wiring single stage

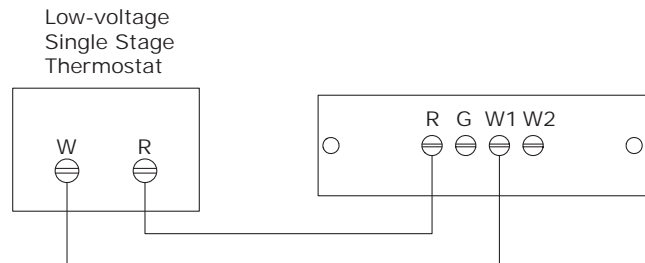


Figure 9. Low-voltage thermostat wiring two stage

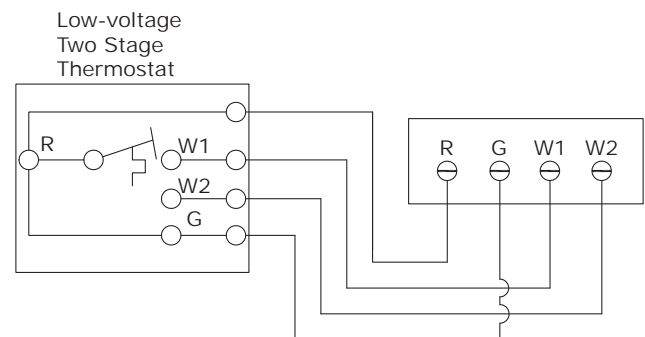
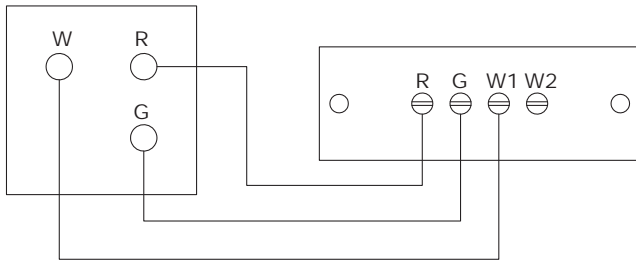


Figure 10. Low-voltage with fan switch thermostat wiring single stage

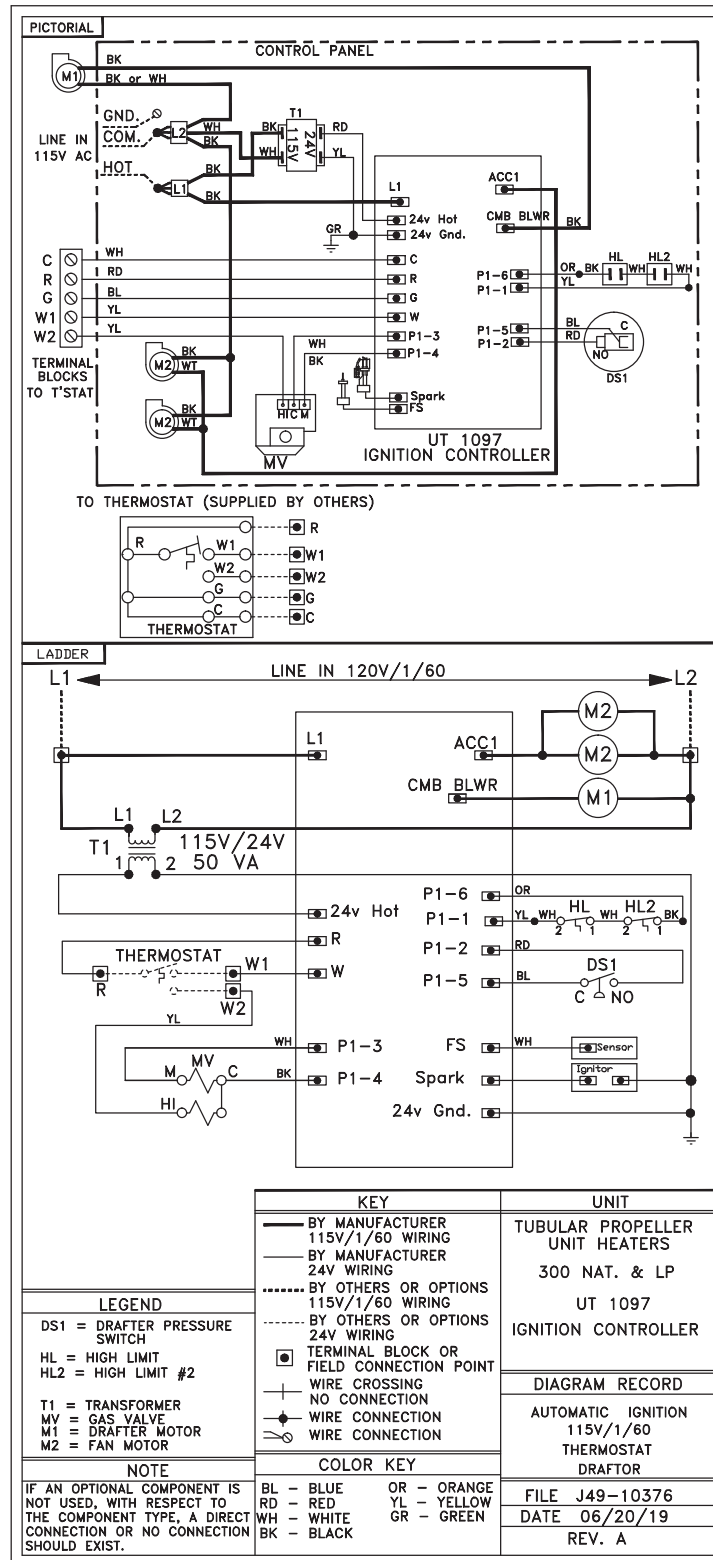


Note: The start-up fan delay should not exceed 30 seconds from a cold start.

Important:

- For all wiring connections, refer to the wiring diagram shipped with your unit (either affixed to the side jacket or enclosed in the installation instructions envelope). Should any original wire supplied with the heater have to be replaced, it must be replaced with wiring material having a temperature rating of at least 105°C.
- Should any high limit wires have to be replaced, they must be replaced with wiring material having a temperature rating of 200°C minimum.

Figure 14. Convertible venting tubular unit size 300 with optional 2-stage ignition



Installation - Electrical

Figure 15. Convertible venting tubular unit sizes 350-400 equipped with natural gas and propane (LP) gas, single stage

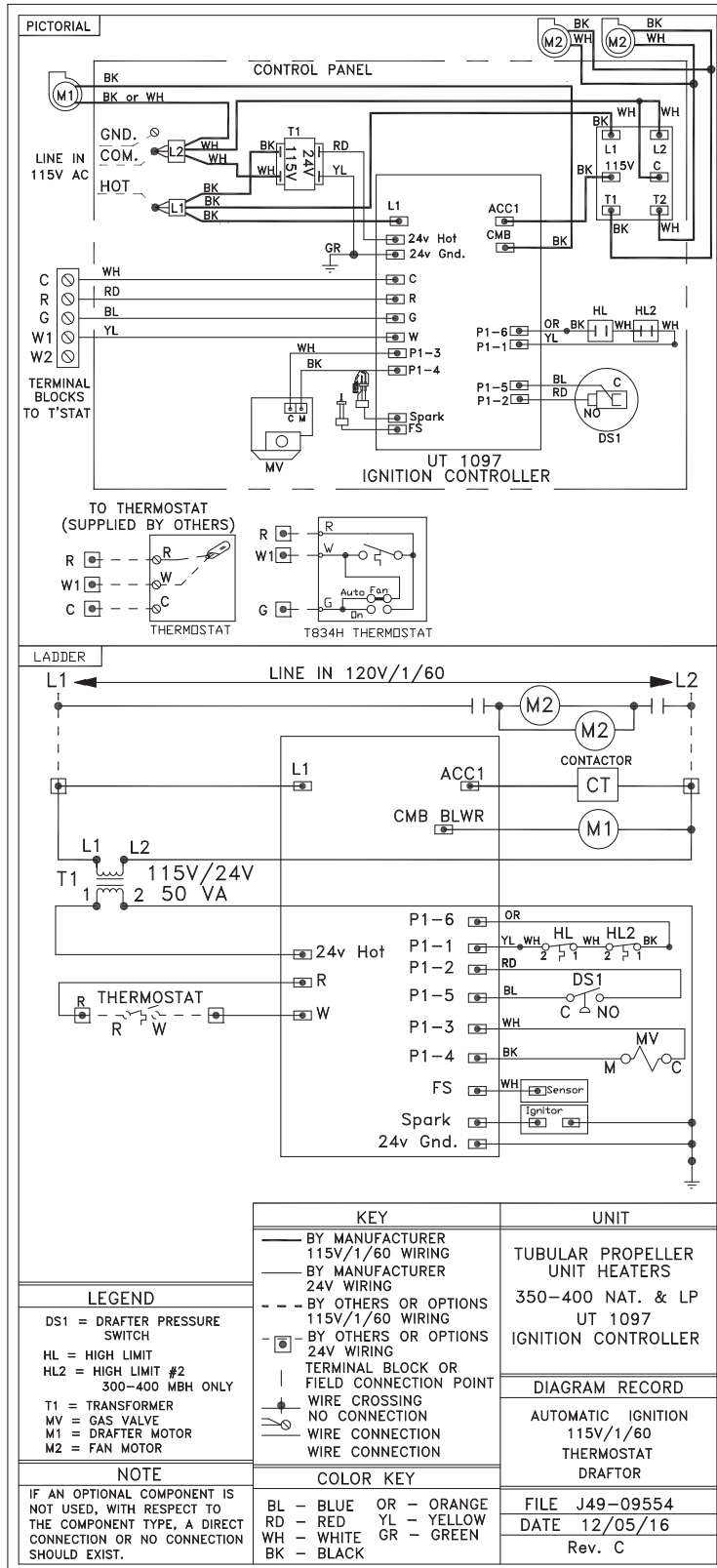
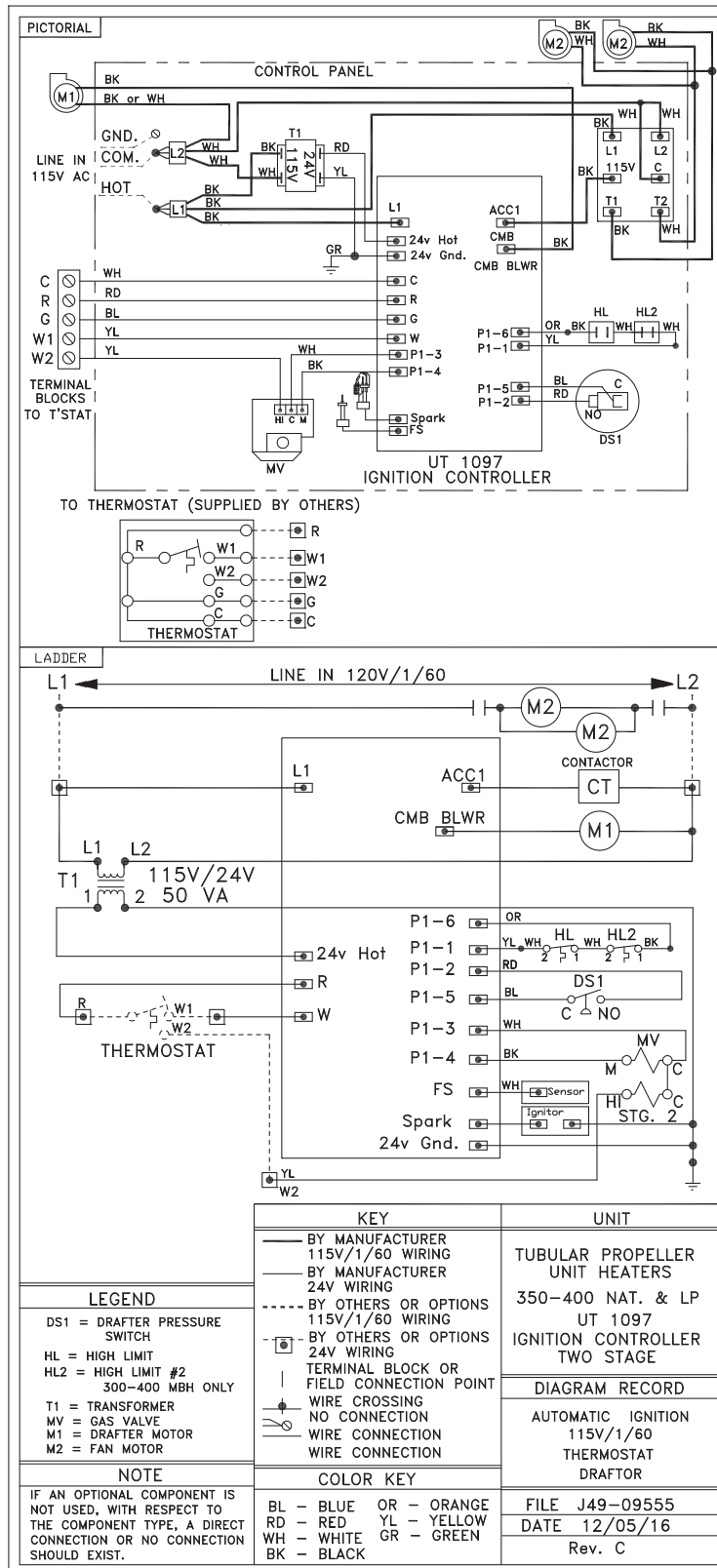


Figure 16. Convertible venting tubular unit sizes 350-400 with optional 2-stage ignition





Installation - Venting

Important: *These convertible venting type unit heaters can be installed in either standard combustion or separated combustion venting configurations. For separated combustion, connect a combustion air inlet pipe to the inlet collar(s) and follow venting instructions in the separated combustion sections. For standard combustion, no combustion air inlet pipe is needed, and venting instructions in the standard combustion sections should be followed. No modification to the unit is required to switch between standard and separated combustion.*

All unit heaters must be vented! All Venting installations shall be in accordance with the latest edition of Part 7, Venting of Equipment of the National Fuel Gas Code, ANSI Z223.1 (NFPA 54), or applicable provisions of local building codes. Refer to notes* below for Canadian installations. Refer to Figures 17 through 25.

⚠ WARNING

Carbon Monoxide Poisoning!
Failure to follow these instructions could result in Carbon Monoxide Poisoning (symptoms include grogginess, lethargy, inappropriate tiredness, or flu-like symptoms) which could result in death or serious injury.

Your venting system must not be blocked by any snow, snow drifts, or any foreign matter. Inspect your venting system to ensure adequate ventilation exists at all times!

When an existing heater is removed or replaced in venting system, the venting system may not be properly sized to vent the attached appliances. An improperly sized vent system can cause formulation of condensate or leakage or spillage of flue gases.

Do not damper or add heat recovery devices to the flue piping. Failure to open such a damper prior to operating the gas unit heater will result in the spillage of flue gas into the occupied space.

ANSI organizes vented appliances into four categories.

Venting Categories

Table 5. Venting categories

	Non-Condensing	Condensing
Negative Vent Pressure	I	II
Positive Vent Pressure	III	IV

Category I

Includes non-condensing appliances with negative vent pressure, like the traditional atmospheric unit heater.

Category II

Groups condensing appliances with negative vent pressure.

Category III

Appliances are non-condensing and operate with a positive vent pressure.

Category IV

Covers condensing appliances with positive vent pressure.

Table 6. Vent systems termination clearance requirements

Structure/Object	Minimum Clearance for Termination Locations	
	USA	CANADA
Door, window, or gravity vent inlet; combustion air inlet for other appliances	9 in. for 10,000 to 50,000 BTU/Hr input; 12 in. for input exceeding 50,000 BTU/Hr.	9 in. (230mm) for 10,000 to 50,000 BTU/Hr input; 12 in. (305mm) for input exceeding 50,000 BTU/Hr.
Forced air inlet within 10 ft.	3 ft. above	6 ft. (1.8m)
Adjoining Building or parapet	10 ft.	10 ft. (3.04m)
Adjacent public walkways	7 ft. above grade	7 ft. (2.1m) above grade
Electric, gas meters & regulators	4 ft. horizontal	3 ft. (0.9m) horizontally from meter/regulator assembly. 6 ft. (1.8m), any direction, from a gas service regulator vent outlet
Above grade level ^(a)	1 ft.	1 ft. (0.3m)

(a) Minimum above maximum snow depth, or per local code, whichever is greater.

Vent connectors serving Category I and Category II heaters shall not be connected into any portion of mechanical draft systems operating under positive vent pressure.

Maintain clearance between the vent pipe and combustible materials according to vent pipe manufacturer's instructions.

Additional Requirements for Canadian Installations

The following instructions apply to Canadian installations in addition to installation and operating instructions.

1. Installation must conform with local building codes, or in the absence of local codes, with current CSA-B149.1, Installation Codes for Natural Gas Burning Appliances and Equipment, or CSA-B149.2, Installation Codes for Propane Gas Burning Appliances and Equipment.
2. Any reference to U.S. standards or codes in these instructions are to be ignored and the applicable Canadian standards or codes applied.

Standard Combustion

Vertically Vented Unit Heaters (Category I)

WARNING

Proper Vent Pipe Required!

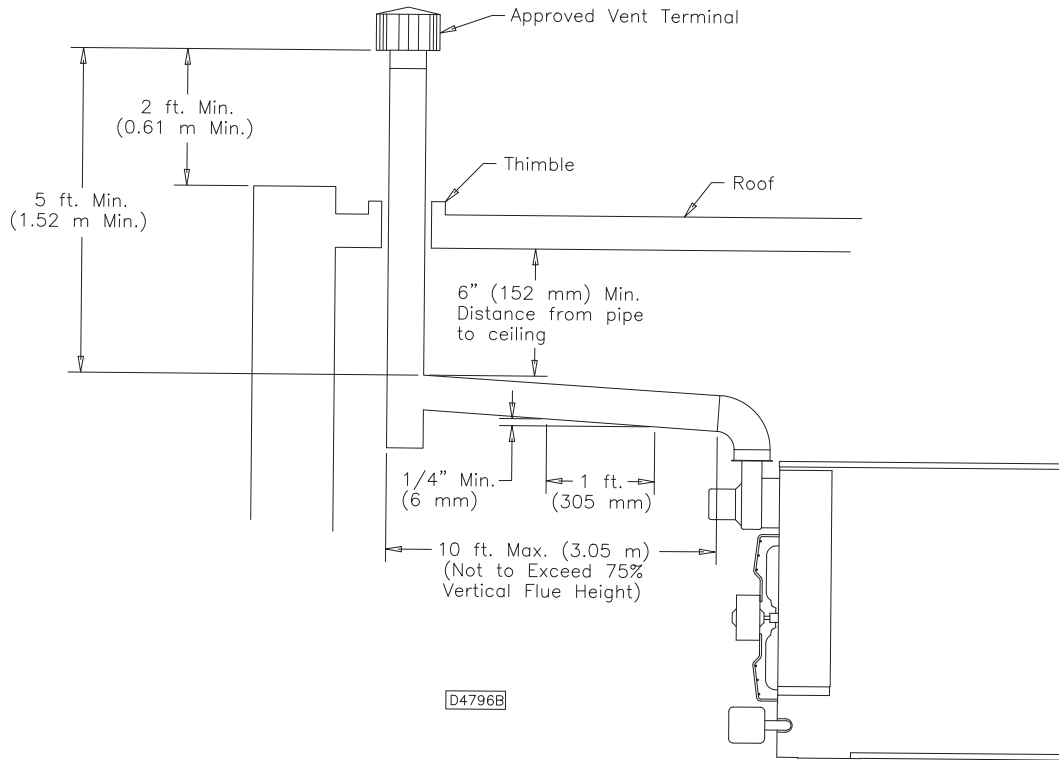
Failure to follow instructions could result in death, serious injury, and property damage.

**Never use a pipe of a diameter other than specified!
Never use PVC, ABS, or any other non-metallic pipe for venting!**

Observe the following precautions when venting the unit:

1. Use whichever flue pipe diameter is larger: a flue pipe of the same size as the flue connections on the gas unit heater (refer to [Table 1, p. 8](#)) or the venting diameter indicated by ANSI Z223.1 (NFPA 54), Chapter 13, Table 13.1. For Canadian installations, use CSA B149.1-15, Table C.1 & C.2 in lieu of NFPA 54. All heaters should be vented with single or double wall vent, a factory built chimney, or a lined brick and mortar chimney that has been constructed in accordance with the National Building Code. Type B vent should only be used for vertical rise portions of a Category I vent pipe system.
2. Provide as long a vertical run of flue pipe at the gas unit heater as possible. A minimum of 5 ft (1.5m) of vertical flue is required. The top of the vent pipe should extend at least 2 ft (0.61m) above the highest point on the roof within 10 ft (3.05m) of the termination. Install a weather cap over the vent opening. Consideration should be made for anticipated snow depth.
3. Slope horizontal runs upward from the gas unit heater at least 1/4 inch per foot (21mm/m) minimum. Horizontal runs should not exceed 75% of the vertical height of the vent pipe, or chimney, above the flue pipe connection, up to a maximum length of 10 ft (3m). Horizontal portions of the venting system shall be supported at minimum intervals of 4 ft (1.2m). See Figure 7. In Canada, support at minimum intervals of 3 ft (1m).
4. Use as few elbows as possible. A minimum of 1 foot (305mm) is required between the power venter and the first elbow. The vent pipe equivalent length must not exceed 50 ft (15.2m). Equivalent length is the total length of straight sections PLUS 10 ft (3.05m) for each 90 degree elbow and 4 ft (1.22m) for each 45 degree elbow.
5. Avoid running vent pipe through unheated indoor spaces.
6. When this cannot be avoided, insulate the pipe to prevent condensation of moisture on the walls of the pipe.
7. Do not damper the flue piping. Failure to open such a damper prior to operating the gas unit heater will result in the spillage of flue gas into the occupied space.
8. Avoid installing units in areas under negative pressure due to large exhaust fans or air conditioning. When required, a flue vent fan should be installed in accordance with the instructions included with the fan.
9. Each unit must have an individual vent pipe and vent terminal! Each unit **MUST NOT** be connected to other vent systems or to a chimney. Vent connectors serving Category I and Category II heaters shall not be connected into any portion of mechanical draft systems operating under positive pressure.

Figure 17. Vertically vented tubular unit heater – category I



Horizontally Vented Unit Heaters (Category I)

⚠ WARNING

Proper Vent Pipe Required!

Failure to follow instructions could result in death, serious injury, and property damage.

**Never use a pipe of a diameter other than specified!
Never use PVC, ABS, or any other non-metallic pipe for venting!**

Note: Horizontal Venting is only considered Category I for commercial applications if the unit is non-condensing and there is negative vent pressure in the flue pipe. If flue pipe is under positive pressure, refer to "Horizontally Vented Unit Heaters (Category III)," p. 28 section.

Observe the following precautions when venting the unit:

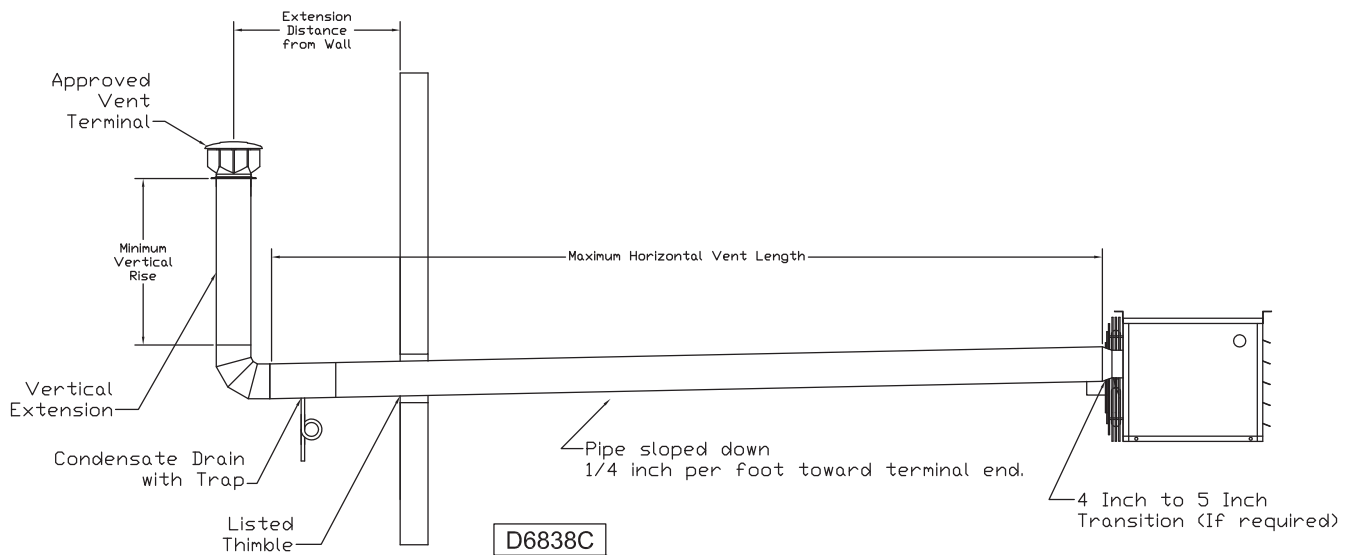
1. Use whichever flue pipe diameter is larger: a flue pipe of the same size as the flue connections on the gas unit heater (refer to [Table 1, p. 8](#)) or the venting diameter indicated by ANSI Z223.1 (NFPA 54), Chapter 13, Table 13.1. For Canadian installations, use CSA B 149.1-15, Table C.1 and C.2 in lieu of NFPA 54. All heaters should be vented with appropriately sealed double wall or single wall vent. Venting systems using Type B vent must comply with National Fuel Gas Code, ANSI Z223.1 (NFPA 54)
2. Each unit must have an individual vent pipe and vent terminal. Unit must not be connected to other vent systems or to a chimney.
3. The system must have a minimum vertical rise to ensure that the vent pipe is under negative pressure. Install a weather cap over the vent opening. A Bredert Type L, Fields Starkap or equivalent vent cap must be supplied by the customer for each power vented unit. Consideration should be made for anticipated snow depth.
4. Through the wall venting for these appliances shall not terminate over public walkways, or over an area where the condensate or vapor could create a nuisance, hazard, or could be detrimental to the operation of regulators, relief valves, or other equipment. Refer to [Table 6, p. 24](#) for additional vent termination clearance requirements.
5. A minimum of 5 ft (1.5m) of horizontal flue is required. The vent terminal must be at least 12 inches (305mm) from the exterior of the wall that it passes through to prevent degradation of the building material by flue gases.
6. Seal all vent pipe joints and seams to prevent leakage. Use General Electric RTV-108, Dow-Corning RTV-732, or equivalent silicone sealant with a temperature rating of 500°F, or 3M # 425 aluminum foil tape (or equivalent). The vent pipe equivalent length must not exceed 50 ft (15.2m). Equivalent length is the total length of straight sections PLUS 10 ft (3.05m) for each

- 90 degree elbow and 4 ft (1.22m) for each 45 degree elbow. A minimum of 1 foot (305mm) is required between the power venter and the first elbow.
- The vent system must be installed to prevent collection of condensate. Pitch horizontal pipes downward $\frac{1}{4}$ inch per foot (21mm per meter) toward the outlet for condensate drainage. Install a tee with a condensate drain at the low point of the pipe (refer to [Figure 18, p. 27](#)). As an alternate, a $\frac{3}{8}$ inch diameter hole may be drilled at the low point of the pipe for condensate drainage.
 - Horizontal portions of the venting system shall be supported at minimum intervals of 4 ft (1.2m) to

prevent sagging (in Canada, support at 3 foot (1m) minimum intervals).

- Avoid running vent pipe through unheated spaces. When this cannot be avoided, insulate the pipe to prevent condensation of moisture on the walls of the pipe.
- Each unit must have an individual vent pipe and vent terminal! Each unit **MUST NOT** be connected to other vent systems or to a chimney. Vent connectors serving Category I and Category II heaters shall not be connected into any portion of mechanical draft systems operating under positive pressure.

Figure 18. Horizontally vented unit heater – category I



Horizontally Vented Unit Heaters (Category III)

⚠ WARNING

Proper Vent Pipe Required!

Failure to follow instructions could result in death, serious injury, and property damage.

**Never use a pipe of a diameter other than specified!
Never use PVC, ABS, or any other non-metallic pipe for venting!**

Horizontal venting arrangements are designed to be used with single wall vent pipe. Horizontal venting arrangements must terminate external to the building using UL 1738 listed vent. For installations in Canada, use corrosion resistant and gas-tight, listed vent pipe conforming with local building codes, or in the absence of local building codes, with current CSA-B149.1, Installation Codes for Natural Gas Burning Appliances and Equipment or CSA-B149.2, Installation Codes for Propane Gas Burning Appliances and Equipment. Refer to [Figure 19, p. 28](#), [Figure 21, p. 29](#), and [Figure 23, p. 30](#) for special installation requirements regarding these venting conditions.

⚠ WARNING

Hazardous Flue Gas!

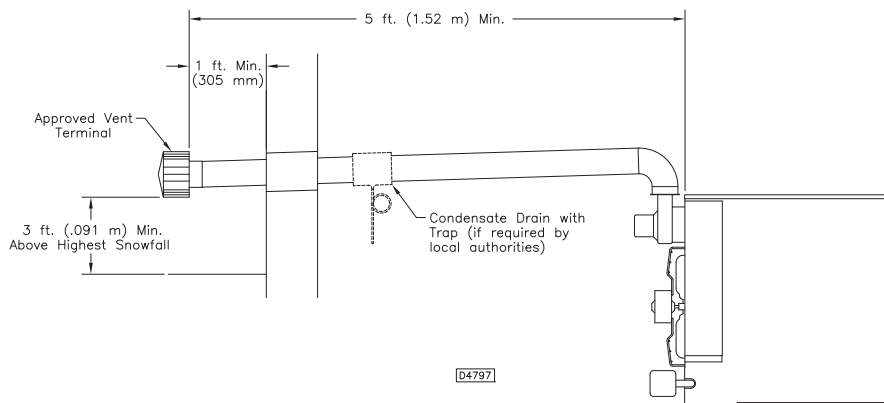
Failure to follow instructions could result in flue gas leaks into the space resulting in death, serious injury, or substantial property damage.

Do not use Type B (double wall) vent internally within the building on horizontally vented power vented units.

For Canada only: Where allowed by code, appropriately sealed 26-gauge or heavier galvanized steel or equivalent single-wall pipe may be used.

If double wall venting is used, components which are UL Listed and approved for Category III positive pressure venting systems MUST be used.

Figure 19. Horizontally vented unit heater – category III



A Breidert Type L, Fields Starkap, or equivalent vent cap must be supplied by the customer for each power vented unit. The vent pipe diameter MUST be as specified in Table 1. All unit sizes are factory equipped with the required flue size collar; attach in place (if not mounted to outlet); refer to [Figure 4, p. 12](#) for flue collar adapter attachment.

The vent terminal must be at least 12 inches (305mm) from the exterior of the wall that it passes through to prevent degradation of the building material by flue gases.

Through the wall vent for these appliances shall NOT terminate over public walkways, or over an area where the condensate or vapor could create a nuisance or hazard or could be detrimental to the operation of regulators, relief valves, or other equipment. Refer to [Table 6, p. 24](#) for additional vent termination clearance requirements.

The vent pipe equivalent length must not exceed 50 ft (15.2m). Equivalent length is the total length of straight sections PLUS 10 ft (3.05m) for each 90 degree elbow and 4 ft (1.22m) for each 45 degree elbow. A minimum of 1 foot (305mm) is required between the power venter and the first elbow.

Maintain clearance between the vent pipe and combustible materials according to vent pipe manufacturer's instructions.

The vent air system must be installed to prevent collection of condensate. Pitch horizontal pipes downward 1/4 inch per foot (21mm per meter) toward the outlet for condensate drainage.

Horizontal portions of the venting systems shall be supported at maximum intervals of 4 ft (1.2m) to prevent sagging (in Canada, support at 3 ft (1m) maximum intervals).

Insulate single wall vent pipe exposed to cold air or running through unheated areas.

Each unit must have an individual vent pipe and vent terminal! Each unit MUST NOT be connected to other vent systems or to a chimney.

Figure 20. Vertical vent termination installation, single wall

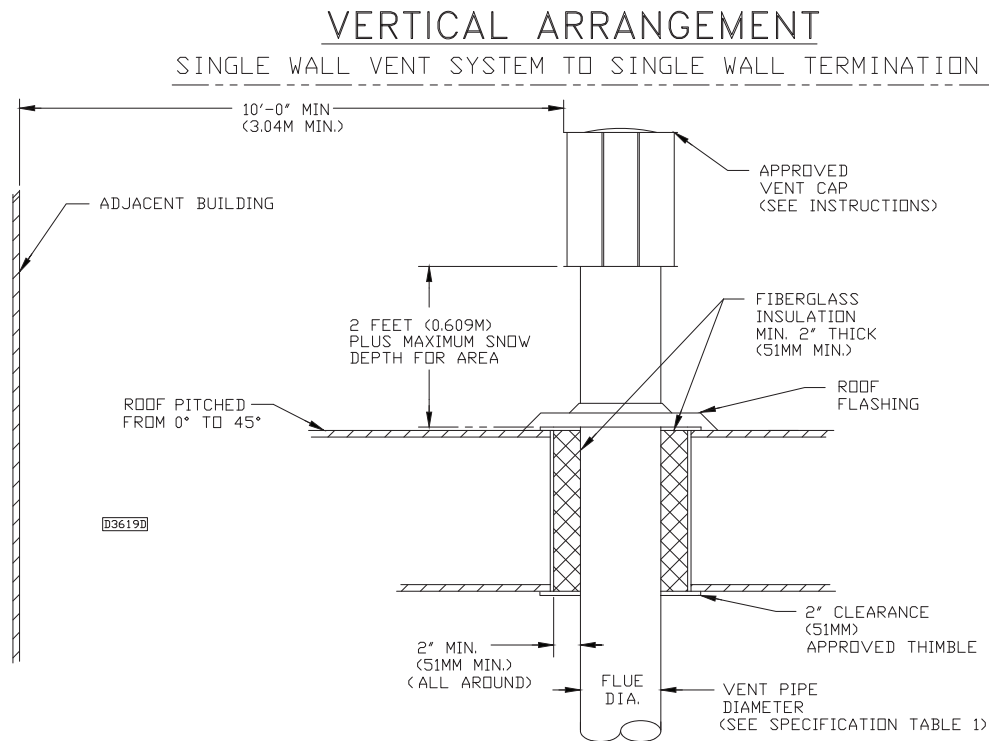


Figure 21. Horizontally vent termination installation, single wall

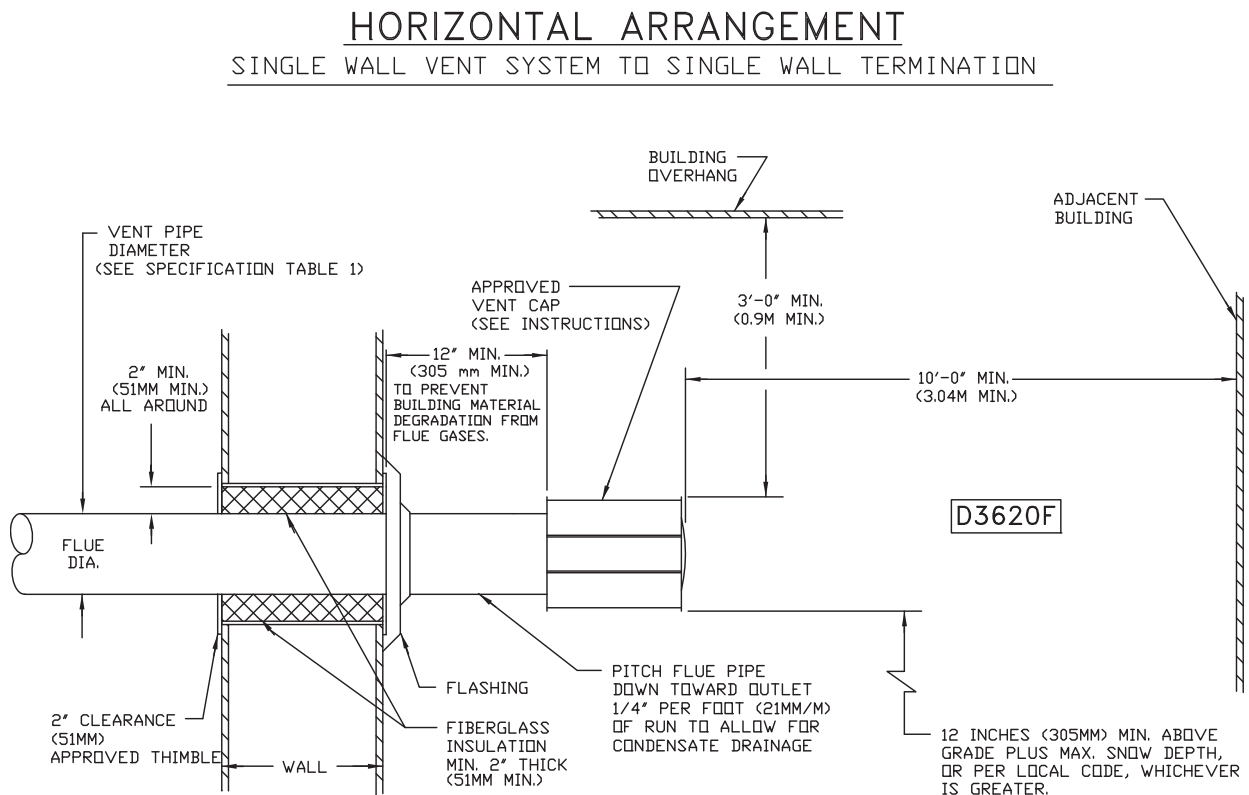


Figure 22. Vertical vent termination installation, single to double wall

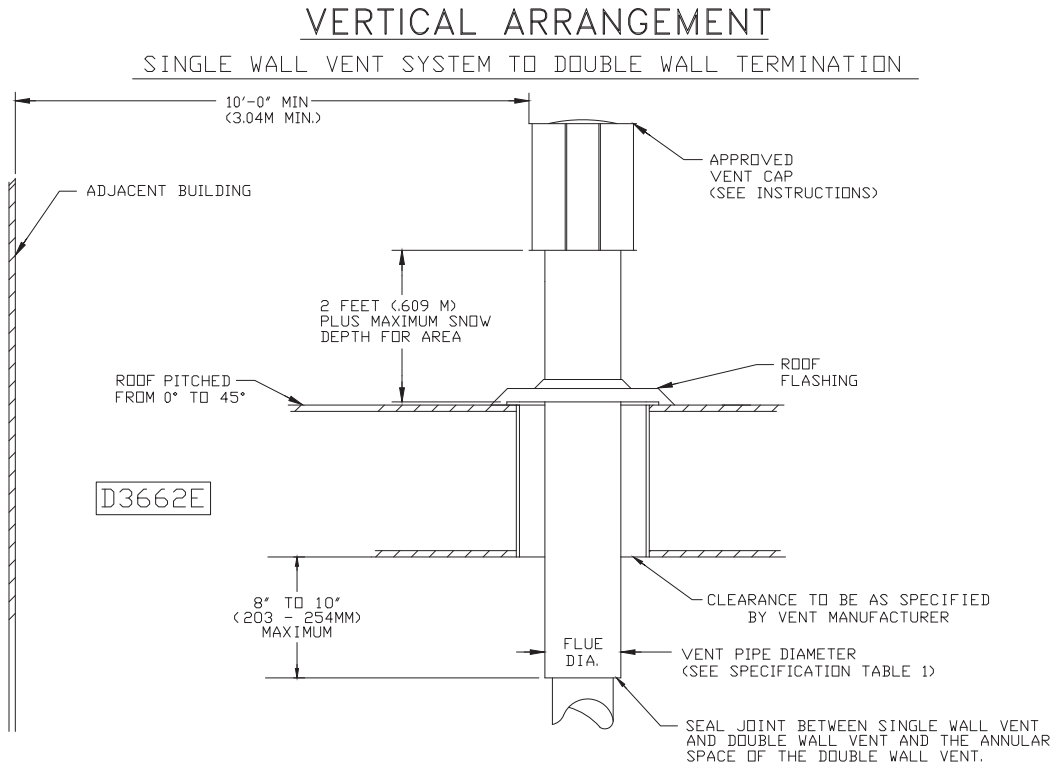
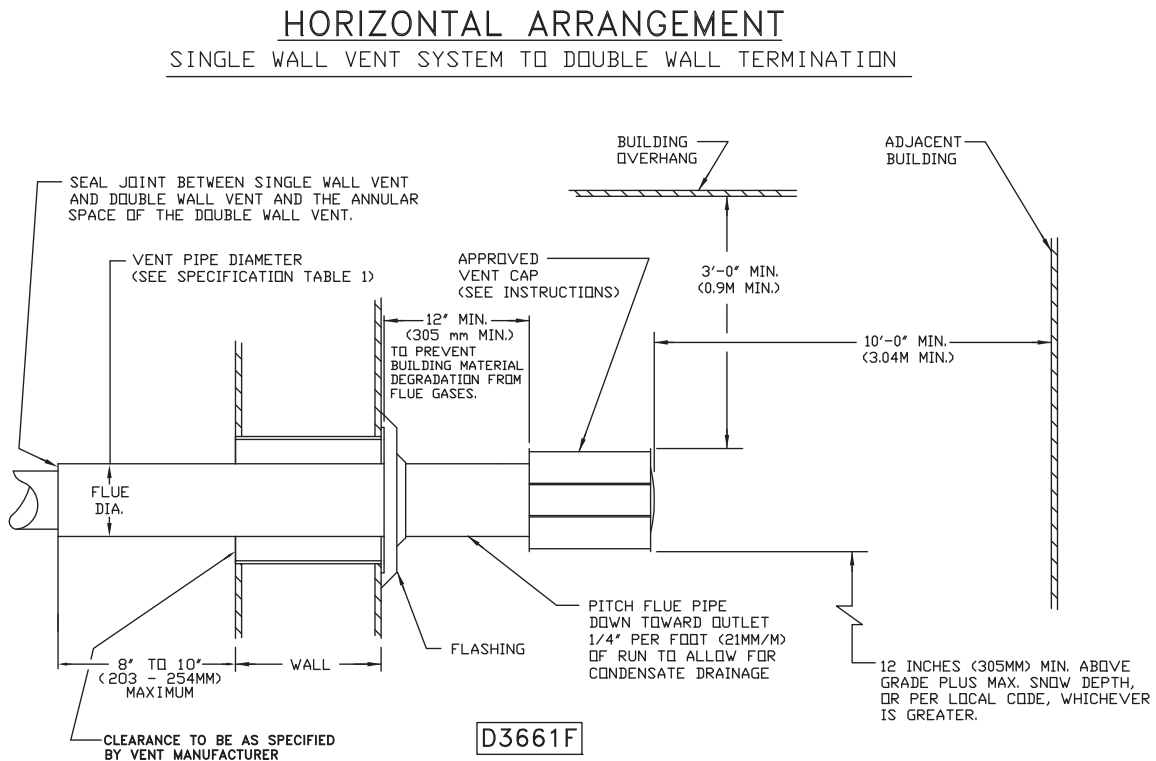


Figure 23. Horizontal vent termination installation, single to double wall



Separated Combustion

Notes:

- Combustion and exhaust venting instructions below describe two-pipe venting. If venting concentrically, a Combustion Air Inlet Kit is required and instructions included in the kit should be followed.
- For unit sizes 300-400 MBH, there are two (2) 5 inch combustion air inlet collars on the rear cover panel to provide even air distribution across the burner. The collars should be connected via a field supplied tee. A 6 inch combustion air inlet pipe should then be used between the tee and the vent termination (two-pipe venting) or the combustion air inlet box (concentric venting).

Combustion Air Venting and Piping

⚠ WARNING

Carbon Monoxide Poisoning!

Failure to follow these instructions could result in Carbon Monoxide Poisoning (symptoms include grogginess, lethargy, inappropriate tiredness, or flu-like symptoms) which could result in death or serious injury.

Never operate a unit without combustion air and flue gas piping in place. Each unit MUST have an individual vent pipe! Each unit MUST NOT be connected to other vent systems or to a chimney. Your venting system must not be blocked by any snow, snow drifts, or any foreign matter. Inspect your venting system to ensure adequate ventilation exists at all times!!

1. The combustion air system installation must be in accordance with the current National Fuel Gas Code-NFPA 54 or ANSI Z223.1 National Fuel Gas Code. In Canada, installation must be in accordance with CSA-B149.1 "Installation Code for Natural Gas Burning Appliances and Equipment" and CSA-B149.2 "Installation Code for Propane Burning Appliances and Equipment".
2. A Breidert Type L or Fields inlet cap, furnished by the customer, must be installed at the termination point of the combustion air system, [Figure 24, p. 33](#) and [Figure 25, p. 34](#).

⚠ WARNING

Carbon Monoxide Poisoning!

Incorrect inlet and exhaust pipe installations could cause carbon monoxide to be pushed into occupied spaces, and result in death or serious injury, and equipment damage.

Combustion air inlet pipe and exhaust flue pipe terminations should be on the same plane. Both must terminate on the same side of the building or both through the roof of the building.

3. Each unit heater MUST have its own combustion air system. It MUST NOT be connected to other air intake systems.
4. Combustion air intake duct may be PVC, CPVC, Type B vent, single wall, double wall or other material approved by local code authority. Never use duct size other than diameter stated in Table 1.

⚠ WARNING

Carbon Monoxide Poisoning!

Using incorrect pipe diameters could cause the unit to produce carbon monoxide, or flame rollout, which could result in death or serious injury, and equipment damage. Use only pipe diameters specified in this manual.

5. Long runs of single wall combustion air piping passing through an unheated space may require insulating if condensation becomes noticeable.
6. The combustion air system must be installed to prevent collection of condensate. Pitch horizontal pipes downward 1/4 in. per foot (21mm/m) toward the inlet cap to facilitate drainage. Vertical combustion air pipes should be piped as depicted in [Figure 24, p. 33](#).
7. The equivalent length of the vent system must not be less than 5 ft. and must not exceed 50 ft. (15.2m) for combustion air vent pipe, excluding flue pipe. Equivalent length equals the total length of straight pipe PLUS 10 ft. (3.05m) for each 90° elbow and 4 ft. (1.22m) for each 45° elbow.

Note: For optimum performance keep the combustion air system as straight as possible.

8. Each slip joint must be secured with at least three corrosion resistant screws. Two full turns of 3M #425 Aluminum Foil Tape or its equivalent must then be used to seal each joint. General Electric RTV-108, Dow-Corning RTV-732 or an equivalent may be used instead of the tape.
9. For horizontal combustion air systems longer than 5 ft. (1.5m), the system must be supported from overhead building structures at 3 ft. (1m) intervals.

Exhaust Venting**⚠ WARNING****Carbon Monoxide Poisoning!**

Failure to follow these instructions could result in Carbon Monoxide Poisoning (symptoms include grogginess, lethargy, inappropriate tiredness, or flu-like symptoms) which could result in death or serious injury.

Never operate a unit without combustion air and flue gas piping in place. Each unit MUST have an individual vent pipe! Each unit MUST NOT be connected to other vent systems or to a chimney. Your venting system must not be blocked by any snow, snow drifts, or any foreign matter. Inspect your venting system to ensure adequate ventilation exists at all times!

1. Vent system installation must be in accordance with the current National Fuel Gas Code-NFPA 54 or ANSI Z223.1 National Fuel Gas Code. In Canada installation must be in accordance with CSA-B149.1 "Installation Code for Natural Gas Burning Appliances and Equipment" and CSA-B149.2. "Installation Code for Propane Burning Appliances and Equipment".
2. A Bredert Type L or Fields vent cap, furnished by the customer, must be installed at the termination point of the vent system, [Figure 24, p. 33](#) & [Figure 25, p. 34](#).

⚠ CAUTION**Carbon Monoxide Poisoning!**

Incorrect inlet and exhaust pipe installations could cause carbon monoxide to be pushed into occupied spaces, and result in death or serious injury, and equipment damage.

Combustion air inlet pipe and exhaust flue pipe terminations should be on the same plane. Both must terminate on the same side of the building or both through the roof of the building.

3. Each unit heater MUST have its own vent system. It MUST NOT be connected to other vent systems or to a chimney.
4. Use UL 1738 Listed single wall pipe. For installations in Canada, use corrosion resistant and gas-tight, listed vent pipe conforming with local building codes, or in the absence of local building codes, with current CSA-B149.1, Installation Codes for Natural Gas Burning Appliances and Equipment or CSA-B149.2, Installation Codes for Propane Gas Burning Appliances and Equipment.

⚠ WARNING**Proper Vent Pipe Required!**

Failure to follow instructions could result in death, serious injury, and property damage.

Never use a pipe of a diameter other than specified! Never use PVC, ABS, or any other non-metallic pipe for venting!

5. Any run of single wall vent pipe passing through an unheated space must be insulated with an insulation suitable to 550°F (288°C).
6. The vent system must be installed to prevent collection of condensate. Pitch horizontal pipes downward 1/4 in. per foot (21mm/m) toward the vent cap to facilitate drainage. Vertical vent pipes should be piped as depicted in [Figure 24, p. 33](#).
7. The equivalent length of the vent system must not be less than 5 ft. (1.5m) and must not exceed 50 ft. (15.2m) for exhaust flue pipe, excluding combustion air pipe. Equivalent length equals the total length of straight pipe PLUS 10 ft. (3.05m) for each 90° elbow and 4 ft. (1.22m) for each 45° elbow. A minimum of 1 foot (305mm) is required between the power venter and the first elbow.
8. Each slip joint must be secured with at least three corrosion resistant screws. Two full turns of 3M #425 Aluminum Foil tape or its equivalent must then be used to seal each joint. General Electric RTV-108, Dow-Corning RTV-732 or an equivalent may be used instead of the tape.
9. For horizontal vent systems longer than 5 ft. (1.5m), the system must be supported from overhead building structures at 3 ft. (1m) intervals.
10. The exhaust vent system must remain at a minimum distance of 6 in. (152mm) from all combustible materials. Any part of the vent system that passes through a combustible material must be properly insulated.

Note: *Increasing the clearance distances may be necessary if there is a possibility of distortion or discoloration of adjacent materials.*

For a VERTICAL vent pipe section that passes through a floor or roof, an opening of 4 in. (102mm) greater than the flue pipe diameter is required (Refer to [Table 1, p. 8](#)). The opening must be insulated and flashed in accordance with applicable installation codes. Refer to [Figure 20, p. 29](#) and [Figure 22, p. 30](#).

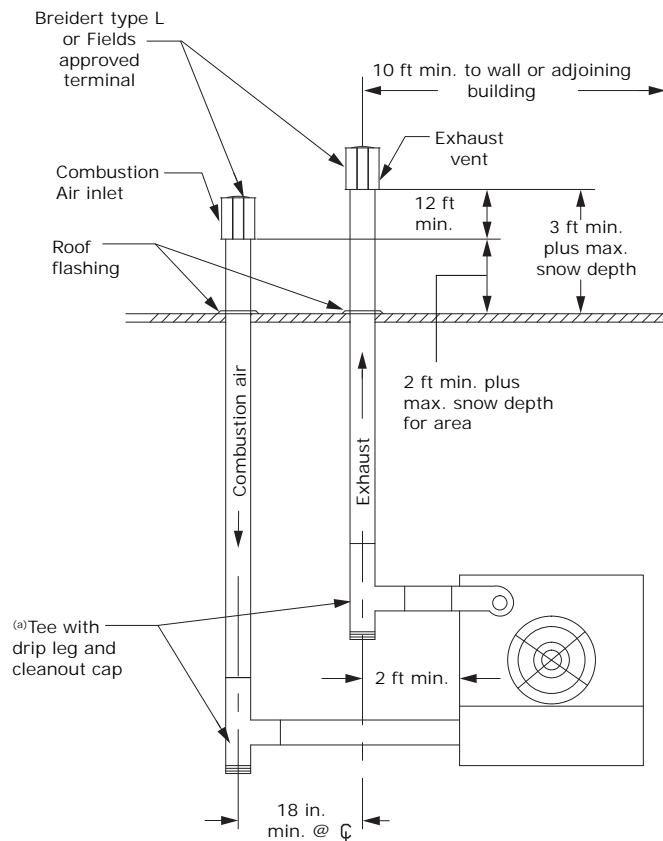
A HORIZONTAL section of an exhaust vent system that passes through a combustible wall must be constructed and insulated as shown in [Figures Figure 21, p. 29](#) and [Figure 23, p. 30](#).

Vertically Vented Unit Heaters (Category I)

Observe the following precautions when venting the unit:

1. Use flue pipe of the same size as the flue connections on the gas unit heater (Refer to [Table 1, p. 8](#)). All heaters should be vented with double wall or single wall vent, a factory built chimney, or a lined brick and mortar chimney that has been constructed in accordance with the National Building Code. Type B vent should only be used for vertical rise portions of a Category I vent pipe system.
2. Provide as long a vertical run of flue pipe at the gas unit heater as possible. A minimum of 5 ft. (1.5m) of vertical flue is required. The top of the vent pipe should extend at least 2 ft. (0.61m) above the highest point on the roof within 10 ft. (3.05m) of the termination. Install a weather cap over the vent opening. Consideration should be made for anticipated snow depth.
3. Slope horizontal runs upward from the gas unit heater at least 1/4 in. per foot (21mm/m) minimum. Horizontal runs should not exceed 75% of the vertical height of the vent pipe, or chimney, above the flue pipe connection, up to a maximum length of 10 ft. (3m). Horizontal portions of the venting system shall be supported at minimum intervals of 4 ft. (1.2m). In Canada, support at minimum intervals of 3 ft. (1m).
4. Use as few elbows as possible. A minimum of 1 foot (305mm) is required between the power venter and the first elbow. The flue pipe equivalent length must not exceed 50 ft (15.2m), excluding combustion air pipe. Equivalent length is the total length of straight sections PLUS 10 ft (3.05m) for each 90° elbow and 4 ft (1.22m) for each 45° elbow.
5. Avoid running vent pipe through unheated indoor spaces.
6. When this cannot be avoided, insulate the pipe to prevent condensation of moisture on the walls of the pipe.
7. Do not damper the flue piping. Failure to open such a damper prior to operating the gas unit heater will result in the spillage of flue gas into the occupied space.
8. Avoid installing units in areas under negative pressure due to large exhaust fans or air conditioning. When required, a flue vent fan should be installed in accordance with the instructions included with the fan.
9. Vent connectors serving Category I and Category II heaters shall not be connected into any portion of mechanical draft systems operating under positive pressure.

Figure 24. Vertical intake/vent installations



⁽⁴⁾If excessive condensation develops, a drip leg with a condensate drain may be required. Insulating the pipes may eliminate the problem.

Horizontally Vented Unit Heaters (Category III)

Horizontal venting arrangements are designed to be used with single wall vent pipe. Horizontal venting arrangements must terminate external to the building using UL 1738 Listed and approved single wall or double wall vent. For installations in Canada, use corrosion resistant and gas-tight, listed vent pipe conforming with local building codes, or in the absence of local building codes, with current CSA-B149.1, Installation Codes for Natural Gas Burning Appliances and Equipment or CSA-B149.2, Installation Codes for Propane Gas Burning Appliances and Equipment.

⚠ WARNING

Hazardous Flue Gas!

Failure to follow instructions could result in flue gas leaks into the space resulting in death, serious injury, or substantial property damage.

Do not use Type B (double wall) vent internally within the building on horizontally vented power vented units.

Single wall and double wall venting components which are UL 1738 Listed and approved for Category III positive pressure venting systems MUST be used.

For Canada only: Where allowed by code, appropriately sealed 26-gauge or heavier galvanized steel or equivalent single-wall pipe may be used.

A Breidert Type L, Fields Starkap, or equivalent vent cap must be supplied by the customer for each power vented unit. The vent pipe diameter MUST be as specified in Table 1. All unit sizes are factory equipped with the required flue size collar; attach in place (if not mounted to outlet); refer to Figure 4, p. 12 for flue collar adapter attachment.

The vent terminal must be at least 12 in. (305mm) from the exterior of the wall that it passes through to prevent degradation of the building material by flue gases.

Through the wall vent for these appliances shall NOT terminate over public walkways, or over an area where the condensate or vapor could create a nuisance or hazard or could be detrimental to the operation of regulators, relief valves, or other equipment. Refer to Table 6, p. 24 for additional vent termination clearance requirements.

The flue pipe equivalent length must not exceed 50 ft. (15.2m), excluding combustion air pipe. Equivalent length is the total length of straight sections PLUS 10 ft. (3.05m) for each 90° elbow and 4 ft. (1.22m) for each 45° elbow. A minimum of 1 foot (305mm) is required between the power venter and the first elbow.

Maintain clearance between the vent pipe and combustible materials according to vent pipe manufacturer's instructions

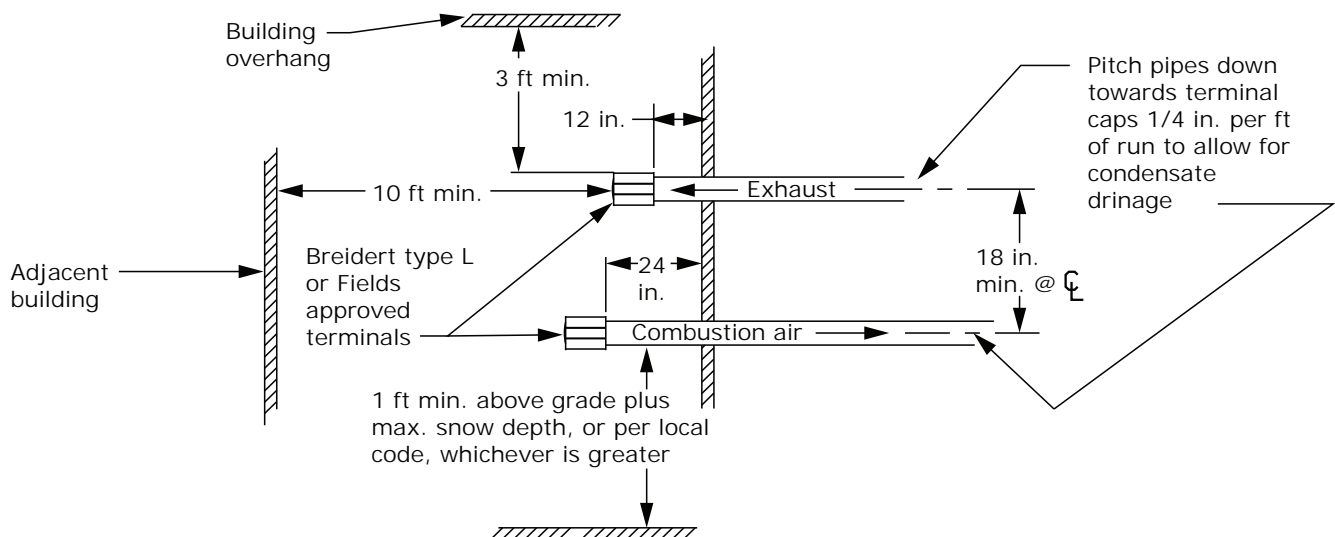
Seal all vent pipe joints and seams to prevent leakage. Use General Electric RTV-108, Dow-Corning RTV-732 silicone sealant or equivalent sealant with a temperature rating of 500°F; or 3M #425 aluminum foil tape (or equivalent). The vent air system must be installed to prevent collection of condensate. Pitch horizontal pipes downward 1/4 inch per foot (21mm per meter) toward the outlet for condensate drainage.

Horizontal portions of the venting systems shall be supported at maximum intervals of 4 ft. (1.2m) to prevent sagging (in Canada, support at 3 ft. (1m) maximum intervals).

Insulate single wall vent pipe exposed to cold air or running through unheated areas.

Each unit must have an individual vent pipe and vent terminal! Each unit MUST NOT be connected to other vent systems or to a chimney.

Figure 25. Horizontal intake/vent locations



Vertically Vented Unit Heaters (Category III)

Vertical venting arrangements are designed to be used with single wall vent pipe. Vertical venting arrangements must terminate external to the building using UL 1738 listed and approved single wall or double wall vent. For installations in Canada, use corrosion resistant and gas-tight, listed vent pipe conforming with local building codes, or in the absence of local building codes, with current CSA-B149.1, Installation Codes for Natural Gas Burning Appliances and Equipment or CSA-B149.2, Installation Codes for Propane Gas Burning Appliances and Equipment.

⚠ WARNING

Hazardous Flue Gas!

Failure to follow instructions could result in flue gas leaks into the space resulting in death, serious injury, or substantial property damage.

Do not use Type B (double wall) vent internally within the building on horizontally vented power vented units.

Single wall and double wall venting components which are UL 1738 Listed and approved for Category III positive pressure venting systems **MUST** be used.

For Canada only: Where allowed by code, appropriately sealed 26-gauge or heavier galvanized steel or equivalent single-wall pipe may be used.

A Breidert Type L, Fields Starkap, or equivalent vent cap must be supplied by the customer for each power vented unit. The vent pipe diameter **MUST** be as specified in Table 1. All unit sizes are factory equipped with the required flue size collar; attach in place (if not mounted to outlet); refer to [Figure 4, p. 12](#) for flue collar adapter attachment.

The top of the vent pipe should extend at least 2 ft (0.61m) above the highest point on the roof within 10 ft (3.05m) of the termination. Consideration should be made for anticipated snow depth. Install the vent cap over the vent opening. Refer to [Figure 25, p. 34](#).

Slope horizontal runs upward from the gas unit heater at least 1/4-inch per foot (21mm/m) minimum. Horizontal portions of the venting system shall be supported at minimum intervals of 4 ft (1.2m) (in Canada, support at 3 foot (1m) minimum intervals).

Vent system terminations for these appliances shall **NOT** terminate in an area where the condensate or vapor could create a nuisance or hazard or could be detrimental to the operation of regulators, relief valves, or other equipment. Refer to [Table 6, p. 24](#) for additional vent termination clearance requirements.

The flue pipe equivalent length must not exceed 50 ft (15.2m). Equivalent length is the total length of straight sections PLUS 10' (3.05m) for each 90° elbow and 4 ft (1.22m) for each 45° elbow. A minimum of 1 foot (305mm) is required between the power venter and the first elbow.

Maintain clearance between the vent pipe and combustible materials according to vent pipe manufacturer's instructions.

Seal all vent pipe joints and seams to prevent leakage. Use General Electric RTV-108, Dow-Corning RTV-732 silicone sealant or equivalent sealant with a temperature rating of 500°F; or 3M #425 aluminum foil tape (or equivalent). The vent air system must be installed to prevent collection of condensate. Slope horizontal runs upward from the gas unit at least 1/4" per foot (21mm per meter) minimum.

Horizontal portions of the venting systems shall be supported at maximum intervals of 4 ft (1.2m) to prevent sagging (in Canada, support at 3 ft (1m) maximum intervals).

Insulate single wall vent pipe exposed to cold air or running through unheated indoor areas.

Each unit must have an individual vent pipe and vent terminal! Each unit **MUST NOT** be connected to other vent systems or to a chimney.



Operation

Direct Spark Ignition

Explanation of Controls

1. The unit heater is equipped with a power vent system that consists of a power venter motor and blower, pressure switch, and sealed flue collector in place of the conventional draft diverter.
2. The power venter motor is energized by the room thermostat through the integrated control board when a demand for heat is sensed. The pressure switch measures the flow through the vent system and energizes the direct spark ignition system beginning the pre-purge timing when the flow is correct.

⚠ WARNING

Carbon Monoxide Poisoning and Fire Hazard!

Failure to follow instructions below could result in death or serious injury, and equipment damage.

Do NOT bypass the pressure switch.

Do NOT fire the unit unless the power venter is operating.

3. The direct ignition system consists of an ignition control module and a gas valve. When the pre-purge period ends, the spark ignition system is energized, and the gas valve opens to supply gas to the burners. When the thermostat is satisfied, the vent system is de-energized and the valve closes to stop the flow of gas to the unit.
4. The limit switch interrupts the flow of electric current to the control board, interrupting the flow of gas to the gas valve if the unit heater becomes overheated.
5. Once the thermostat is satisfied, or the limit switch interrupts the flow of electric current to the control board, the unit will begin a post-purge period. When the post-purge period ends, the power venter motor is de-energized.
6. The fan operation is delayed 30 seconds once the thermostat is closed, and continues operation for 30 seconds after the thermostat opens.

Note: *The start-up fan delay must not exceed 30 seconds from a cold start.*

7. The wall thermostat, supplied optionally, is a temperature sensitive switch that operates the vent and ignition system to control the temperature of the space being heated. The thermostat must be mounted on a vertical, vibration-free surface free from air currents and in accordance with the furnished instructions (also refer to ["Installation - Electrical,"](#) p. 16).

Start-up

Note: *Also refer to lighting instruction plate equipped on the unit.*

1. Open the manual gas valve in the gas supply line to the unit heater. Loosen the union in the gas line to purge it of air. Tighten the union and check for leaks.

⚠ WARNING

Explosion Hazard!

Failure to follow safe leak test procedures below could result in death or serious injury or equipment or property-only-damage.

Never use an open flame to detect gas leaks. Use a leak test solution for leak testing.

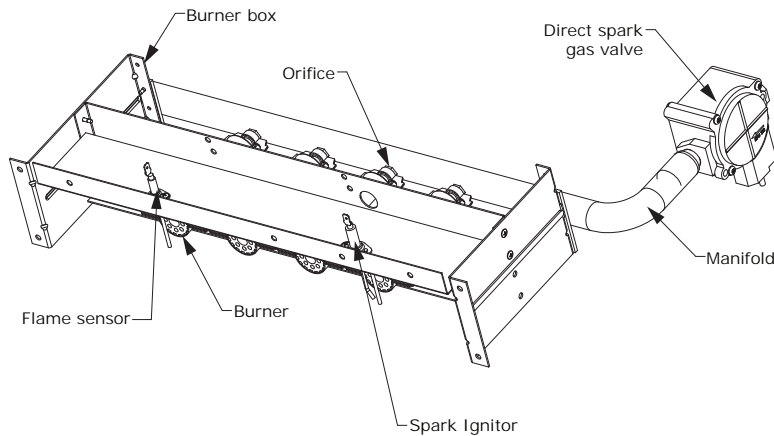
2. Open the manual valve on the unit heater.
3. Turn ON the electrical power.
4. The unit should be under the control of the thermostat. Turn the thermostat to the highest point and determine that the power venter motor starts and the burners ignite. Turn the thermostat to the lowest point and determine that the power venter motor shuts off and the burners are extinguished.
5. Turn the thermostat to the desired position.
6. Refer to ["Gas Input Rate,"](#) p. 37 sections.

Shut Down

1. Turn the valve selector lever to the "OFF" position.
2. Turn off the electricity.
3. To relight, follow [","](#) p. 36 instructions.

Refer to Figures 26 - 33 for parts/identification.

Figure 26. Direct spark ignition system, bottom view



Gas Input Rate

Check the gas input rate as follows (Refer to General Safety Information section for metric conversions).

NOTICE

Heater Damage!

Never overfire the unit heater, as this may cause unsatisfactory operation, or shorten the life of the heater.

1. Turn off all gas appliances that use gas through the same meter as the unit heater.
2. Turn the gas on to the unit heater.
3. Clock the time in seconds required to burn 1 cubic foot of gas by checking the gas meter.
4. Insert the time required to burn one cubic foot of gas into the following formula and compute the input rate.

$$\frac{3600 \text{ (Sec. per Hr.)} \times \text{BTU/Cu. Ft.}}{\text{Time (Sec.)}} = \text{Input Rate}$$

For example:

Assume the BTU content of one cubic foot of gas is 1000, and that it takes 18 seconds to burn one cubic foot of gas.

$$\frac{3600 \times 1000}{18} = 200,000$$

Note: If the computation exceeds, or is less than 95% of the gas BTU/hr. input rating (refer to [Table 1, p. 8](#)), adjust the gas pressure.

Adjust the gas pressure as follows:

1. Natural gas: Best results are obtained when the unit heater is operating at its full rated input with the manifold pressure of 3.5" W.C. (0.9 kPa). Adjustment of the pressure regulator is not normally necessary since it is preset at the factory. However, field adjustment may be made as follows:

- a. Attach manometer at the pressure tap plug adjacent to the control outlet.
 - b. Remove the regulator adjustment screw cap, located on the combination gas valve.
 - c. With a small screwdriver, rotate the adjustment screw counterclockwise to decrease pressure, or clockwise to increase pressure.
 - d. Replace regulator adjustment screw cap.
2. Propane Gas: An exact manifold pressure of 10.0" W.C. (2.5 kPa) must be maintained for proper operation of the unit heater. If the unit is equipped with a pressure regulator on the combination gas valve, follow steps "a" through "d" above. If the unit is not so equipped, the propane gas supply system pressure must be regulated to attain this manifold operating pressure.
 3. The adjusted manifold pressure should not vary more than 10% from pressure specified in the following table.

Table 7. Main burner orifice schedule

Input in 1,000 BTU	Type of Gas	Natural		Propane		No. of Burner orifices
		Heating Value	1050 BTU/Ft ³ (39.1 MJ/m ³)	2500 BTU/Ft ³ (93.1 MJ/m ³)	Manifold Pressure	
100	FT ³ /HR ORIFICE DRILL	93	42	40	53	4
125	FT ³ /HR ORIFICE DRILL	116	42	50	53	5
150	FT ³ /HR ORIFICE DRILL	140	42	60	53	6
175	FT ³ /HR ORIFICE DRILL	163	42	70	53	7
200	FT ³ /HR ORIFICE DRILL	186	42	80	53	8
250	FT ³ /HR ORIFICE DRILL	233	42	100	53	10
300	FT ³ /HR ORIFICE DRILL	280	42	120	53	12



Operation

Table 7. Main burner orifice schedule

Input in 1,000 BTU	Type of Gas	Natural	Propane	No. of Burner orifices
	Heating Value	1050 BTU/Ft ³ (39.1 MJ/m ³)	2500 BTU/Ft ³ (93.1 MJ/m ³)	
	Manifold Pressure	3.5" W.C. (0.87kPA)	10" W.C. (2.49kPA)	
350	FT ³ /HR	326	140	14
	ORIFICE DRILL	42	53	
400	FT ³ /HR	372	160	16
	ORIFICE DRILL	42	53	

Notes:

1. This schedule is for units at operating at normal altitudes of 2000 ft. (610m) or less.
2. When installed in Canada, any references to deration at altitudes in excess of 2000 ft. (610m) are to be ignored. At altitudes of 2000 to 4500 ft. (610 to 1372m), the unit heaters must be field derated to 90% of the normal altitude rating, and be so marked in accordance with ETL certification. Refer to Table 8, p. 38 and Table 9, p. 38 for field deration information.

setting as per the specifications shown on your unit rating plate.

All unit deration must be done through field adjustments by a qualified technician. Once the proper adjustments are made in the field, attach label #J17-06459 to the unit, and record adjusted manifold pressure, altitude of the unit installation and the technician's name and date on the label using a permanent marker.

Refer to Gas Input Rate section for adjusting the manifold pressure.

Tubular Unit Heater- High Altitude Deration

This Tubular Unit Heater has been manufactured utilizing standard burner orifices and a normal manifold pressure

Table 8. High altitude deration - United States

Altitude		Manifold Pressure				BTU Output ^(a)
		Natural Gas ^(b)		Liquid Propane ^(c)		
Feet	Meters	Inches W.C.	Pa	Inches W.C.	Pa	Percentage
0-2,000	0-610	3.5	871	10	2,488	100%
2,001-3,000	611-915	3.0	747	8.5	2,115	92%
3,001-4,000	916-1,220	2.7	672	7.7	1,916	88%
4,001-5,000	1,221-1,525	2.5	622	7.1	1,767	84%
5,001-6,000	1,526-1,830	2.2	547	6.4	1,593	80%
6,001-7,000	1,831-2,135	2.0	498	5.8	1,443	76%
7,001-8,000	2,136-2,440	1.8	448	5.2	1,294	72%
8,001-9,000	2,441-2,745	1.6	398	4.6	1,145	68%
9,001-10,000	2,746-3,045	1.4	348	4.1	1,020	64%

Note: Consult local utility for actual heating value.

(a) Deration based on ANSI Z223.1 (NFPA 54).

(b) Table based on heating value of 1,050 BTU/Cu. ft. at sea level.

(c) Table based on heating value of 2,500 BTU/Cu. ft. at sea level.

Table 9. High altitude deration - Canada

Altitude		Manifold Pressure				BTU Output ^(a)
		Natural Gas ^(b)		Liquid Propane ^(c)		
Feet	Meters	Inches W.C.	Pa	Inches W.C.	Pa	Percentage
0-2,000	0-610	3.5	871	10	2,488	100%
2,001-3,000	611-915	3.2	796	9.2	2,289	96%
3,001-4,000	916-1,220	2.9	722	8.4	2,090	92%
4,001-5,000	1,221-1,371	2.8	697	7.9	1,966	90%

Note: Consult local utility for actual heating value.

(a) Deration based on CGA 2.17-M91

(b) Table based on heating value of 1,050 BTU/Cu. ft. at sea level.

(c) Table based on heating value of 2,500 BTU/Cu. ft. at sea level.



Troubleshooting

Table 10. Troubleshooting

Symptoms	Possible Cause(s)	Corrective Action
1. Flame pops back.	1. Burner orifice too small.	1. Check with local gas supplier for proper orifice size and replace. Refer to "Operation".
2. Noisy Flame.	1. Irregular orifice causing whistle or resonance. 2. Excessive gas input.	1. Replace orifice. 2. Test and reset manifold pressure.
3. Yellow tip flame (some yellow tipping on LP gas is permissible).	1. Clogged main burners. 2. Misaligned orifices. 3. Insufficient combustion air. 4. Possibly over fired.	1. Clean main burner ports. 2. Replace manifold assembly. 3. Refer to "Installation" clearances and venting to ensure unit is properly mounted and vented. 4. Check gas input and manifold pressures.
4. Floating flame.	1. Blocked venting. 2. Insufficient combustion air. 3. Blocked heat exchanger. 4. Air leak into combustion chamber or draft hood.	1. Clean Flue. Refer to "Installation". 2. Clean combustion air inlet openings. 3. Clean heat exchanger. Refer to "Installation". 4. Determine cause and repair accordingly.
5. Gas odor.	1. Shut off gas supply immediately! 2. Leaking gas test port on valve. 3. Blocked heat exchanger. 4. Blocked draft hood. 5. Negative pressure in the building.	1. Inspect all gas piping and repair. 2. Check to ensure gas test ports are sealed. 3. Clean heat exchanger/flue. Refer to "Installation". 4. Clean flue collector. Refer to "Installation". 5. See "Installation".
6. Delayed ignition.	1. Improper ground. 2. Bad or broken spark cable. 3. Faulty control. 4. Pressure regulator set too low. 5. Main burner orifices dirty. 6. Improper venting.	1. Check grounding wires and spark bracket connections. 2. Inspect spark cable connections and cuts. Replace if necessary. 3. Check to ensure spark is energized after pre purge period. 4. Test and reset manifold pressure, refer to "Operation". 5. Clean or replace orifices. 6. Refer to "Installation".
7. Failure to ignite.	1. Gas leak. Shut off gas supply immediately! 2. No power supply to unit. 3. Thermostat not calling. 4. Defective high limit. 5. Defective drafter prove switch. 6. Loose wiring. 7. Improper ground. 8. Improper thermostat or transformer wiring.	1. Open all manual valves, check for leaks. 2. Turn on power supply, check fuses and replace if bad. 3. Turn up thermostat, Check for 24V on terminals R and W1 on terminal strip. 4. Check switch for continuity if open with no heat present, replace. 5. Check switch operation to ensure switch closes after draft or purge period. If it does not make, check tubing connections for blockage. 6. Check all wiring per diagram. 7. Check all ground wires and connections. 8. Check both, for wiring according to diagram; check for 24V at gas valve terminals during trial for ignition period if present and valve does not open. Replace valve.
8. Condensation	1. Improper venting. 2. Unit under fired. 3. Building too cold.	1. Refer to "Installation, Venting". 2. Check gas supply pressures to unit. Refer to "Installation". 3. Refer to "Installation".
9. Burners will not shut off.	1. Thermostat located incorrectly. 2. Improper thermostat wiring. 3. Shorted circuit. 4. Defective/sticking gas valve. 5. Excessive gas supply pressure. 6. Defective thermostat. 7. Defective control board.	1. Relocate thermostat away from outside wall or drafts. 2. Check thermostat circuit for open and close on terminal strip on heater "R" and "W". 3. Check thermostat circuit for shorts or staples piercing wires. 4. Check for 24V on gas valve terminals when thermostat is not calling. 5. Refer to "Installation". "Gas Piping Requirements". 6. If thermostat is calling after set point has been satisfied, replace. 7. Check for 24V at terminals "R" and "W". If not present and board is not in flash code mode, replace board.
10. Rapid burner cycling.	1. Loose electrical connections at thermostat or gas valve. 2. Excessive thermostat heat anticipator setting. 3. Unit cycling on high limit. 4. Poor thermostat location.	1. Tighten all electrical connections. 2. Adjust heat anticipator setting for longer cycles. Refer to "Electrical Connections". 3. Check for proper air supply across heat exchanger and proper gas supply. 4. Relocate thermostat away from outside wall or drafts.

Troubleshooting

Table 10. Troubleshooting (continued)

Symptoms	Possible Cause(s)	Corrective Action
11. Noisy power ventor.	<ol style="list-style-type: none"> 1. Power ventor wheel loose. 2. Power ventor wheel is dirty. 3. Power ventor wheel is rubbing on the housing. 	<ol style="list-style-type: none"> 1. Replace or tighten. 2. Clean power ventor wheel. 3. Realign power ventor wheel.
12. Fan will not run.	<ol style="list-style-type: none"> 1. Loose electrical connections. 2. Defective motor or overload. 3. Defective control board. 	<ol style="list-style-type: none"> 1. Check and tighten wires on fan circuit. 2. Test for 115V on terminal ACB Heat and "L2". If voltage is present, replace motor. 3. Test for 115V on terminal ACB Heat and "L2" on the control board. If voltage is not present 45 seconds after trial for ignition, replace board.
13. Fan motor turns on and off while burner is operating.	<ol style="list-style-type: none"> 1. Motor overload protection is tripping. 2. Loose wiring or connection. 3. Control board is defective. 	<ol style="list-style-type: none"> 1. Check motor amps against motor name plate, check voltage, replace if found defective. 2. Check for 115V between motor leads. 3. Check terminal ACB Heat for voltage. If voltage not constant, replace board.
14. Fan will not stop.	<ol style="list-style-type: none"> 1. Control Board is in flame failure mode. 2. Fan improperly wired. 3. Defective board. 	<ol style="list-style-type: none"> 1. Turn 115V power off to the unit, wait 10 seconds and reapply voltage to the unit. 2. Check wiring of fan circuit to wiring diagram. 3. If unit is not calling for heat and board is not in a flash code mode, replace board.
15. Not enough heat.	<ol style="list-style-type: none"> 1. Incorrect gas input. 2. Heater undersized. 3. Thermostat malfunction. 4. Heater cycling on limit. 5. Incorrect orifice sizes. 	<ol style="list-style-type: none"> 1. Refer to "Operation". 2. Is the heater output sized correctly for heat loss of the space? Has the space been enlarged? 3. Check thermostat circuit, 24V on terminals "R" and "W" on terminal strip. 4. Check air movement across heat exchanger. Check voltage and amps at the fan motor. Check gas input to ensure unit is not over fired. Check heat exchanger to ensure unit is not dirty. 5. Check orifice size, replace if undersized.
16. Too much heat	<ol style="list-style-type: none"> 1. Unit is over fired. 2. Thermostat malfunction. 3. Heater runs continuously 	<ol style="list-style-type: none"> 1. Refer to "Operation". Check orifice size. If too big replace. 2. Check thermostat for operation, to ensure circuit open and closes. 3. Check wiring per diagram; check operation at the gas valve, look for a short in thermostat circuit.
17. Cold air is delivered during heater operation.	<ol style="list-style-type: none"> 1. Incorrect manifold pressure or input. 2. Air throughput too high. 	<ol style="list-style-type: none"> 1. Refer to "Gas Piping Requirements", test and reset manifold pressure. 2. Refer to "Operation".
18. High limit tripping.	<ol style="list-style-type: none"> 1. Unit is over fired. 2. Air flow is low. 3. Defective switch. 4. Defective control board. 	<ol style="list-style-type: none"> 1. Burner orifices may be too large, verify and replace. Refer to "Gas Input Rate". 2. Check for proper voltage, ensure fan blade is correct. 3. Check operation of switch. If switch is open during operation, check gas pressure; adjust accordingly. If switch is open during start-up, replace switch. 4. Check for 24V on line side of the high limit. Constant voltage should be recorded. If not control board is suspect. Check flash code.
19. Power ventor will not run.	<ol style="list-style-type: none"> 1. Loose wiring or connections. 2. Motor overload is tripped or bad motor. 3. Defective control board. 	<ol style="list-style-type: none"> 1. Check all wiring in the power vent circuit to ensure good connection, including "Neutral". 2. Check for 115V between motor leads and check amp draw of motor. Replace if needed. 3. Check for continuous 115V on terminal "CBM Blower" and neutral during call for heat. If not present and all checks are normal, replace.
20. Power ventor turns on and off during operation.	<ol style="list-style-type: none"> 1. Power ventor improperly wired. 2. Motor overload cycling or defective motor. 3. Defective control board. 	<ol style="list-style-type: none"> 1. Check power ventor circuit per wiring diagram. 2. Check motor voltage and amp draw to motor name plate, replace if motor found defective. 3. Check for continuous 115V on terminal "CMB Blower" during call for heat, replace board if found defective.
21. Power ventor will not stop	<ol style="list-style-type: none"> 1. Power ventor improperly wired. 2. Main burner did not light on call for heat. 3. Defective control board. 	<ol style="list-style-type: none"> 1. Check power ventor circuit per wiring diagram. 2. Heater is in lockout mode check flash code table for problem. 3. No flash codes present along with no call for heat, replace control board.

Troubleshooting with LED Indicator Assistance

No cycling or appliance power or thermostat call for heat since appliance failure has occurred.

⚠ WARNING

Live Electrical Components!

Failure to follow all electrical safety precautions when exposed to live electrical components could result in death or serious injury.

When it is necessary to work with live electrical components, have a qualified licensed electrician or other individual who has been properly trained in handling live electrical components perform these tasks.

1. Check the system thermostat to make sure it is calling for heat. (Do not cycle the thermostat on and off at this time.)
2. Do not interrupt power to the control board by opening any electrically interlocked panels.
3. Observe the LED indicator on the bottom of the electrical compartment (a green LED indicates system faults); check and repair system as noted in the chart to the right.

Note: Air flow proving switch and power ventor hose barbs must be free of any dust or debris at all times. Periodically check these openings and/or if any problems occur.

Table 11. Troubleshooting with LED indicator assistance

LED Status	Indicates	Check/Repair
Slow Flash	Control OK, no call for heat.	Not Applicable
Fast Flash	Control OK, call for heat present.	Not Applicable
Steady Off	Internal control fault, or no power.	1. Line voltage on terminals 120 and C on transformer. 2. Low voltage (24V) on terminals 24 and C on transformer. 3. 5 Amp fuse on circuit board.
Steady On	Control internal failure or bad ground.	1. Common side of transformer grounded to chassis. 2. Loose spark ignitor.
2 Flashes	In lockout from failed ignitions or flame losses.	1. Gas supply off or gas supply pressure too low. 2. Flame sense rod contaminated or loose wire. 3. Gas valve switch is off or wires are not connected. 4. Broken or cracked porcelain on flame probe or spark ignitor.
3 Flashes	Pressure Switch open with inducer on or closed with inducer off.	1. Obstructions or restrictions in appliance air intake or flue outlet are preventing proper combustion airflow. 2. Moisture or debris in tubing that connects pressure switch and draft inducer. 3. Airflow switch jumpered or miswired.
4 Flashes	Limit or rollout switch is open.	1. Open manual reset rollout switch. 2. Gas pressure too high, over fire condition. 3. Incorrect airflow due to blockage or motor not operating.
5 Flashes	Flame sensed while gas valve is off.	1. Flame probe miswired or shortened.
6 Flashes	On-board microprocessors disagree.	1. Thermostat is interfering with control board.

Maintenance

Periodic Service

⚠ WARNING

Hazardous Service Procedures!

Failure to follow all precautions in this manual and on the tags, stickers, and labels could result in death or serious injury.

Technicians, in order to protect themselves from potential electrical, mechanical, and chemical hazards, **MUST** follow precautions in this manual and on the tags, stickers, and labels, as well as the following instructions: Unless specified otherwise, disconnect all electrical power including remote disconnect and discharge all energy storing devices such as capacitors before servicing. Follow proper lockout/tagout procedures to ensure the power can not be inadvertently energized. When necessary to work with live electrical components, have a qualified licensed electrician or other individual who has been trained in handling live electrical components perform these tasks.

Note: The heater and vent system should be checked once a year by a qualified technician.

All Maintenance/Service information should be recorded accordingly on the Inspection Sheet provided in this manual.

⚠ WARNING

Hazardous Gases!

Failure to ensure integrity of safety shut-off valves could result in the exposure to hazardous gases, which could result in death, serious injury, and property damage.

Check gas tightness of the safety shut-off valves on at least an annual basis.

To check gas tightness of the safety shut-off valves, turn off the manual valve upstream of the appliance combination control. Remove the 1/8 in. pipe plug on the inlet side of the combination control and connect a manometer to that tapping. Turn the manual valve on to apply pressure to the combination control. Note the pressure reading on the manometer, then turn the valve off. A loss of pressure indicates a leak. If a leak is detected, use a soap solution to check all threaded connections. If no leak is found, combination control is faulty and must be replaced before putting appliance back in service.

Should maintenance be required, perform the following inspection and service routine:

1. Inspect the area near the unit to be sure that there is no combustible material located within the minimum clearance requirements listed in this manual.

⚠ WARNING

Combustible Materials!

Failure to maintain proper clearance between the unit and combustible materials could cause a fire which could result in death or serious injury or property damage.

Refer to unit nameplate and installation instructions for proper clearances.

2. Turn off the manual gas valve and electrical power to the unit heater.
3. To clean or replace the burners, remove any combustion air inlet piping from the unit, remove screws from access cover, and remove access cover. Remove top strip from above burners by removing sheet metal screws. Lift burners up and pull away from manifold to remove.
4. With the burners removed, wire brush the inside surfaces of the heat exchanger.
5. Remove any dirt, dust, or other foreign matter from the burners using a wire brush and/or compressed air.
6. Inspect air inlet for blockage/debris. Clear if any found.
7. Reassemble the unit heater by replacing all parts in reverse order.
8. Check the burner adjustment.
9. Check all gas control valves and pipe connections for leaks.
10. Check the operation of the automatic gas valve by lowering the setting of the thermostat, stopping the operation of the gas duct furnace. The gas valve should close tightly, completely extinguishing the flame on the burners.
11. Inspect and service motor/fan assembly. To maintain efficient air flow, inspect and clean the fan blades and guard to prevent buildup of foreign matter.
12. Check motor lubrication. If oiling is required, add 1 or 2 drops of electric motor oil as follows:
 - a. Light Duty - After 3 years or 25,000 hours of operation.
 - b. Average Duty - Annually after 3 years or 8,000 hours of operation.
 - c. Heavy Duty - Annually after 1 year or at least 1500 hours of operation.

⚠ CAUTION**Risk of Motor Fragments!**

Failure to follow instructions below could result in minor to moderate injury and equipment damage.

Add only the recommended amount of oil to the motor. Over-oiling may cause premature failure of motor, with potential for damaging fragments.

13. Check and test the operational functions of all safety devices supplied with your unit.



Warranty

1. The "Manufacturer" warrants to the original owner at original installation site that the above model Gas-Fired Heater ("the Product") will be free from defects in material or workmanship for (1) year from the date of shipment from the factory, or one and one-half (1-1/2) years from the date of manufacture, whichever occurs first. The Manufacturer further warrants that the complete heat exchanger, flue collector, and burners be free from defects in material or workmanship for a period of ten (10) years from the date of manufacture. If upon examination by the Manufacturer the Product is shown to have a defect in material or workmanship during the warranty period, the manufacturer will repair or replace, at its option, that part of the Product which is shown to be defective.
2. This limited warranty does not apply:
 - a. if the product has been subjected to misuse or neglect, has been accidentally or intentionally damaged, has not been installed, maintained, or operated in accordance with furnished written instructions, or has been altered or modified in any way by any unauthorized person.
 - b. to any expenses, including labor or material, incurred during removal or re installation of the Product
 - c. to any damage due to corrosion by chemicals, including halogenated hydrocarbons, precipitated in the air
 - d. to any workmanship of the installer of the Product
3. This limited warranty is conditional upon:
 - a. advising the installing contractor, who in turn notify the distributor or manufacturer
 - b. shipment to the Manufacturer of that part of the Product thought to be defective. Goods can only be returned with prior written approval of the Manufacturer. All returns must be freight prepaid.
 - c. determination in the reasonable opinion of the Manufacturer that there exists a defect in material or workmanship
4. Repair or replacement of any part under this Limited Warranty shall not extend the duration of the warranty with respect to such repaired or replaced part beyond the stated warranty period.
5. THIS LIMITED WARRANTY IS IN LIEU OF ALL WARRANTIES, EITHER EXPRESS OR IMPLIED, AND ALL SUCH OTHER WARRANTIES, INCLUDING WITHOUT LIMITATION IMPLIED WARRANTIES OF MERCHANTABILITY OR FITNESS FOR A PARTICULAR PURPOSE, ARE HEREBY DISCLAIMED AND EXCLUDED FROM THIS LIMITED WARRANTY. IN NO EVENT SHALL THE MANUFACTURER BE LIABLE IN ANY WAY FOR ANY CONSEQUENTIAL, SPECIAL, OR INCIDENTAL DAMAGES OF ANY NATURE

WHATSOEVER, OR FOR ANY AMOUNTS IN EXCESS OF THE SELLING PRICE OF THE PRODUCT OR ANY PARTS THEREOF FOUND TO BE DEFECTIVE. THIS LIMITED WARRANTY GIVES THE ORIGINAL OWNER OF THE PRODUCT SPECIFIC LEGAL RIGHTS. YOU MAY ALSO HAVE OTHER RIGHTS WHICH MAY VARY BY JURISDICTION.

Identification of Parts

Propeller Unit Heaters

Figure 27. Propeller parts

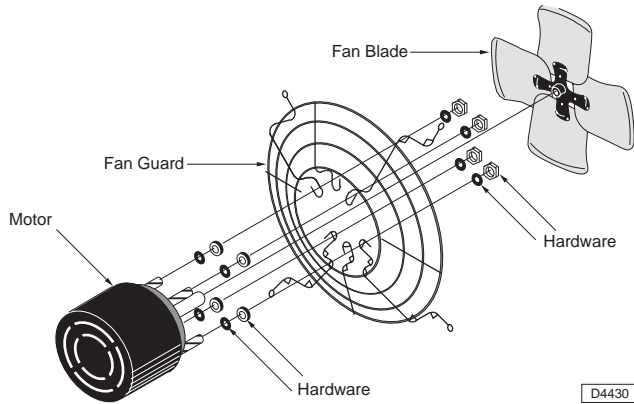
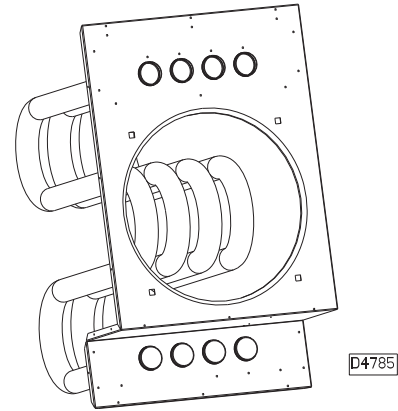


Figure 29. Heat exchanger assembly



Vestibule Panel/Tube Ass'y
(mode-H50 shown)
Dwg.4785

Figure 28. Component parts - rear

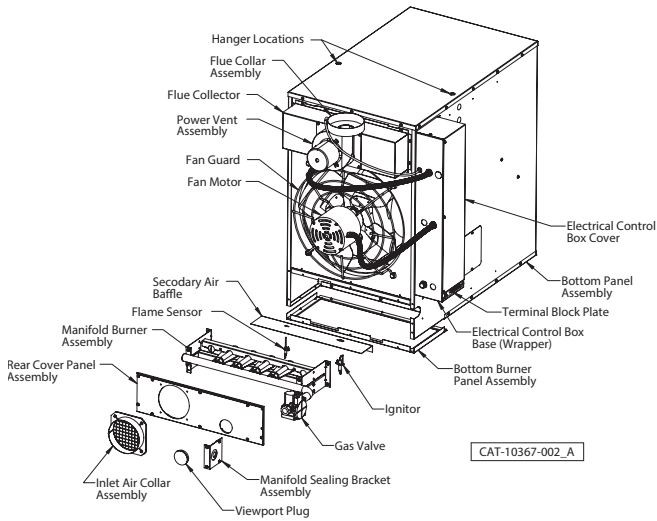
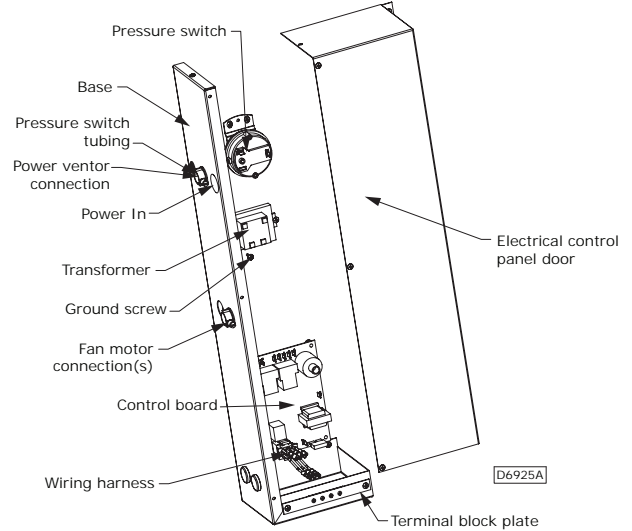
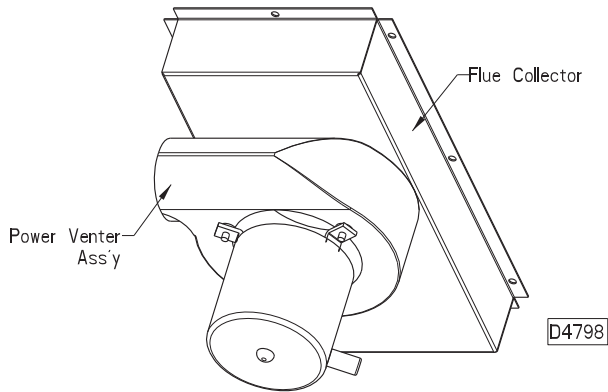


Figure 30. Electrical control panel



Identification of Parts

Figure 31. Power venter assembly (150/250 unit sizes shown)



How to order replacement parts

Please send the following information to your local representative: if further assistance is needed, contact the manufacturer's customer service department.

- Unit Number
- Serial Number
- Part Description and Number as shown in Replacement parts Catalog

Figure 32. Power venter assembly (300/400 unit sizes shown)

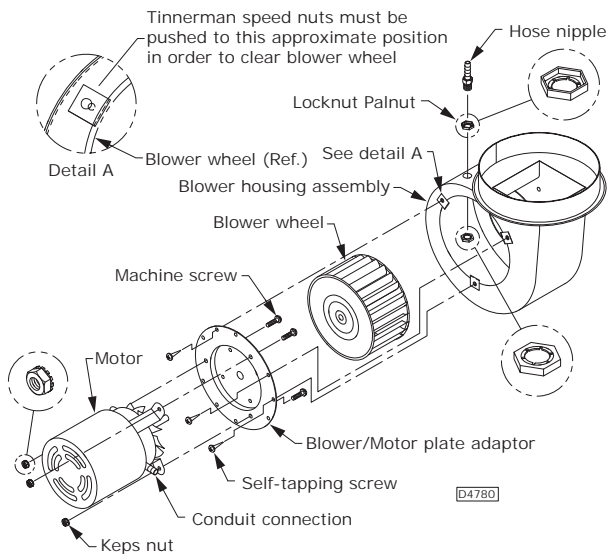
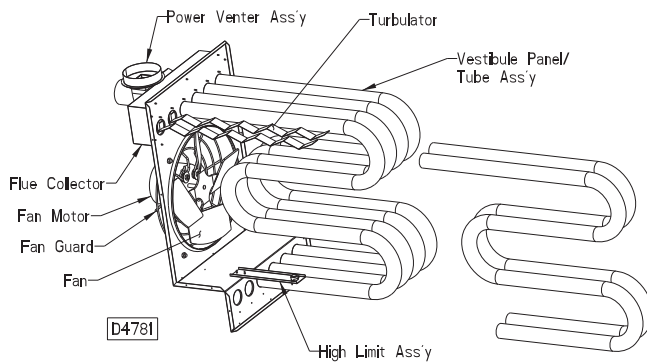


Figure 33. Turbulator/High limit location





Appendix: Checklist

Gas Equipment Start-Up

Customer _____ Job Name and Number _____

Pre-Inspection Information (With Power and Gas Off)

Type of Equipment:	Unit Heater
Serial Number _____	Model Number _____
Name Plate Voltage: _____	Name Plate Amperage: _____
Type of Gas: Natural	LP
Tank Capacity _____ lbs.	_____ kg
Rating: _____ BTU @ _____ °F	_____ kw @ _____ °C

- Are all panels, doors, vent caps in place?
- Has the unit suffered any external damage? Damage _____
- Does the gas piping and electric wiring appear to be installed in a professional manner?
- Has the gas and electric been inspected by the local authority having jurisdiction?
- Is the gas supply properly sized for the equipment?
- Were the installation instructions followed when the equipment was installed?
- Have all field installed controls been installed?
- Do you understand all the controls on this equipment? ***If not, contact your wholesaler or rep.***
(DO NOT START this equipment unless you fully understand the controls.)

GENERAL

With power and gas OFF.

- Make certain all packing has been removed.
- Tighten all electrical terminals and connections.
- Check all fans and blowers for free movement.
- Check all controls for proper settings.

FAN

With power and gas off.

- Check voltage L1___ L2___ L3___
- Check rotation of main propeller(s).
- Check motor amps L1___ L2___ L3___

Gas Heating

With power and gas ON.

- Inlet gas pressure. _____ in. W.C. or _____ kPa
- Burner ignition.
- Manifold gas pressure. _____ in. W.C. or _____ kPa
- Cycle firestat and/or freezestat.
- Check electronic modulation. Set at: _____
- Cycle and check all other controls not listed.
- Check operation of remote panel.
- Entering air temp. _____ °F or _____ °C
- Discharge air temp. (high fire) _____ °F. or _____ °C
- External static pressure _____ in. W.C.
- Cycle by thermostat or operating control.
- Combustion Reading:
Carbon Monoxide: _____ PPM
Carbon Dioxide: _____ %

Remarks: _____

Trane - by Trane Technologies (NYSE: TT), a global climate innovator - creates comfortable, energy efficient indoor environments for commercial and residential applications. For more information, please visit trane.com or tranetechnologies.com.

Trane has a policy of continuous product and product data improvement and reserves the right to change design and specifications without notice. We are committed to using environmentally conscious print practices.