



Owner's Operation and Instruction Manual

MODEL: AWC31

CONFORMS TO UL STD 1482 and CERTIFIED TO ULC STD S627

WASHINGTON STATE APPROVED

MOBILE HOME APPROVED (U.S. ONLY)

U.S. Environmental Protection Agency
Certified to comply with 2015 particulate emissions standards.

CAUTION!

Please read this entire manual before you install or use your new room heater. Failure to follow instructions may result in property damage, bodily injury, or even death.

Improper Installation Could Void
Your Warranty!

SAFETY NOTICE:

If this heater is not properly installed, a house fire may result. For your safety, follow the installation instructions. Never use make-shift compromises during the installation of this heater. Contact local building or fire officials about permits, restrictions and installation requirements in your area.

SAVE THESE INSTRUCTIONS

THIS MANUAL WILL HELP YOU TO OBTAIN EFFICIENT, DEPENDABLE SERVICE FROM THE HEATER, AND ENABLE YOU TO ORDER REPAIR PARTS CORRECTLY. KEEP IN A SAFE PLACE FOR FUTURE REFERENCE.

French version is available for download from the U. S. Stove website: <http://www.usstove.com/>
La version française est disponible pour téléchargement à partir du site U. S. Stove: <http://www.usstove.com/>

United States Stove Co.
227 Industrial Park Road P.O. Box 151
South Pittsburg, TN 37380
(800) 750-2723 • www.usstove.com



CONGRATULATIONS!

You've purchased a heater from North America's oldest manufacturer of wood burning products.

By heating with wood you're helping to CONSERVE ENERGY!

Wood is our only Renewable Energy Resource. Please do your part to preserve our wood supply. Plant at least one tree each year. Future generations will thank you.

The instructions pertaining to the installation of your wood stove comply with UL-1482 and ULC-S627 standards.

This manual describes the installation and operation of the Ashley, AWC31 wood heater.

This heater meets the 2015 U.S. Environmental Protection Agency's crib wood emission limits for wood heaters sold after May 15, 2015. Under specific test conditions this heater has been shown to deliver heat at rates ranging from 11,817 to 31,713 Btu/hr. Note: The BTU ratings mentioned above are based on the EPA test protocol burning dimensional Douglas Fir lumber. Our advertised BTU's are based on the first hour of operation at high burn rate burning cordwood.

Combustible:	Wood
Colors:	Metallic Black
Flue Pipe Diameter:	6" (152.5mm)
Flue Pipe Type: (Standard Single Wall or Double Wall):	Black or Blued Steel 2100°F (650°C)
Minimum Chimney Height:	12' (3.7m)
Maximum Log Length:	21" (533.5mm)
Dimensions	
Overall: Depth x Width x Height:	22" x 30" x 31.25" (559mm x 762mm x 794mm)
Combustion Chamber: Width x Depth:	22 3/4" x 12" (578mm x 305mm)
Volume: Cubic Feet:	1.86 ft ³ (.0527m ³)
Door Opening: Width x Height:	16" x 8" (406.5mm x 203mm)
Pyroceramic Glass Door: (Viewing) Width x Height:	13 13/16" x 8 3/8" (351mm x 213mm)

OPTIONAL ACCESSORIES	
DESCRIPTION	PART #
Outside Air Intake Kit	50FAK

CAUTIONS:

- Hot while in operation. Keep children, clothing and furniture away. Contact may cause skin burns.
- Do not use chemicals or fluids to ignite the fire.
- Do not leave the stove unattended when the door is slightly opened.
- Do not burn garbage, flammable fluid such as gasoline, naphtha or motor oil.
- Do not connect to any air distribution duct or system.
- Always close the door after the ignition.

Note: Register your product on line at www.usstove.com. See "Limited Warranty" section for specific warranty information for your new purchase. Save your receipt with your records for any claims.

TOOLS AND MATERIALS NEEDED FOR INSTALLATION

You will need a drill with a 1/8" bit to install sheet metal screws into connector pipe. A 5/16" socket/wrench or screw driver to install pedestal trim, room air deflector, and blower assembly described below. A 1/2" socket/wrench to install flue collar. A non-combustible floor protector as specified in this manual. All chimney and chimney connector components required for your particular chimney installation. For mobile homes, see page 13.

Assembly

Flue Collar Assembly:

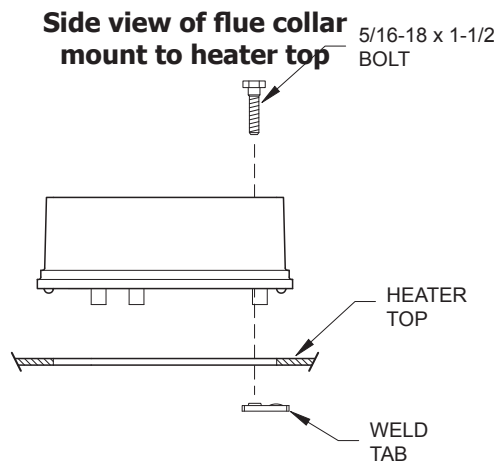
1. Mount the flue collar to the top of the unit as shown using the (3) 5/16-18 x 1-1/2 bolts, (3) washers, and (3) weld tabs provided in the parts box.

Room Air Deflector Assembly:

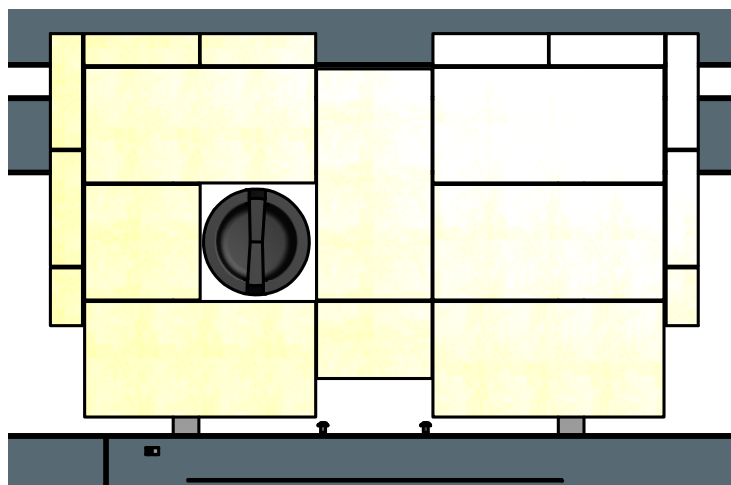
1. Locate the Room Air Deflector. Using the three (3) 1/2 Tek Screws provided, mount the deflector to the unit as shown in the diagram.

Firebrick Configuration:

1. Replace the Firebrick as shown in the illustration below.



Brick Configuration



ASSEMBLY INSTRUCTIONS

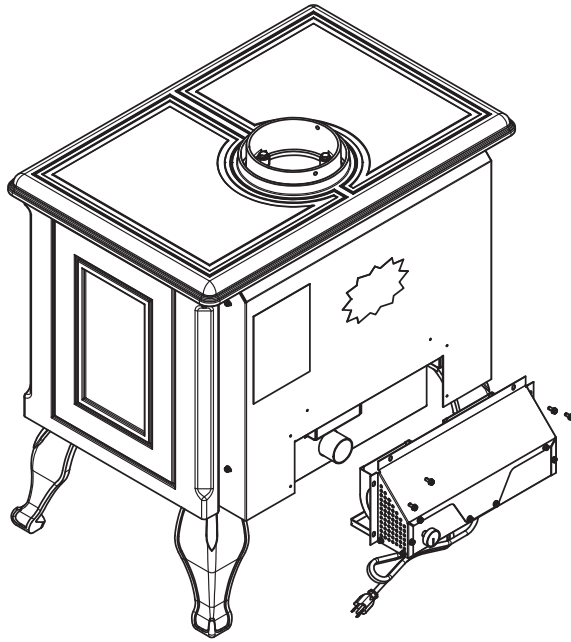
Blower Assembly

THE BLOWER ASSEMBLY MUST BE DISCONNECTED FROM THE SOURCE OF ELECTRICAL SUPPLY BEFORE ATTEMPTING THE INSTALLATION.

THE BLOWER ASSEMBLY IS INTENDED FOR USE ONLY WITH A STOVE THAT IS MARKED TO INDICATE SUCH USE. DO NOT ROUTE THE SUPPLY CORD NEAR OR ACROSS HOT SURFACES!

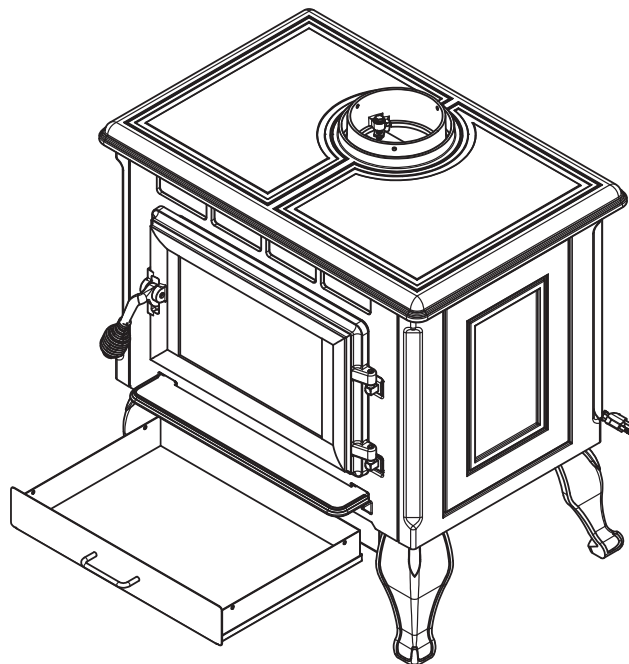
Step 1.

Fix the assembly to the back of the stove with the four screws provided.



ASH PAN ASSEMBLY

Remove ash pan from firebox. Under the firebox, there are two brackets; Slide the ash pan into these brackets.



INSTALLATION

SAFETY NOTICE

- If this stove is not properly installed, a house fire may result. To reduce the risk of fire, follow the installation instructions.
- Consult your municipal building department or fire officials about permits, restrictions and installations requirements in your area.
- Use smoke detectors in the room where your stove is installed.
- Keep furniture and drapes well away from the stove.
- Never use gasoline, gasoline-type lantern fuel, kerosene, charcoal lighter fluid, or similar liquids to start or "freshen up" a fire in this heater. Keep all such liquids well away from the heater while it is in use.
- In the event of a chimney fire, push the air control full closed to deprive the fire of oxygen. Call the fire department.
- Do not connect to any air distribution duct or system.
- A source of fresh air into the room or space heated shall be provided when required.

POSITIONING THE STOVE

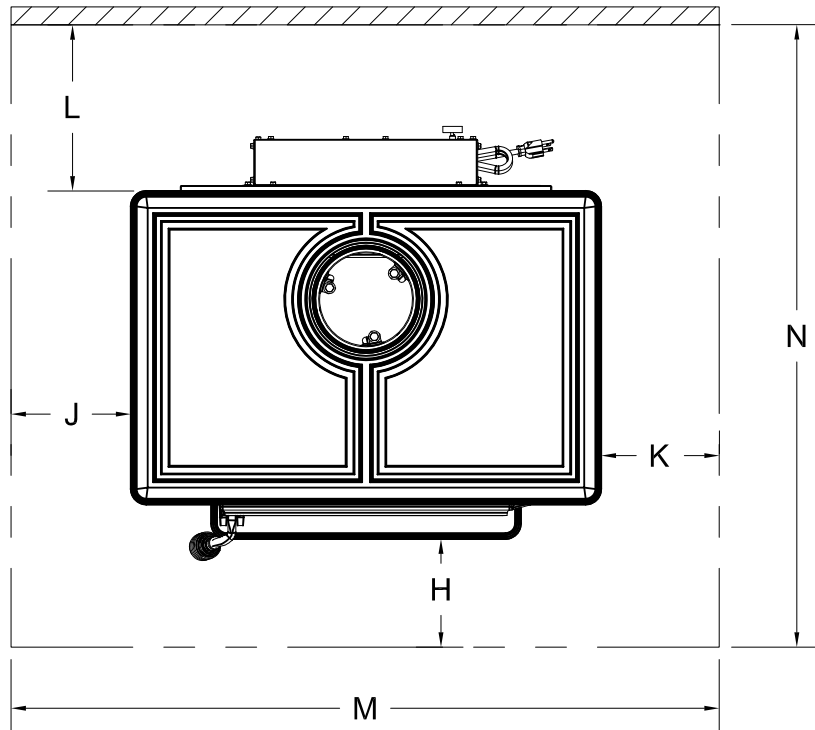
It is very important to position the wood stove as close as possible to the chimney, and in an area that will favor the most efficient heat distribution possible throughout the house. The stove must therefore be installed in the room where the most time is spent, and in the most spacious room possible. Recall that wood stoves produce radiating heat, the heat we feel when we are close to a wood stove. A wood stove also functions by convection, that is through the displacement of hot air accelerated upwards and its replacement with cooler air. If necessary, the hot air distribution from the stove may be facilitated by the installation of a blower.

The wood stove must not be hooked up to a hot air distribution system since an excessive accumulation of heat may occur. A wood stove must never be installed in a hallway or near a staircase, since it may block the way in case of fire or fail to respect required clearances.

FLOOR PROTECTOR

Your wood stove should be placed on a 1 inch, non-combustible surface with a k factor of 0.84. For multiple layers, add R-values of each layer to determine the overall R-value. The R value for the required board is 1.03. If there is a horizontal section of chimney connector, the floor protector should go under it and 2 inches beyond each side. To calculate R-Values for alternative methods, see "Alternate Floor Protector Calculations" section in this manual.

The floor protector should exceed the stove as follows:



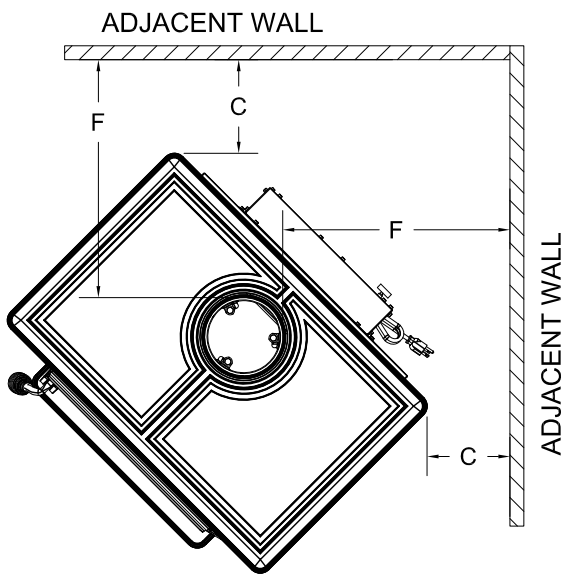
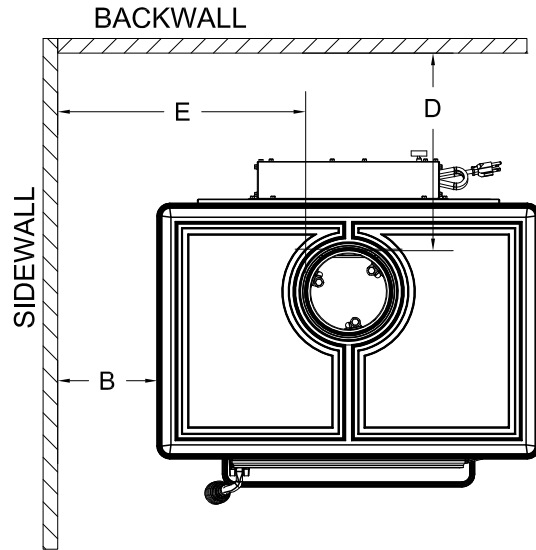
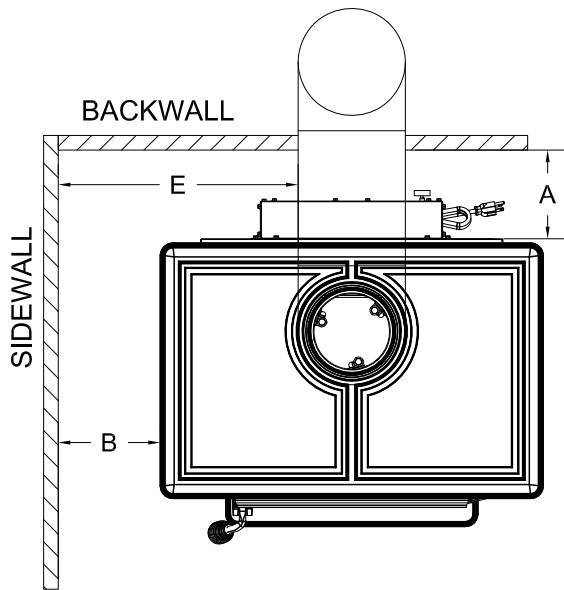
Dimension		Inch	mm
H **	Front	16	635
J **	Left	6	153
K **	Right	6	153
L **	Back	1	25
M	Total Width	46	1169
N	Total Length	53.5	1359

* Canadian installations require 18" (457mm)

** Canadian installations require 8" (203mm)

CLEARANCES TO COMBUSTIBLES

It is of utmost importance that the clearances to combustible materials be strictly adhered to during installation of the stove. Refer to the tables below:



Dimension		Inch	mm
A	Backwall to Stove	16	406
B	Sidewall to Stove	18	457
C	Wall to corner (Angled Installation)	12	305
D	Backwall to Flue	21.5	546
E	Sidewall to Flue	30	762
F	Wall to Flue (Angled Installation)	24	610

- Floor to ceiling height must be at least 7' (2.13m) in all cases.
- Do not place any combustible material within 4' (1.2m) of the front of the unit.
- The clearance between the flue pipe and a wall are valid only for vertical walls and for vertical flue pipe.
- The chimney connector must not pass through an attic or roof space, closet or similar concealed space, a floor, or a ceiling.
- For Canadian installations, where passage through a wall, or partition of combustible construction is desired, the installation must conform to CAN/CSA-B365.
- A flue pipe crossing a combustible wall must have a minimum clearance of 18" (457.2mm).
- To reduce flue clearances from combustible materials, contact your local safety department.

CHIMNEY CONNECTOR (STOVE PIPE)

Your chimney connector and chimney must have the same diameter as the stove outlet (6"). If this is not the case, we recommend you contact your dealer in order to insure there will be no problem with the draft.

The stove pipe must be made of aluminized or cold roll steel with a minimum thickness of 0.021" or 0.53 mm. It is strictly forbidden to use galvanized steel.

Your smoke pipe should be assembled in such a way that the male section (crimped end) of the pipe faces down. Attach each of the sections to one another with three equidistant metal screws.

The pipe must be short and straight. All sections installed horizontally must slope at least 1/4 inch per foot, with the upper end of the section toward the chimney. Any installation with a horizontal run of chimney pipe must conform to NFPA 211. You may contact NFPA (National Fire Protection Association) and request the latest edition of the NFPA Standard 211.

To insure a good draft, the total length of the coupling pipe should never exceed 8' to 10' (2.4m to 3.04 m). (Except for cases of vertical installation, cathedral-roof style where the smoke exhaust system can be much longer and connected without problem to the chimney at the ceiling of the room).

There should never be more than two 90 degrees elbows in the smoke exhaust system.

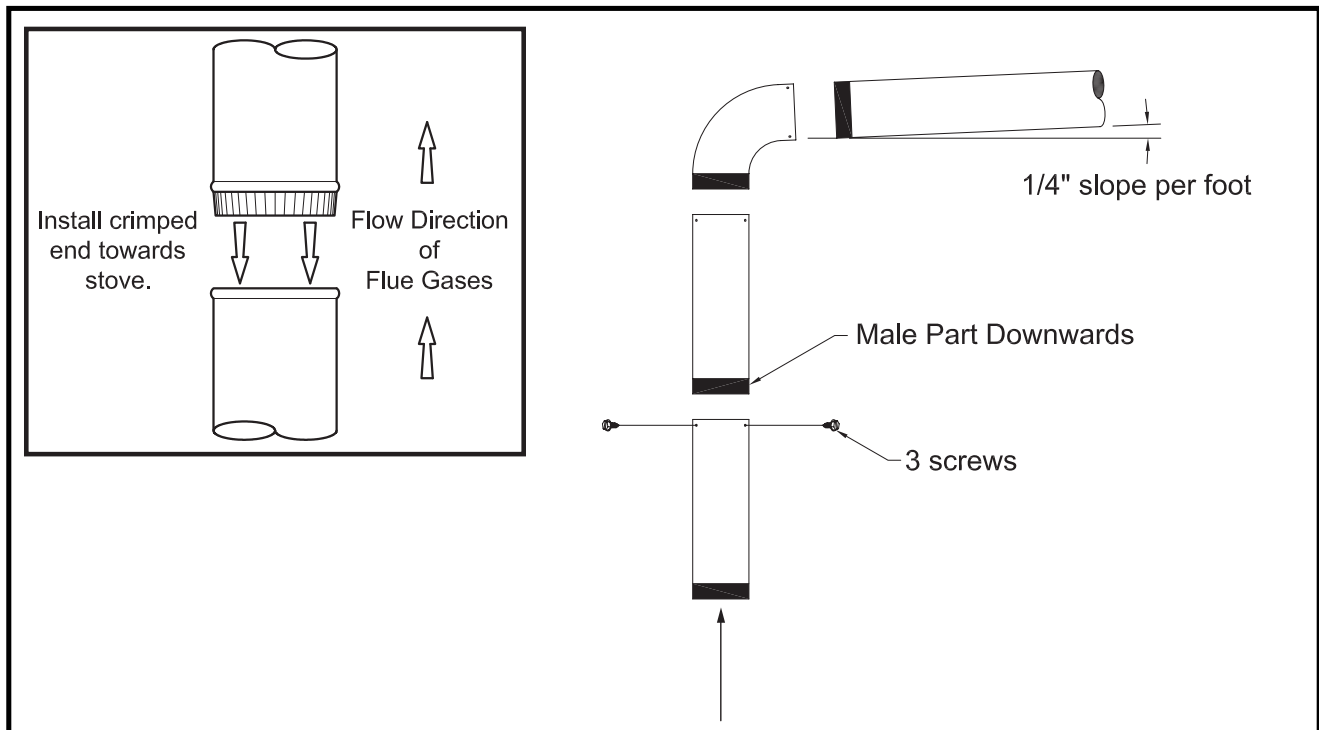
Installation of a "barometric draft stabilizer" (fireplace register) on a smoke exhaust system is prohibited.

Furthermore, installation of a draft damper is not recommended. Indeed, with a controlled combustion wood stove, the draft is regulated upon intake of the combustion air in the stove and not at the exhaust.

IMPORTANCE OF PROPER DRAFT

Draft is the force which moves air from the appliance up through the chimney. The amount of draft in your chimney depends on the length of the chimney, local geography, nearby obstructions and other factors. Too much draft may cause excessive temperatures in the appliance. Inadequate draft may cause backpuffing into the room and 'plugging' of the chimney.

"Inadequate draft will cause the appliance to leak smoke into the room through appliance and chimney connector joints. An uncontrollable burn or excessive temperature indicates excessive draft.



CHIMNEY

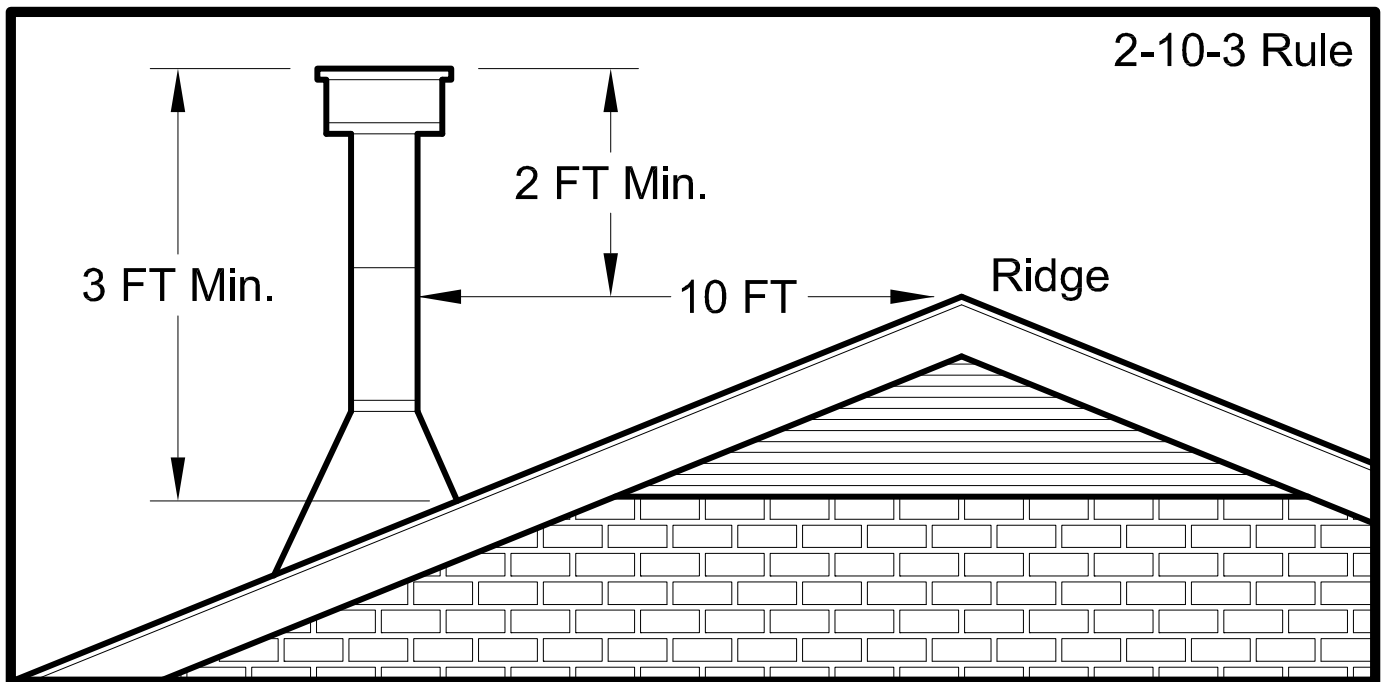
Your wood stove may be hooked up with a 6" factory built or masonry chimney. If you are using a factory built chimney, it must comply with UL 103 or CSA-B365 standard; therefore it must be a Type HT (2100°F). It is extremely important that it be installed according to the manufacturer's specifications. Take into account the chimney's location to insure it is not too close to neighbors or in a valley which may cause unhealthy or nuisance conditions.

If you are using a masonry chimney, it is important that it be built in compliance with the specifications of the National Building Code. It must be lined with fire clay bricks, metal or clay tiles sealed together with fire cement. (Round flues are the most efficient).

The interior diameter of the chimney flue must be identical to the stove smoke exhaust. A flue which is too small may cause draft problems, while a large flue favours rapid cooling of the gas, and hence the build-up of creosote and the risk of chimney fires. Note that it is the chimney and not the stove which creates the draft effect; your stove's performance is directly dependent on an adequate draft from your chimney.

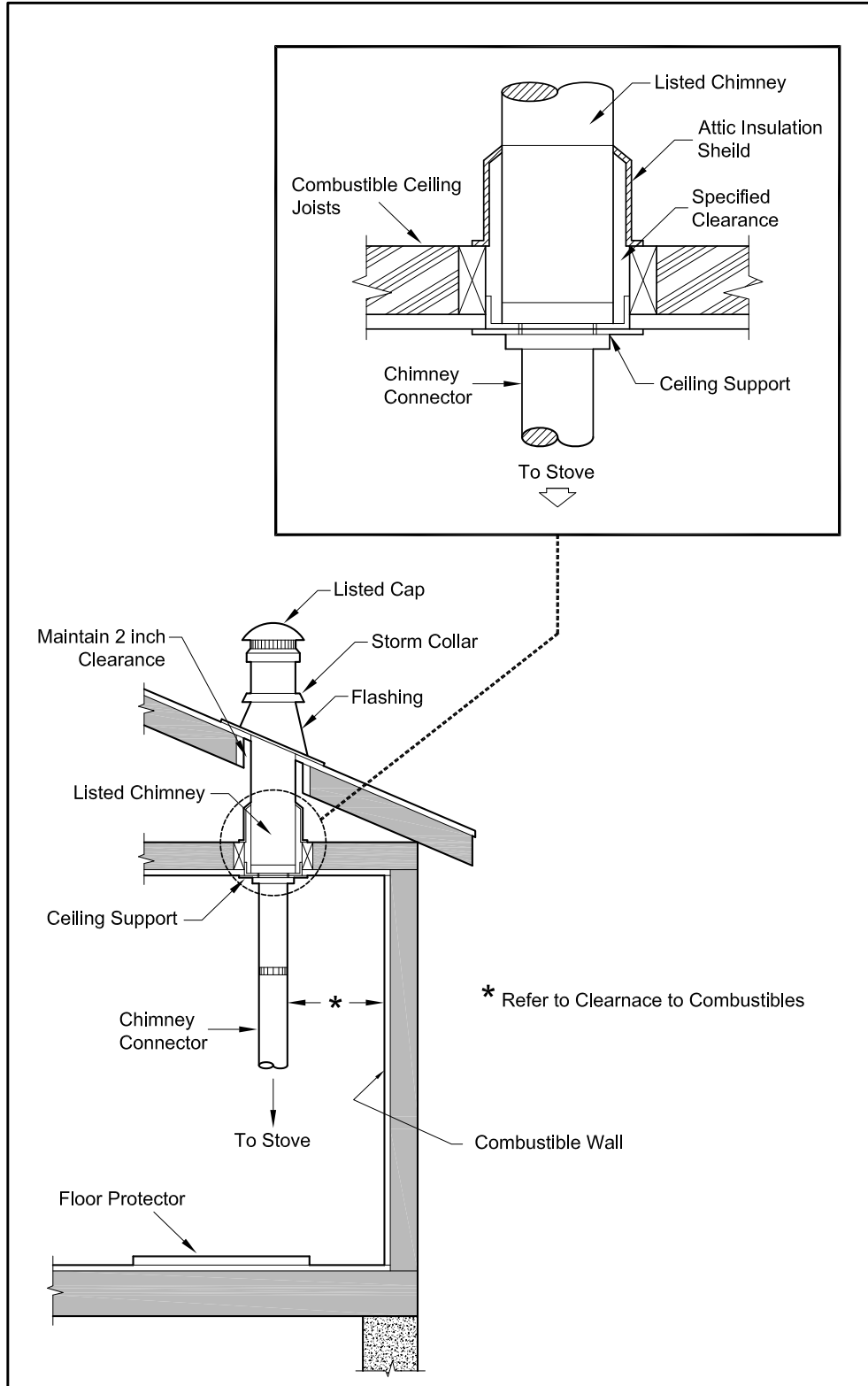
The following recommendations may be useful for the installation of your chimney:

1. Do not connect this unit to a chimney flue serving another appliance.
2. It must rise above the roof at least 3' (0.9m) from the uppermost point of contact.
3. The chimney must exceed any part of the building or other obstruction within a 10' (3.04m) distance by a height of 2' (0.6m).
4. Installation of an interior chimney is always preferable to an exterior chimney. Indeed, the interior chimney will, by definition, be hotter than an exterior chimney, being heated up by the ambient air in the house. Therefore the gas which circulates will cool more slowly, thus reducing the build-up of creosote and the risk of chimney fires.
5. The draft caused by the tendency for hot air to rise will be increased with an interior chimney.
6. Using a fire screen at the extremity of the chimney requires regular inspection in order to insure that it is not obstructed thus blocking the draft, and it should be cleaned when used regularly.



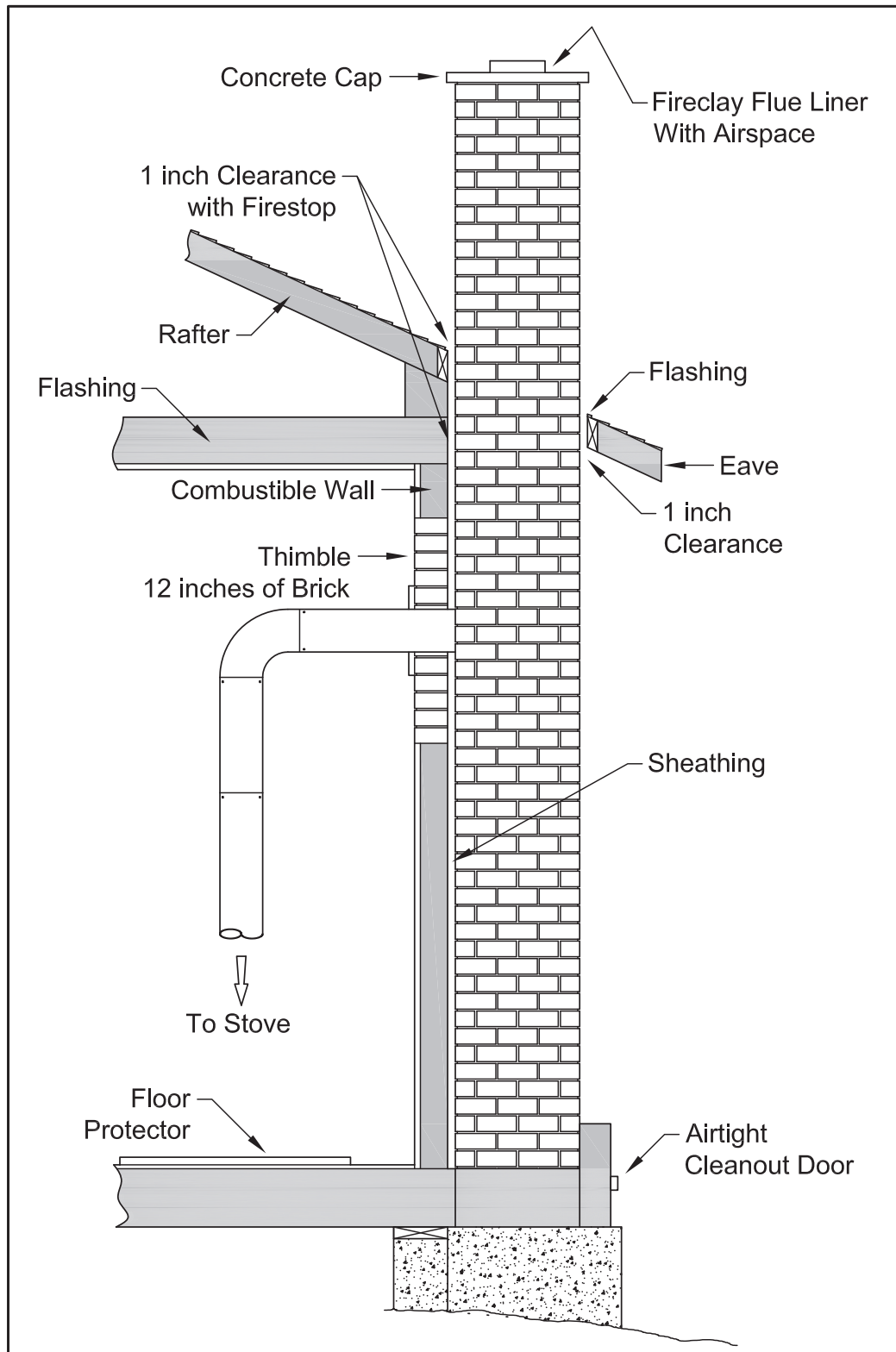
FACTORY BUILT CHIMNEY

When a metal prefabricated chimney is used, the manufacturer's installation instructions must be followed. You must also purchase (from the same manufacturer) and install the ceiling support package or wall pass-through and "T" section package, firestops (where needed), insulation shield, roof flashing, chimney cap, etc. Maintain proper clearance to the structure as recommended by the manufacturer. The chimney must be the required height above the roof or other obstructions for safety and proper draft operation.

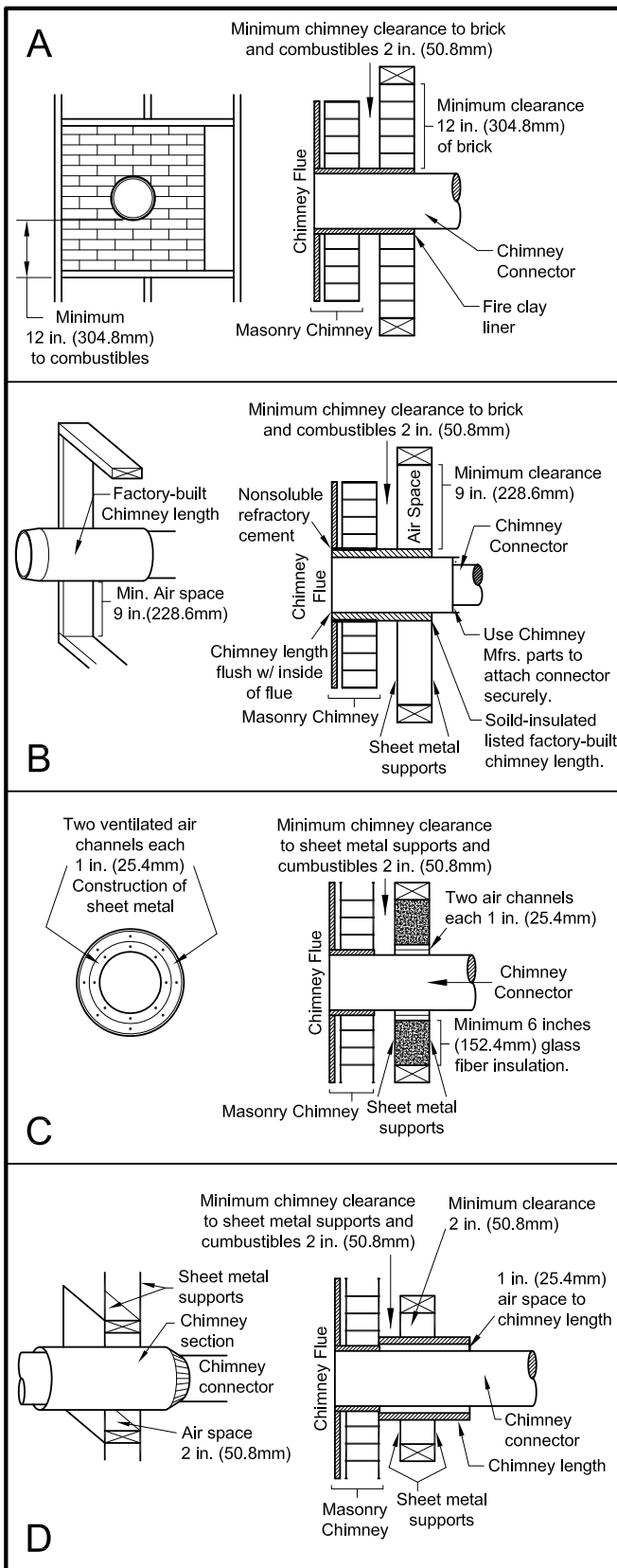


MASONRY CHIMNEY

Ensure that a masonry chimney meets the minimum standards of the National Fire Protection Association (NFPA) by having it inspected by a professional. Make sure there are no cracks, loose mortar or other signs of deterioration and blockage. Have the chimney cleaned before the stove is installed and operated. When connecting the stove through a combustible wall to a masonry chimney, special methods are needed.



COMBUSTIBLE WALL CHIMNEY CONNECTOR PASS-THROUGHS



Method A. 12" (304.8 mm) Clearance to Combustible Wall Member: Using a minimum thickness 3.5" (89 mm) brick and a 5/8" (15.9 mm) minimum wall thickness clay liner, construct a wall pass-through. The clay liner must conform to ASTM C315 (Standard Specification for Clay Fire Linings) or its equivalent. Keep a minimum of 12" (304.8 mm) of brick masonry between the clay liner and wall combustibles. The clay liner shall run from the brick masonry outer surface to the inner surface of the chimney flue liner but not past the inner surface. Firmly grout or cement the clay liner in place to the chimney flue liner.

Method B. 9" (228.6 mm) Clearance to Combustible Wall Member: Using a 6" (152.4 mm) inside diameter, listed, factory-built Solid-Pak chimney section with insulation of 1" (25.4 mm) or more, build a wall pass-through with a minimum 9" (228.6 mm) air space between the outer wall of the chimney length and wall combustibles. Use sheet metal supports fastened securely to wall surfaces on all sides, to maintain the 9" (228.6 mm) air space. When fastening supports to chimney length, do not penetrate the chimney liner (the inside wall of the Solid-Pak chimney). The inner end of the Solid-Pak chimney section shall be flush with the inside of the masonry chimney flue, and sealed with a non-water soluble refractory cement. Use this cement to also seal to the brick masonry penetration.

Method C. 6" (152.4 mm) Clearance to Combustible Wall Member: Starting with a minimum 24 gage (.024" [.61 mm]) 6" (152.4 mm) metal chimney connector, and a minimum 24 gage ventilated wall thimble which has two air channels of 1" (25.4 mm) each, construct a wall pass-through. There shall be a minimum 6" (152.4 mm) separation area containing fiberglass insulation, from the outer surface of the wall thimble to wall combustibles. Support the wall thimble, and cover its opening with a 24-gage minimum sheet metal support. Maintain the 6" (152.4 mm) space. There should also be a support sized to fit and hold the metal chimney connector. See that the supports are fastened securely to wall surfaces on all sides. Make sure fasteners used to secure the metal chimney connector do not penetrate chimney flue liner.

Method D. 2" (50.8 mm) Clearance to Combustible Wall Member: Start with a solid-pak listed factory built chimney section at least 12" (304 mm) long, with insulation of 1" (25.4 mm) or more, and an inside diameter of 8" (2 inches [51 mm] larger than the 6" [152.4 mm] chimney connector). Use this as a pass-through for a minimum 24-gauge single wall steel chimney connector. Keep solid-pak section concentric with and spaced 1" (25.4 mm) off the chimney connector by way of sheet metal support plates at both ends of chimney section. Cover opening with and support chimney section on both sides with 24 gage minimum sheet metal supports. See that the supports are fastened securely to wall surfaces on all sides. Make sure fasteners used to secure chimney flue line do not penetrate the inner liner.

NOTES:

1. Connectors to a masonry chimney, excepting method B, shall extend in one continuous section through the wall pass-through system and the chimney wall, to but not past the inner flue liner face.
2. A chimney connector shall not pass through an attic or roof space, closet or similar concealed space, or a floor, or ceiling.

OUTSIDE COMBUSTION AIR

Your wood stove is approved to be installed with an outside air intake which is necessary for a mobile home. This type of installation is also required in air tight houses and houses with negative pressure problems. You can purchase this option through your heater dealer. Make sure to specify the part number mentioned in this booklet. Installation instructions are supplied with the air intake kit.

Outside combustion air may be required if:

1. Mobile Home Installations
2. Your stove does not draw steadily, smoke rollout occurs, wood burns poorly, or back-drafts occur whether or not there is combustion present.
3. Existing fuel-fired equipment in the house, such as fireplaces or other heating appliances, smell, do not operate properly, suffer smoke roll-out when opened, or back-drafts occur whether or not there is combustion present.
4. Opening a window slightly on a calm (windless) day alleviates any of the above symptoms.
5. The house is equipped with a well-sealed vapor barrier and tight fitting windows and/or has any powered devices that exhaust house air.
6. There is excessive condensation on windows in the winter.
7. A ventilation system is installed in the house.

For use in MOBILE HOMES (U. S. installations ONLY):

- Warning! Do not install in sleeping room.
- Caution! The structural integrity of the mobile home floor, wall, and ceiling/roof must be maintained.
- Install in accordance with 24 CFR, part 3280 (HUD).
- Use a factory built chimney that complies with UL 103 standards; therefore it must be a type ht (2100°f).
- Use a spark arrester.
- The stove must be attached to the structure of the mobile home. Use the mobile home leg fasteners to secure the unit to the floor.

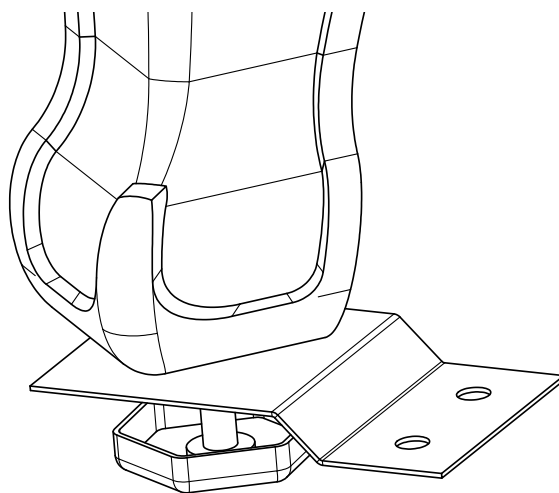


Illustration: Securing heater to the Floor.

WOODSTOVE UTILIZATION

This heater is designed to burn natural wood only. Higher efficiencies and lower emissions generally result when burning air dried seasoned hardwoods, as compared to softwoods or to green or freshly cut hardwoods.

DO NOT BURN:

1. Garbage;
2. Lawn clippings or yard waste;
3. Materials containing rubber, including tires;
4. Materials containing plastic;
5. Waste petroleum products, paints or paint thinners, or asphalt products;
6. Materials containing asbestos;
7. Construction or demolition debris;
8. Railroad ties or pressure-treated wood;
9. Manure or animal remains;
10. Salt water driftwood or other previously salt water saturated materials;
11. Unseasoned wood; or
12. Paper products, cardboard, plywood, or particleboard. The prohibition against burning these materials does not prohibit the use of fire starters made from paper, cardboard, saw dust, wax and similar substances for the purpose of starting a fire in an affected wood heater.

Burning these materials may result in release of toxic fumes or render the heater ineffective and cause smoke.

Dead wood lying on the forest floor should be considered wet, and requires full seasoning time. Standing dead wood can usually be considered to be about 2/3 seasoned. Splitting and stacking wood before it is stored accelerates drying time. Storing wood on an elevated surface from the ground and under a cover or covered area from rain or snow also accelerates drying time. A good indicator if wood is ready to burn is to check the piece ends. If there are cracks radiating in all directions from the center then the wood should be dry enough to burn. If your wood sizzles in the fire, even though the surface is dry, it may not be fully cured, and should be seasoned longer. Waste and other flammable materials should not be burned in your stove. Any type of wood may be used in your stove, but specific varieties have better energy yields than others. Please consult the following table in order to make the best possible choice.

TYPE	WEIGHT (LBS. CU. FT., DRY)	PER CORD	EFFICIENCY RANKING	SPLITS	MILLIONS BTU's/CORD
Hickory	63	4500	1.0	Well	31.5
White Oak	48	4100	.9	Fair	28.6
Red Oak	46	3900	.8	Fair	27.4
Beech	45	3800	.7	Hard	26.8
Sugar Maple	44	3700	.6	Fair	26.2
Black Oak	43	3700	.6	Fair	25.6
Ash	42	3600	.5	Well	25.0
Yellow Birch	40	3400	.4	Hard	23.8
Red Maple	38	3200	.3	Fair	22.6
Paper Birch	37	3100	.3	Easy	22.1
Elm/Sycamore	34	2900	.2	Very Difficult	20.1
Red Spruce	29	1800	.1	Easy	16.1

It is EXTREMELY IMPORTANT that you use DRY WOOD only in your wood stove. The wood should have dried for 9 to 15 months, such that the humidity content (in weight) is reduced below 20% of the weight of the log. It is very important to keep in mind that even if the wood has been cut for one, two or even more years, it is not necessarily dry, if it has been stored in poor conditions. Under extreme conditions it may rot instead of drying. This point cannot be over stressed; the vast majority of the problems related to the operation of a wood stove is caused by the fact that the wood used was too damp or had dried in poor conditions. These problems can be:

- ignition problems
- low energy yield
- incomplete log combustion
- creosote build-up causing chimney fires
- blackened windows

Smaller pieces of wood will dry faster. All logs exceeding 6" in diameter should be split. The wood should not be stored directly on the ground. Air should circulate through the cord. A 24" to 48" air space should be left between each row of logs, which should be placed in the sunniest location possible. The upper layer of wood should be protected from the elements but not the sides.

TESTING YOUR WOOD

When the stove is thoroughly warmed, place one piece of split wood (about five inches in diameter) parallel to the door on the bed of red embers.

Keep the air control full open by pulling on it and close the door. If ignition of the piece is accomplished within 90 seconds from the time it was placed in the stove, your wood is correctly dried. If ignition takes longer, your wood is damp.

If your wood hisses and water or vapor escapes at the ends of the piece, your wood is soaked or freshly cut. Do not use this wood in your stove. Large amounts of creosote could be deposited in your chimney, creating potential conditions for a chimney fire. Tamper Warning

This wood heater has a manufacturer-set minimum low burn rate that must not be altered. It is against federal regulations to alter this setting or otherwise operate this wood heater in a manner inconsistent with operating instructions in this manual.

THE FIRST FIRES

The fresh paint on your stove needs to be cured to preserve its quality. Once the fuel charge is properly ignited, only burn small fires in your stove for the first four hours of operation. Never open the air control more than necessary to achieve a medium burn rate.

Make sure that there's enough air circulation while curing the stove. The odors could be smelled during the 3 or 4 first fires. Never start your stove outside. You will not be able to see if you are over heating.

IGNITION

After making sure that the stove air intake controls are fully open (completely pull-out towards you), The top down method of fire building is recommended for this appliance. After making sure that the stove air intake controls are fully open (completely pull-out towards you), Place the largest pieces of wood on the bottom, laid in parallel and close together. Smaller pieces are placed in a second layer, crossways to the first. A third layer of still smaller pieces is laid crossways to the second, this time with some spaces between. Then a fourth layer of loose, small kindling and twisted newspaper sheets tops off the pile.

Before igniting the paper and kindling wood, it is recommended that you warm up the chimney. This is done in order to avoid back draft problems often due to negative pressure in the house. If such is the case, open a window slightly near the stove and twist together a few sheets of newspaper into a torch. Light up this paper torch and hold it as close as possible to the mouth of the pipe inside the combustion chamber to warm up the chimney. Once the updraft movement is initiated, you are ready to ignite the stove by lighting the paper and kindling wood inside the combustion chamber.

When you have achieved a good bed of hot embers, we recommend the following burn procedures:

Primary Air Settings (Slide Damper is located in center of stove under hearth plate) (Damper Adjustment: Pulling out on damper increases air)		Electric Blower Speed Setting (Variable) (Blower is on High when turned "ON", Rotate clockwise until stop for "LOW".)	
Burn Rate	Adjust Damper from fully closed		Burn Time
Low	1/4" (6.3mm)	@ 30 minutes	Low
Medium - Low	3/8" (9.5mm)	@ 30 minutes	Low
Medium - High	1/2" (12.7mm)	@ 30 minutes	Low
High	approx. 3" (76mm)	all minutes	High

CAUTION: Never alter the damper slide or the adjustment range to increase firing for any reason. Doing so could result in heater damage and will void your warranty.

HEATING

Controlled combustion is the most efficient technique for wood heating because it enables you to select the type of combustion you want for each given situation. The wood will burn slowly if the wood stove air intake control is adjusted to reduce the oxygen supply in the combustion chamber to a minimum. On the other hand, wood will burn quickly if the air control is adjusted to admit a larger quantity of oxygen in the combustion chamber. Refer to the primary air settings table for damper operation setting. Real operating conditions may give very different results than those obtained during testing according to the species of wood used, its moisture content, the size and density of the pieces, the length of the chimney, altitude and outside temperature.

WARNINGS

- Never overfire your stove. If any part of the stove starts to glow red, over firing is happening. Readjust the air intake control at a lower setting.
- The installation of a log cradle or grates is not recommended in your wood stove. Build fire directly on firebrick.
- Never put wood above the firebrick lining of the firebox.
- Attempts to achieve heat output rates that exceed heater design specifications can result in permanent damage to the heater.

EFFICIENCIES

Efficiencies can be based on either the lower heating value (LHV) or the higher heating value (HHV) of the fuel. The lower heating value is when water leaves the combustion process as a vapor, in the case of woodstoves the moisture in the wood being burned leaves the stove as a vapor. The higher heating value is when water leaves the combustion process completely condensed. In the case of woodstoves this would assume the exhaust gases are room temperature when leaving the system, and therefore calculations using this heating value consider the heat going up the chimney as lost energy. Therefore, efficiency calculated using the lower heating value of wood will be higher than efficiency calculated using the higher heating value. In the United States all woodstove efficiencies should be calculated using the higher heating value.

The best way to achieve optimum efficiencies is to learn the burn characteristic of your appliance and burn well-seasoned wood. Higher burn rates are not always the best heating burn rates; after a good fire is established a lower burn rate may be a better option for efficient heating. A lower burn rate slows the flow of usable heat out of the home through the chimney, and it also consumes less wood.

The amount of visible smoke being produced can be an effective method of determining how efficiently the combustion process is taking place at the given settings. Visible smoke consist of unburned fuel and moisture leaving your stove. Learn to adjust the air settings of your specific unit to produce the smallest amount of visible smoke. Wood that has not been seasoned properly and has a high wood moisture content will produce excess visible smoke and burn poorly.

OPERATIONAL TIPS

Get the appliance hot and establish a good coal bed before adjusting to a low burn rate (this may take 30 minutes or more depending on your wood)

Use smaller pieces of wood during start-up and a high burn rate to increase the stove temperature

Be considerate of the environment and only burn dry wood

Burn small, intense fires instead of large, slow burning fires when possible

Learn your appliance's operating characteristics to obtain optimum performance

Burning unseasoned wet wood only hurts your stoves efficiency and leads to accelerated creosote buildup in your chimney

RELOADING

Once you have obtained a good bed of embers, you should reload the unit. In order to do so, open the air controls to maximum a few seconds prior to opening the stove's door. Then proceed by opening the door very slowly; open it one or two inches for 5 to 10 seconds, before opening it completely to increase the draft and thus eliminate the smoke which is stagnant in a state of slow combustion in the stove. Then bring the red embers to the front of the stove and reload the unit.

For optimal operation of your wood stove, we recommend you to operate it with a wood load approximately equivalent to the height of fire bricks.

It is important to note that wood combustion consumes ambient oxygen in the room .In the case of negative pressure, it is a good idea to allow fresh air in the room, either by opening a window slightly or by installing a fresh air intake system on an outside wall.

Creosote - Formation and Need for Removal - When wood is burned slowly, it produces tar and other organic vapors, which combine with expelled moisture to form creosote. The creosote vapors condense in the relatively cool chimney flue of a slow-burning fire. As a result, creosote residue accumulates on the flue lining. When ignited this creosote makes an extremely hot fire. The chimney connector and chimney should be inspected at least once every two months during the heating season to determine if a creosote build-up has occurred. If creosote has accumulated (3mm or more), it should be removed to reduce the risk of a chimney fire.

We strongly recommend that you install a magnetic thermometer on your smoke exhaust pipe, approximately 18" above the stove. This thermometer will indicate the temperature of your gas exhaust fumes within the smoke exhaust system. The ideal temperature for these gases is somewhere between 275°F and 500°F. Below these temperatures, the build-up of creosote is promoted. Above 500 degrees, heat is wasted since a too large quantity is lost into the atmosphere.

TO PREVENT CREOSOTE BUILD UP

- Always burn dry wood. This allows clean burns and higher chimney temperatures, therefore less creosote deposit.
- Leave the air control full open for about 5 min. every time you reload the stove to bring it back to proper operating temperatures. The secondary combustion can only take place if the firebox is hot enough.
- Always check for creosote deposit once every two months and have your chimney cleaned at least once a year.

If a chimney or creosote fire occurs, close all dampers immediately. Wait for the fire to go out and the heater to cool, then inspect the chimney for damage. If no damage results, perform a chimney cleaning to ensure there is no more creosote deposits remaining in the chimney.

ASH DISPOSAL

Whenever ashes get 3 to 4 inches deep in your firebox or ash pan, and when the fire has burned down and cooled, remove excess ashes. Leave an ash bed approximately 1 inch deep on the firebox bottom to help maintain a hot charcoal bed.

Ashes should be placed in a metal container with a tight-fitting lid. The closed container of ashes should be placed on a noncombustible floor or on the ground, away from all combustible materials, pending final disposal. The ashes should be retained in the closed container until all cinders have thoroughly cooled.

SMOKE AND CO MONITORS

Burning wood naturally produces smoke and carbon monoxide(CO) emissions. CO is a poisonous gas when exposed to elevated concentrations for extended periods of time. While the modern combustion systems in heaters drastically reduce the amount of CO emitted out the chimney, exposure to the gases in closed or confined areas can be dangerous. Make sure you stove gaskets and chimney joints are in good working order and sealing properly to ensure unintended exposure. It is recommended that you use both smoke and CO monitors in areas having the potential to generate CO.

CAUTIONS:

- Ashes could contain hot embers even after two days without operating the stove.
- The ash pan can become very hot. Wear gloves to prevent injury.
- Never burn the stove with the ash trap open. This would result in over firing the stove. Damage to the stove and even house fire may result.

MAINTENANCE

Your wood stove is a high efficiency stove and therefore requires little maintenance. It is important to perform a visual inspection of the stove every time it is emptied, in order to insure that no parts have been damaged, in which case repairs must be performed immediately. Inspect and clean the chimney and connector pipe periodically for creosote buildup or obstructions.

GLASS

- Inspect and clean the glass regularly in order to detect any cracks. If you spot one, turn the stove off immediately. Do not abuse the glass door by striking or slamming shut. Do not use the stove if the glass is broken.
- If the glass on your stove breaks, replace only with the glass supplied from your heater dealer. Never substitute other materials for the glass.
- To replace the glass, remove the screws retaining the glass mouldings inside the door. Remove the mouldings and replace the damaged piece with a new one. Perform the procedure backwards after replacing. When replacing the glass, you should change the glass gasket to make sure you keep it sealed.
- Never wash the glass with a product that may scratch. Use a specialized product, available in the stores where wood stoves are sold. The glass should be washed only when cold.

GASKETING

It is recommended that you change the door gasket (which makes your stove door air tight) once a year, in order to insure good control over the combustion, maximum efficiency and security. To change the door gasket, simply remove the damaged one. Carefully clean the available gasket groove, apply a high temperature silicone sold for this purpose, and install the new gasket. You may light up your stove again approximately 24 hours after having completed this operation. This unit's door uses a 1/2" diameter rope gasket.

WARNING:

- Never operate the stove without a gasket or with a broken one. Damage to the stove or even house fire may result.

AIR TUBES

The air tubes assembled in this unit are designed to provide an accurate mix of secondary air to insure the highest efficiency. Any damage or deterioration of these tubes may reduce the efficiency of combustion. The air tubes are held in position by either screws or snap pins. Locate these to either side of the tube and remove to allow the tube to be removed and replaced.

PAINT

Remember to only clean your stove with a dry soft cloth that will not harm the stoves finish.

Your stove has two types of coatings that are used in the final finish; porcelain enamel and high temperature stove paint.

ENAMEL REPAIR

The porcelain enamel finish will maintain its color and luster for the life of the stove. However, because it is glass it may chip if hit with a hard or sharp object. If you experience a scratch or chip in the porcelain enamel finish, specially formulated gloss touch up paint can be used. Contact your stove dealer to request a small bottle of this touch up paint.

1. Ensure the stove is cool.

Note: The paint may be applied to a warm stove, but the temperature of the section to be painted should be below the boiling temperature

2. (200°F) to achieve a smooth finish.
3. The area should be built up with multiple thin coats.

Note: Better results are obtained if the stove is brought up to operational temperatures between coats.

HIGH TEMPERATURE STOVE PAINT REPAIR

If the painted portions of your stove need re coating it is possible to give those pieces a brand new look by repainting it with a 1200°F heat resistant stove paint.

1. Scrub the surface to be repainted with fine sand paper.
2. Clean it properly.
3. Apply thin coats (2-3) of paint successively.

AIR TUBES

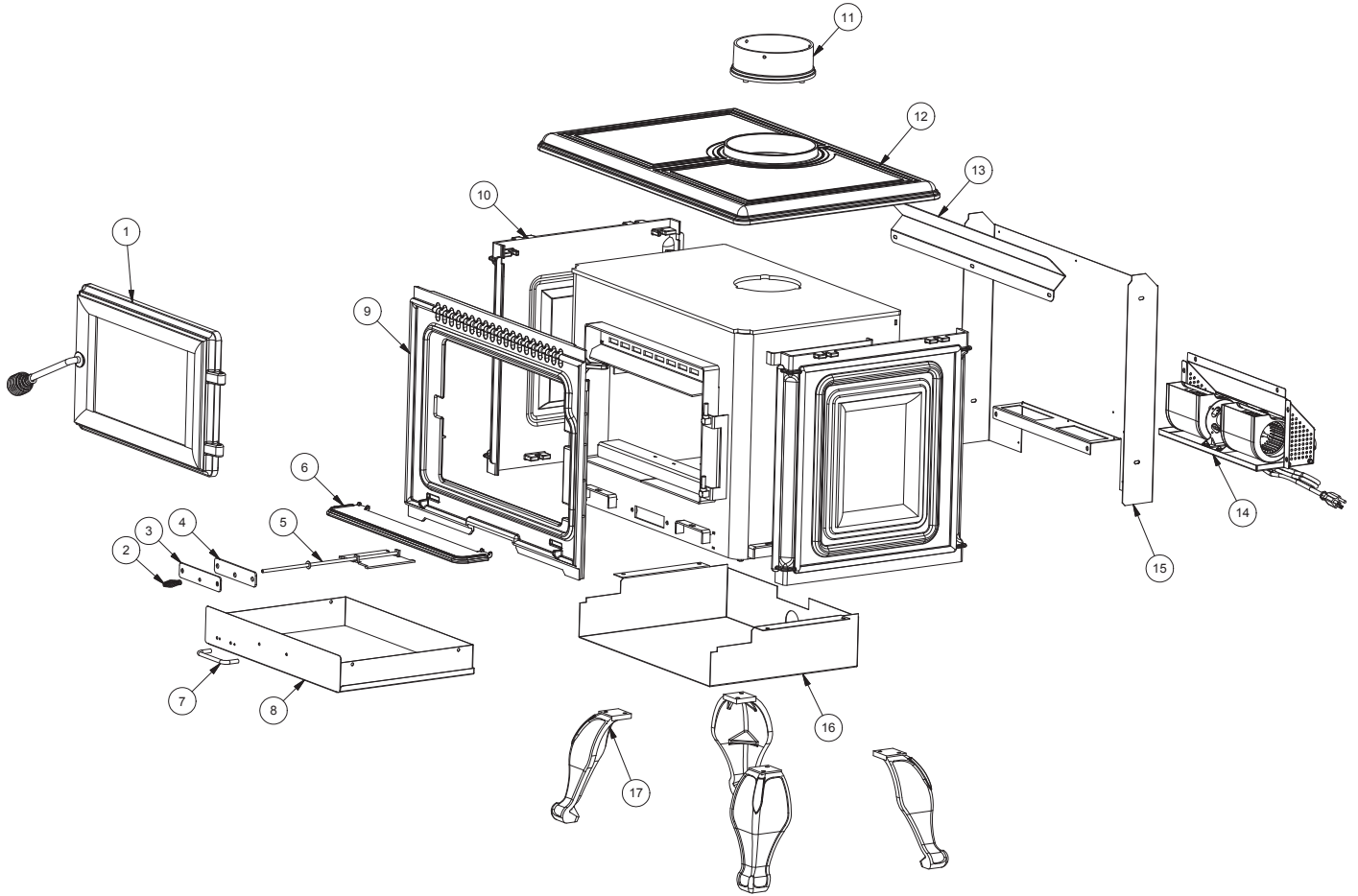
The air tubes assembled in this unit are designed to provide an accurate mix of secondary air to insure the highest efficiency. Any damage or deterioration of these tubes may reduce the efficiency of combustion. The air tubes are held in position by either screws or snap pins. Locate these to either side of the tube and remove to allow the tube to be removed and replaced.

During the curing process there are changes in the paint causing it to give off an odor and some visible smoke. The fumes are non-toxic, but can be unpleasant. Ventilate and vacate the room to avoid discomfort.

Once the curing is complete there will be no odor or smoke. After re-coating portions of your stove remember to follow the curing process as discussed in the first fire section of this manual.

CAUTION: This wood heater needs periodic inspection and repair for proper operation. It is against federal regulations to operate this wood heater in a manner inconsistent with operating instructions in this manual.

REPAIR PARTS



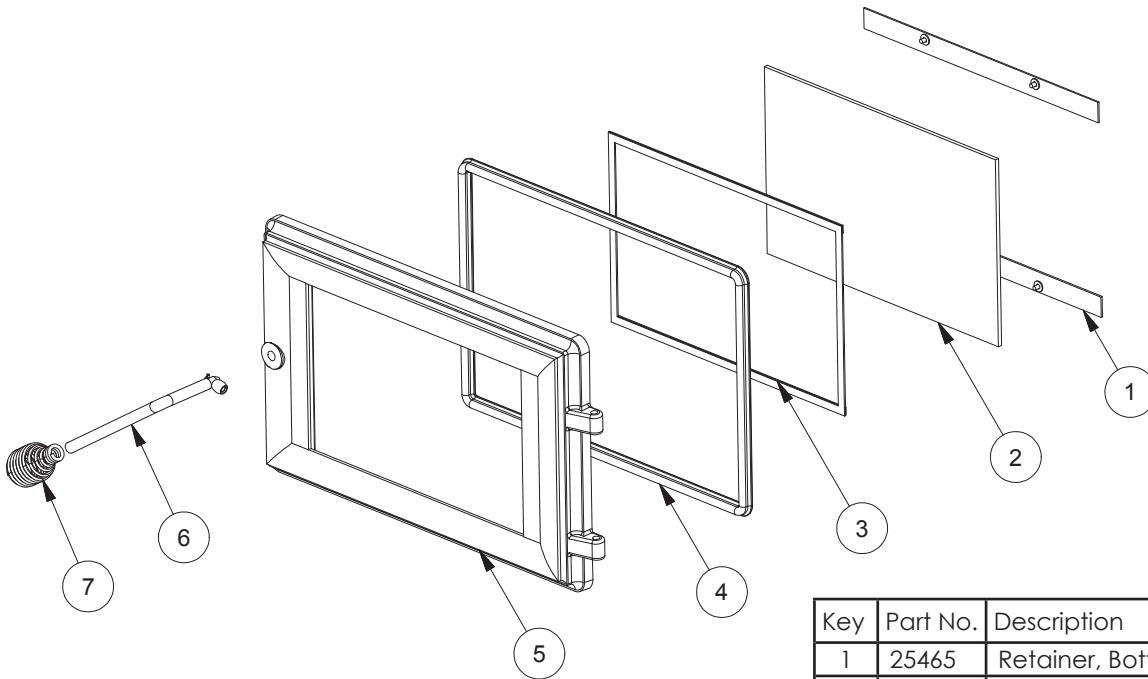
Key	Part No.	Description	Qty.
*1	610061	Assy., Door Large Rect.	1
2	891331	Spring Handle - Brushed Nickel	1
3	26333	Cover Plate, Damper	1
4	88189	Gasket, Damper	1
5	69738	Weld., Damper Slide	1
*6	40590	Hearth	1
7	891137	Handle, Brushed Nickel	1
8	69767	Ash Pan Weldment	1
*9	40589	Front	1
*10	40588	Side	2
11	40292A	6" Flue Collar	1
*12	40587	Top	1
13	26934	Air Deflector	1
14	891841	Assembly, AFS Blower	1
15	26335	Heat Shield	1
16	69768	Weldment, Ash Pan Housing	1
*17	40566	Leg, Cast Iron	4

When ordering cast-iron repair parts you must specify the desired color.

Cast Repair Parts Color	
Key	Description
M	Mahogany
R	Red
B	Black
A	Almond

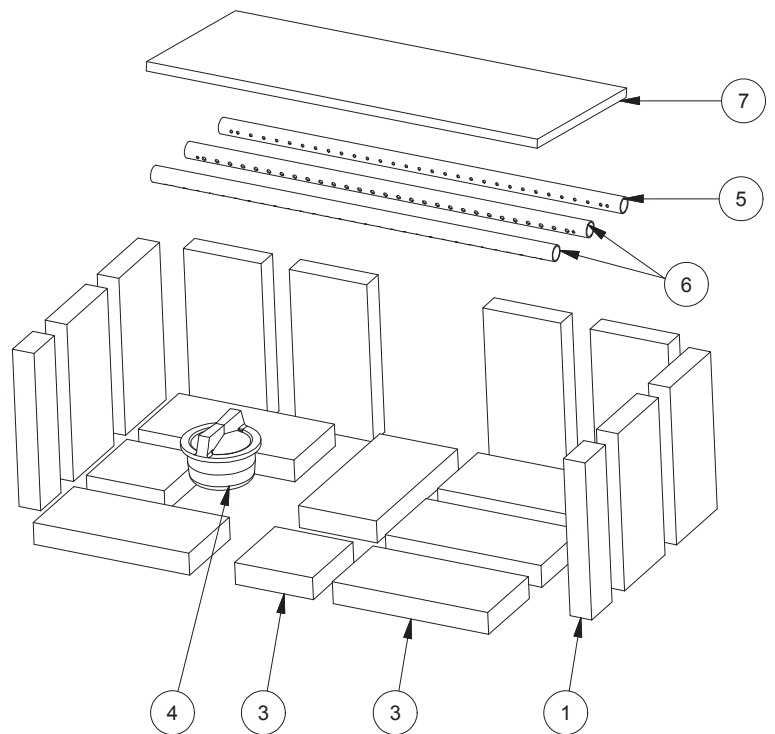
Note: All parts with (*) beside it requires a color when ordering repair parts.

REPAIR PARTS



Key	Part No.	Description	Qty.
1	25465	Retainer, Bottom Glass	2
2	891813	Door Glass (40564)	1
3	88174	Gasket-Flat, Glass Retainer	4 ft
4	88057	1/2 Rope Gasket	5 ft
*5	40639	Door,Rectangular - Large	1
6	892228	7" Handle	1
7	891135	Handle, Spring (Lg-Nickel)	1

Key	Part No.	Description	Qty.
1	891414	Half Firebrick	2
2	89066	Firebrick (4-1/2 X 9)	14
3	24103	Firebrick, Half (4-1/2 X 4-1/2)	2
4	40561	Ash Plug	1
5	86643	Tube (Ø5/32) , Secondary Air	1
6	86645	Tube (Ø7/32), Secondary Air	2
7	88146	Board, Ceramic Fiber	1



When ordering cast-iron repair parts you must specify the desired color.

Cast Repair Parts Color	
Key	Description
M	Mahogany
R	Red
B	Black
A	Almond

Note: All parts with (*) beside it requires a color when ordering repair parts.

In order to maintain warranty, components must be replaced using original manufacturers parts purchased through your dealer or directly from the appliance manufacturer. Use of third party components will void the warranty.

ALTERNATE FLOOR PROTECTOR CALCULATIONS

Alternate materials may be rated with C-factor (Thermal Conductance) or k-factor (Thermal Conductivity) ratings which must be converted to R-value to determine if the alternate material meets the tested requirements. The following instructions provide the proper information and formulas for conversion to R-value.

To determine if alternate materials are acceptable follow this sequence.

Convert material specifications to R-value:

- R-value given — no conversion necessary
- k-factor is given with a required thickness (T) in inches: $R = 1/k \times T$
- C-factor is given: $R = 1/C$

Determine the R-value of proposed alternate floor protector:

- Use formulas in step 1 above to calculate R-value of proposed material(s).
- For multiple layers, add R-values of each layer to determine overall R-value.

If the overall R-value of the floor protector system is equal to or greater than the floor protector specifications given, the alternate is acceptable.

Definitions:

$$\text{Thermal conductance (C)} = \frac{\text{BTU}}{(\text{hr})(\text{ft}^2)(\text{°F})} = \frac{\text{W}}{(\text{m}^2)(\text{°K})}$$

$$\text{Thermal conductivity (k)} = \frac{(\text{Btu})(\text{inch})}{(\text{hr})(\text{ft}^2)(\text{°F})} = \frac{\text{W}}{(\text{m}^2)(\text{°K})} = \frac{\text{BTU}}{(\text{hr})(\text{ft}^2)(\text{°F})}$$

$$\text{Thermal resistance (R)} = \frac{(\text{hr})(\text{ft}^2)(\text{°F})}{\text{BTU}} = \frac{(\text{m}^2)(\text{°K})}{\text{W}}$$

Example:

The specs of floor protector material should be 3/4-inch thick material with a k-factor of 0.84. The proposed alternative material is 4" brick with a C-factor of 1.25 over 1/8-inch mineral board with a k-factor of 0.29.

Step 1: Convert specs to R-value.

$$R = 1/k \times T = 1/0.84 \times 0.75 = 0.893 \text{ System must have a R-value of } 0.893 = R_{\text{specs}}$$

Step 2: Calculate R-value of individual components.

$$4" \text{ Brick with C-factor} = 1.25. R = 1/C = 1/1.25 = 0.80 = R_{\text{brick}}$$

$$1/8\text{-inch (0.125") mineral board with k-factor} = 0.29. R = 1/0.29 \times 0.125 = 0.431 = R_{\text{min.brd.}}$$

Step 3: Add R-values of components to get total R-value of system.

$$R_{\text{brick}} + R_{\text{min.brd}} = 0.80 + 0.431 = 1.231 = R_{\text{system}}$$

Step 4: Compare R_{system} to R_{specs}.

R_{system} = 1.231 is larger than R_{specs} of 0.893. System R-value exceeds the required specifications and therefore is an acceptable alternative.

SERVICE RECORD

It is recommended that your heating system is serviced regularly and that the appropriate Service Interval Record is completed.

Service Provider:

Before completing the appropriate Service Record below, please ensure you have carried out the service as described in the manufacturer's instructions. Always use the manufacturer's specified spare part when replacement is necessary.

Service 01	Date: _____
Engineer Name: _____	
License No.: _____	
Company: _____	
Telephone No.: _____	
Stove Inspected: <input type="checkbox"/> Chimney Swept: <input type="checkbox"/>	
Items Replaced: _____	

Service 02	Date: _____
Engineer Name: _____	
License No.: _____	
Company: _____	
Telephone No.: _____	
Stove Inspected: <input type="checkbox"/> Chimney Swept: <input type="checkbox"/>	
Items Replaced: _____	

Service 03	Date: _____
Engineer Name: _____	
License No.: _____	
Company: _____	
Telephone No.: _____	
Stove Inspected: <input type="checkbox"/> Chimney Swept: <input type="checkbox"/>	
Items Replaced: _____	

Service 04	Date: _____
Engineer Name: _____	
License No.: _____	
Company: _____	
Telephone No.: _____	
Stove Inspected: <input type="checkbox"/> Chimney Swept: <input type="checkbox"/>	
Items Replaced: _____	

Service 05	Date: _____
Engineer Name: _____	
License No.: _____	
Company: _____	
Telephone No.: _____	
Stove Inspected: <input type="checkbox"/> Chimney Swept: <input type="checkbox"/>	
Items Replaced: _____	

Service 06	Date: _____
Engineer Name: _____	
License No.: _____	
Company: _____	
Telephone No.: _____	
Stove Inspected: <input type="checkbox"/> Chimney Swept: <input type="checkbox"/>	
Items Replaced: _____	

Service 07	Date: _____
Engineer Name: _____	
License No.: _____	
Company: _____	
Telephone No.: _____	
Stove Inspected: <input type="checkbox"/> Chimney Swept: <input type="checkbox"/>	
Items Replaced: _____	

Service 08	Date: _____
Engineer Name: _____	
License No.: _____	
Company: _____	
Telephone No.: _____	
Stove Inspected: <input type="checkbox"/> Chimney Swept: <input type="checkbox"/>	
Items Replaced: _____	

Limited Warranty

Plate Steel Heaters

(Inserts, Freestanding, and Pedestal)

The operation of this heater in a manner inconsistent with the owner's manual will void the warranty and is also against federal regulations.

United States Stove Company warrants to the original purchaser its products against premature failure of any component due to workmanship, quality, or materials as follows:

TIME PERIOD:

Firebox	Three Years
Flue Collar - if equipped	Three Years
All Doors	Three Years
Firebox Baffle	One Year
Door Gaskets	One Year
All Electrical Components (Including Blower) - if equipped	One Year
Cabinet and Trim	One Year

CLAIM PROCEDURE

Any defects should be reported to United States Stove Company or its dealer and/or distributor giving descriptions and pertinent data, including proof of purchase which will be returned upon request.

Providing the heater has been installed and used in accordance with the Owners Manual supplied with the heater, United States Stove Company will either:

- 1) Replace the defective part free of charge
- 2) Replace the heater free of charge
- 3) Where the defect is of a cosmetic (non-functional) nature, United States Stove Company will bear reasonable expense to refurbish the heater, including such items as welding, painting, and incidental labor. A "Reasonable" is defined by terms of this warranty as \$30.00/hour with full refund for any purchase of parts.

NOT COVERED

Specifically not covered under terms of this limited warranty or any other warranty are problems relating to smoking or creosote. Smoking is attributable to inadequate draft due to the design or installation of the flue system or installation of the heater itself. Creosote formation is largely attributable to improper operation of the unit and/or draft as mentioned above. Also, not covered are:

- 1) Removal and re-installation cost.
- 2) Service calls to diagnose trouble (unless authorized in writing by the manufacturer, distributor, or dealer).
- 3) Painted surfaces, brass or brass-colored surfaces.
- 4) Damage or defect caused by improper installation, accidents, misuse, abuse (including overfiring) or alteration.
- 5) Transportation or shipping costs.

LIMITATIONS AND EXCLUSIONS

- 1) United States Stove Company shall not be liable for incidental, consequential, special, or contingent damages anyone might suffer as a result of their breach of this written warranty or any implied warranty.
- 2) Should the heater be replaced by United States Stove Company "free of charge", all further warranty obligations are thereby met.
- 3) Parts and/or service replacements made under the terms of this warranty are warranted only for the remaining period of the original heater warranty.
- 4) Without specific written exclusionary waivers, no one has authority to add to or vary this limited warranty, or to create for United States Stove Company any further obligation of liability in connection with this heater or any other applicable accessory. Any further warranty implication applicable to this heater or any applicable accessory is limited in duration to the same time period as the original statement in the above schedule.

YOUR DUTIES

- 1) This heater, including all applicable accessories, must be installed and operated in accordance with local authorities having jurisdiction and the instructions furnished with the Owners Manual.
- 2) You should keep as permanent record your proof of purchase (or canceled check or invoice).

PROBLEM/RESOLUTION

- 1) As purchaser, you must first contact the dealer and/or distributor from whom you purchased your heater.
- 2) If within a reasonable period of time you do not receive satisfactory service from the distributor and/or dealer, write or call United States Stove Company, Customer Service Department, including complete details of the problem and/or problems you are experiencing, details of your installation, your proof of purchase, and the heater serial number or test agency code number.

WARRANTOR

The warrantor of record is United States Stove Company, PO Box 151, 227 Industrial Park Road, South Pittsburg, Tennessee 37380.

Phone number 800-750-2723 • Web site www.usstove.com

NOTE

This warranty gives you specific legal rights; and, you may also have other rights which vary from state to state. Register your product on line at www.usstove.com. Save your receipt with your records for any claims.

IMPORTANT

We congratulate you on your selection of United States Stove Company and its products. As the oldest solid fuel manufacturer in the United States (since 1869), the United States Stove Company is very proud of its products, service, employees, and satisfied customers. We would like to hear from you if you are not satisfied with the manner in which you have been handled by our distributor, dealer, representative, customer service department, parts department, or sales department. Please reach out to us by using any of the contact information listed above.

NOTES

HOW TO ORDER REPAIR PARTS / COMMANDE DE PIÈCES DE RECHANGE

This manual will help you obtain efficient, dependable service from your heater, and enable you to order repair parts correctly.

Keep this manual in a safe place for future reference.

When writing, always give the full model number which is on the nameplate attached to the heater.

When ordering repair parts, always give the following information as shown in this list /

CE MANUEL VOUS AIDERA À OBTENIR UN SERVICE EFFICACE ET FIABLE DE L'APPAREIL DE CHAUFFAGE ET VOUS PERMETTRA DE COMMANDER CORRECTEMENT DES PIÈCES DE RECHANGE.

Veillez conserver ce manuel dans un endroit sûr à des fins de référence.

Lorsque vous nous écrivez, veuillez indiquer le numéro complet du modèle qui figure sur la plaque signalétique de l'appareil de chauffage.

Lorsque vous commandez des pièces de rechange, veuillez toujours fournir les renseignements suivants, tels que montrés dans cette nomenclature:

1. The part number / Le numéro de pièce _____
2. The part description / La description de la pièce _____
3. The model number / Le numéro de modèle _____
4. The serial number / Le numéro de série _____

United States Stove Company
P.o. Box 151
South Pittsburg, Tn 37380
800-750-2723
www.usstove.com

Garantie limitée
Plaque acier Radiateurs
(Inserts, autoportant et Pedestal)

Le fonctionnement de cet appareil de chauffage d'une manière incompatible avec le manuel du propriétaire annulera la garantie et est également contre les règlements fédéraux.

United States Stove Company offre à l'acheteur d'origine une garantie de ses produits contre la défaillance prématurée d'un composant en raison de la fabrication, de la qualité ou des matériaux comme suit:

PÉRIODE DE GARANTIE:

Foyer	Trois Ans
Busse, Si Equipée	Trois Ans
Toutes Les Portes	Trois Ans
Firebox Chicane	Un An
Joints De Porte	Un An
Tous Les Composants Electriques (Y Compris Blower) - Le Cas Echéant.....	Un An
Cabinet Et Garnitures	Un An

Les défauts doivent être signalés à United States Stove Company ou à son détaillant ou distributeur en donnant une description et les données pertinentes, y compris une preuve d'achat qui sera retournée sur demande.

À condition que l'appareil de chauffage ait été installé et utilisé conformément au manuel d'utilisation fourni avec celui-ci, United States Stove Company fera l'une ou l'autre des choses suivantes:

- 1) Remplacer la pièce défectueuse sans frais
- 2) Remplacer l'appareil de chauffage sans frais
- 3) Si le défaut est de nature cosmétique (non fonctionnel), United States Stove Company prendra en charge les frais raisonnables pour la remise à neuf de l'appareil de chauffage, y compris des éléments tels que la soudure, la peinture et la main d'œuvre qui s'y rapporte. Les frais « raisonnables » sont définis par les conditions de cette garantie comme étant de 30 \$/heure avec remboursement intégral pour tout achat de pièces de U.S. Stove Company.

NON COUVERTS

Les problèmes relatifs à la fumée ou à la créosote ne sont pas spécifiquement couverts aux termes de cette garantie limitée ou de toute autre garantie. La fumée est imputable à un tirage adéquat de la cheminée en raison de la conception ou de l'installation du conduit de fumée ou de l'installation de l'appareil de chauffage lui-même. La formation de créosote est en grande partie attribuable à un mauvais fonctionnement de l'appareil et/ou au tirage tel que mentionné ci-dessus. En outre, les éléments suivants ne pas couverts:

- 1) Le coût d'enlèvement et de réinstallation.
- 2) Les visites d'un réparateur pour diagnostiquer les problèmes (sauf si autorisé par écrit par le fabricant, le distributeur ou le détaillant).
- 3) Les surfaces peintes ou plaquées.
- 4) Les dommages ou défauts causés par une mauvaise installation, un accident, une mauvaise utilisation, l'abus (y compris le surchauffement) ou l'altération.
- 5) Les frais de transport et d'expédition.

RESTRICTIONS ET EXCLUSIONS

- 1) United States Stove Company ne sera pas responsable des dommages accidentels, indirects, spéciaux ou dommages éventuels que quiconque pourrait subir à la suite d'une violation de cette garantie écrite ou de toute garantie implicite.
- 2) Si l'appareil de chauffage est remplacé « gratuitement » par United States Stove Company, toutes les autres obligations de garantie sont ainsi satisfaites.
- 3) Le remplacement des pièces et/ou le service effectués en vertu des modalités de cette garantie sont garantis uniquement pour la période restante de la garantie originale de l'appareil de chauffage.
- 4) Sans une dispense spécifique écrite, personne n'a l'autorité d'augmenter ou de modifier cette garantie limitée, ou pour créer au nom de United States Stove Company toute autre obligation de responsabilité à l'égard de cet appareil de chauffage ou de tout autre accessoire applicable. Toute garantie implicite applicable à cet appareil de chauffage ou à tout accessoire applicable est limitée à la durée de la même période que celle de la déclaration originale dans le calendrier ci-dessus.

VOS OBLIGATIONS

- 1) Cet appareil de chauffage, y compris tous les accessoires applicables, doit être installé et utilisé conformément aux règlements des autorités locales avant compétence et aux instructions fournies avec le manuel du propriétaire.
- 2) Vous devez conserver dans vos dossiers votre preuve d'achat (ou votre chèque annulé ou votre facture).
- 1) En tant qu'acheteur, vous devez d'abord contacter le détaillant ou le distributeur auprès duquel vous avez acheté votre appareil de chauffage.
- 2) Si dans un délai raisonnable, vous ne recevez pas un service satisfaisant du distributeur ou du détaillant, écrivez ou téléphonez au Service à la clientèle de United States Stove Company, en incluant tous les détails du ou des problèmes que vous rencontrez, les détails de votre installation, votre preuve d'achat et le numéro de série de l'appareil de chauffage ou le numéro de code de l'agence d'essai.

GARANT

Le garant de l'enregistrement est United States Stove Company, P.O. Box 151, 227 Industrial Park Road, South Pittsburg, Tennessee 37380. Numéro de téléphone: 800-750-2723 • Site Web: www.usstove.com

REMARQUE

Cette garantie vous accorde des droits légaux précis, et vous pourrez aussi avoir d'autres droits qui varient d'un État à l'autre. Enregistrez votre produit en ligne sur www.usstove.com. Enregistrez votre reçu avec vos dossiers pour toute réclamation.

IMPORTANT

Nous vous félicitons pour votre sélection de United States Stove Company et de ses produits. En tant que plus ancien fabricant de combustibles solides aux États-Unis (depuis 1869), la United States Stove Company est très fière de ses produits, services, employés et clients satisfaits. Nous aimerions connaître votre opinion si vous n'êtes pas satisfait de la manière dont vous avez été manipulé par notre distributeur, revendeur, représentant, service à la clientèle, service des pièces ou département des ventes. N'hésitez pas à nous contacter en utilisant les coordonnées indiquées ci-dessus.

ENREGISTREMENT DE SERVICE

Il est recommandé que votre système de chauffage est desservi régulièrement et que le Service Intervall enregistré approprié est terminée.

Fournisseur de services:

Avant de terminer l'enregistrement de service approprié ci-dessous, s'il vous plaît vous assurer que vous avez effectué le service tel que décrit dans les instructions du fabricant. Toujours utiliser pièce de rechange indiquée par le fabricant lors de remplacement est nécessaire.

Service de 01	Date _____
Ingenieur Nom: _____	
Refustratub No.: _____	
Company _____	
N ° de téléphone. _____	
Poêle Inspecté: <input type="checkbox"/> Cheminée Swept: <input type="checkbox"/>	
Poêle Inspecté: _____	
Articles Remplacé: _____	

Service de 03	Date _____
Ingenieur Nom: _____	
Refustratub No.: _____	
Company _____	
N ° de téléphone. _____	
Poêle Inspecté: <input type="checkbox"/> Cheminée Swept: <input type="checkbox"/>	
Poêle Inspecté: _____	
Articles Remplacé: _____	

Service de 04	Date _____
Ingenieur Nom: _____	
Refustratub No.: _____	
Company _____	
N ° de téléphone. _____	
Poêle Inspecté: <input type="checkbox"/> Cheminée Swept: <input type="checkbox"/>	
Poêle Inspecté: _____	
Articles Remplacé: _____	

Service de 05	Date _____
Ingenieur Nom: _____	
Refustratub No.: _____	
Company _____	
N ° de téléphone. _____	
Poêle Inspecté: <input type="checkbox"/> Cheminée Swept: <input type="checkbox"/>	
Poêle Inspecté: _____	
Articles Remplacé: _____	

Service de 06	Date _____
Ingenieur Nom: _____	
Refustratub No.: _____	
Company _____	
N ° de téléphone. _____	
Poêle Inspecté: <input type="checkbox"/> Cheminée Swept: <input type="checkbox"/>	
Poêle Inspecté: _____	
Articles Remplacé: _____	

Service de 07	Date _____
Ingenieur Nom: _____	
Refustratub No.: _____	
Company _____	
N ° de téléphone. _____	
Poêle Inspecté: <input type="checkbox"/> Cheminée Swept: <input type="checkbox"/>	
Poêle Inspecté: _____	
Articles Remplacé: _____	

Service de 08	Date _____
Ingenieur Nom: _____	
Refustratub No.: _____	
Company _____	
N ° de téléphone. _____	
Poêle Inspecté: <input type="checkbox"/> Cheminée Swept: <input type="checkbox"/>	
Poêle Inspecté: _____	
Articles Remplacé: _____	

CALCULS POUR D'AUTRES PROTECTEURS DE PLANCHER

D'autres matériaux peuvent être évalués par les cotes de facteur C (conductance thermique) ou de facteur k (conductivité thermique) qui doivent être convertis en valeur R pour déterminer si le matériau alternatif répond aux exigences testées. Les instructions suivantes fournissent les informations et les formules appropriées pour la conversion en valeur R.

Pour déterminer si les matériaux de rechange sont acceptables, veuillez suivre cette séquence.

Convertir les spécifications du matériau en valeur R:

a. une valeur R donnée; pas de conversion requise

b. un facteur k est donné avec une épaisseur requise (T) en pouces: $R = 1/k \times T$

c. un facteur C est donné: $R = 1/C$

Déterminer la valeur R de l'autre protecteur de plancher proposé:

a. Utiliser les formules de l'étape 1 ci-dessus pour calculer la valeur R des matériaux proposés.

b. Pour les couches multiples, additionnez les valeurs R de chaque couche afin de déterminer la valeur R globale.

Si la valeur R globale du système de protection du plancher est égale ou supérieure aux spécifications de

protection de plancher données, les matériaux sont alors acceptables.

Définitions:

$$\text{Conductance thermique (C)} = \frac{\text{BTU}}{\text{(h)}(\text{p}^2)(\text{°F})} = \frac{\text{(m}^2)(\text{°K})}{\text{L}}$$

$$\text{Conductivité thermique (k)} = \frac{\text{(Btu)}(\text{pouce})}{\text{(h)}(\text{p}^2)(\text{°F})} = \frac{\text{(m}^2)(\text{°K})}{\text{L}} = \frac{\text{BTU}}{\text{(h)}(\text{p}^2)(\text{°F})}$$

$$\text{Résistance thermique (R)} = \frac{\text{BTU}}{\text{(h)}(\text{p}^2)(\text{°F})} = \frac{\text{L}}{\text{(m}^2)(\text{°K})}$$

Exemple:

Les spécifications de matériau du protecteur de plancher doivent être un matériau d'une épaisseur de 3/4 po avec un facteur k de 0,84. Le matériau de remplacement proposé est une brique de 4 po avec un facteur C de 1,25 sur une planche de type minéral de 1/8 po avec un facteur k de 0,29.

Étape 1: Convertir les spécifications en valeur R.

$R = 1/k \times T = 1/0,84 \times 0,75 = 0,893$ Le système doit avoir une valeur R de 0,893 = Rspécs

Étape 2: Calculer la valeur R des composants individuels.

Brique de 4 po avec un facteur C = 1,25. $R = 1/C = 1/1,25 = 0,80 = \text{Rbrique}$

Planche de type minéral de 1/8 po (0,125 po) avec un facteur k de 0,29. $R = 1/0,29 \times 0,125 = 0,431 = \text{Rmin.}$

planche.

Étape 3: Ajouter les valeurs R de composants pour obtenir la valeur R totale de système.

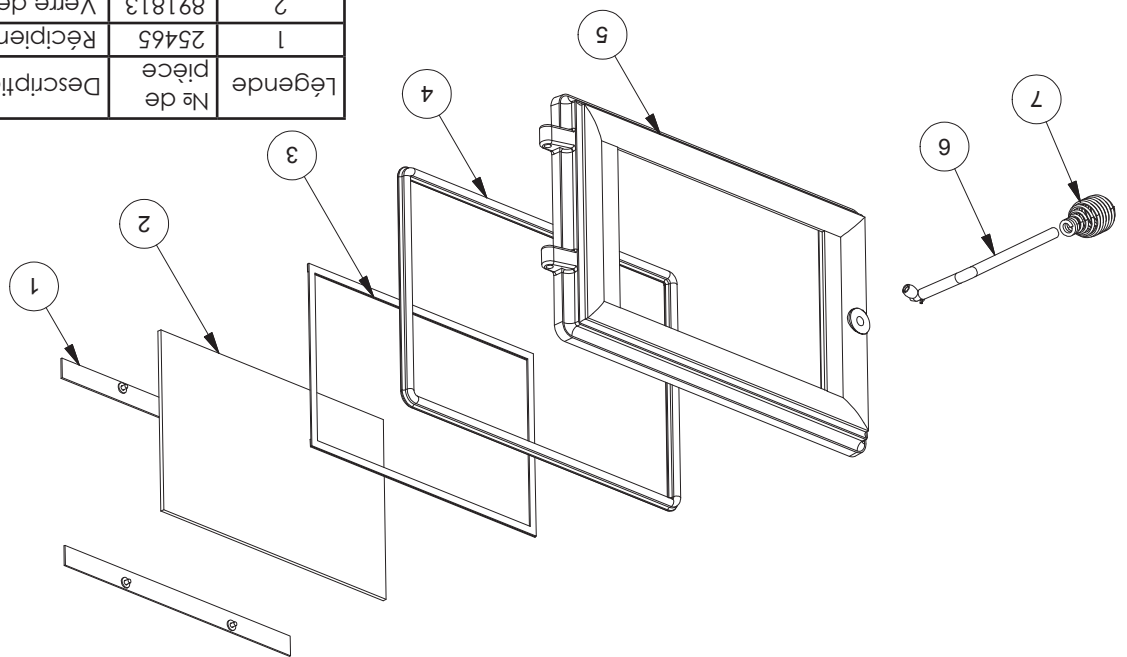
$\text{Rbrique} + \text{Rmin. planche} = 0,80 + 0,431 = 1,231 = \text{Rystème}$

Étape 4: Comparer Rystème à Rspécs.

Rystème = 1,231 est supérieur à Rspécs de 0,893. Une valeur R de système dépasse les spécifications requises et est donc une alternative acceptable.

Afin de maintenir la garantie, les composants doivent être remplacés à l'aide des pièces d'origine du fabricant achetées par le biais de votre revendeur ou directement auprès du fabricant de l'appareil. L'utilisation de composants tiers annulera la garantie.

PIÈCES DE RECHANGE



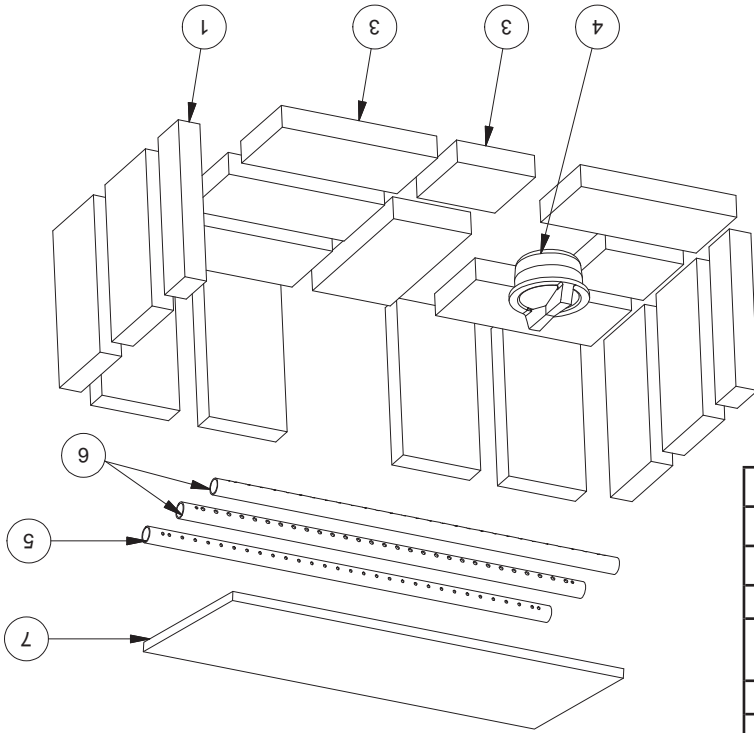
Légende		N° de pièce	Description	Qté.
1	25465	Récipient, verre inférieur	2	
2	891813	Verre de porte (40564)	1	
3	88174	Joint d'étanchéité, Récipient en verre	4 ft	
4	88057	Joint 1/2 Corde	5 ft	
*5	40639	Porte, Rectangulaire	1	
6	892228	Poignée de 7 po	1	
7	891135	Poignée, Ressort	1	

Légende		N° de pièce	Description	Qté.
1	891414	Demi-brique	2	
2	89066	Brique de feu (4-1 / 2 X 9)	14	
3	24103	Brique de feu, moitié (4-1/2 X 4-1/2)	2	
4	40561	Bouchon de cendres	1	
5	86643	Tube (Ø5 / 32), air secondaire	1	
6	86645	Tube (Ø7 / 32), air secondaire	2	
7	88146	Panneau, fibre céramique	1	

Lorsque vous commandez des pièces de réparation en fonte, vous devez spécifier la couleur désirée.

Pièces de réparation de fonte		Légende	Description
M	Acajou		
R	Rouge		
B	Noir		
A	Amande		

Remarque: Toutes les pièces avec (*) à côté d'elle nécessite une couleur lors de la commande de pièces de rechange.



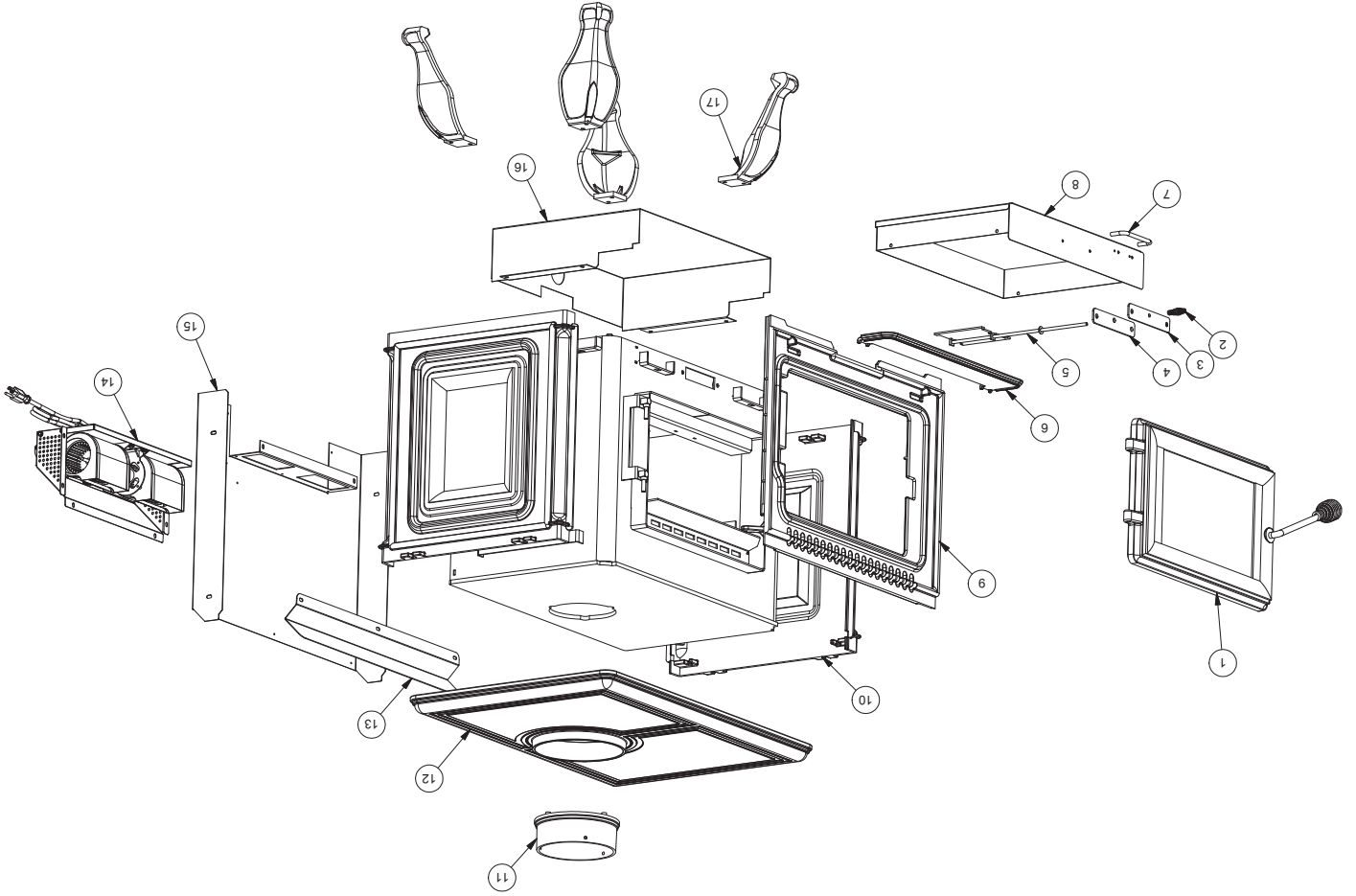
Afin de maintenir la garantie, les composants doivent être remplacés à l'aide des pièces d'origine du fabricant achetées par le biais de votre revendeur ou directement auprès du fabricant de l'appareil. L'utilisation de composants tiers annulera la garantie.

Qté.	Description	N° de pièce
1	Assi., Porte_Large Rect.	610061
1	Poignée de ressort - Nickel brossé	891331
1	Plaque de recouvrement, amortisseur	26333
1	Joint, amortisseur	88189
1	Soudure,, Amortisseur	69738
1	Foyer	40590
1	Poignée, Nickel brossé	891137
1	Soudage de cendres	69767
1	De face	40589
2	Côté	40588
1	Collier de fumée de 6 po	40292A
1	Haut	40587
1	Déflecteur d'air	26934
1	Assemblée, AFS Souffleur	891841
1	Bouclier thermique	26335
1	Soudure, Cendrier	69768
4	Jambe, fonte	40566

Remarque: Toutes les pièces avec (*) à côté d'elle nécessitent une couleur lors de la commande de pièces de rechange .

Pièces de réparation de fonte	
Légende	Description
M	Acajou
R	Rouge
B	Noir
A	Amande

Lorsque vous commandez des pièces de réparation en fonte, vous devez spécifier la couleur désirée.



PIÈCES DE RECHANGE

Au cours du processus de durcissement, des changements à la peinture peuvent causer une odeur et de la fumée. La fumée n'est pas toxique, mais elle peut être désagréable. Faites aérer et quittez la pièce pour éviter l'inconfort. Il n'y aura plus d'odeur ou de fumée une fois le durcissement terminé. Après avoir peint certaines parties de votre poêle, n'oubliez pas de suivre le processus de durcissement tel que décrit à la section Les premiers feux de ce manuel.

Il arrive parfois que des fissures se produisent après que le ciment de la partie externe du poêle est sèche et durci. La dilatation thermique, l'expansion et la contraction de la fonte entraînées par les changements de température, peuvent contribuer à des fissures ou des éclats dans le mortier. Si vous désirez effectuer des réparations au mortier du poêle, communiquez avec le dépositaire du poêle pour obtenir du mortier de cheminée afin d'effectuer la réparation.

RÉPARATION AU MORTIER DU POÊLE

1. Frottez la surface à repeindre avec un papier de verre fin.
 2. Nettoyez la surface de façon appropriée.
 3. Appliquez des couches minces (2 à 3) de peinture.

Si des parties peintes du poêle ont besoin d'une retouche, il est possible de redonner une allure neuve à ces parties en les peignant de nouveau avec une peinture résistant à la chaleur de 1 200 °F.

RÉPARATION À LA PEINTURE RÉSISTANT AUX TEMPÉRATURES ÉLEVÉES DU POÊLE

1. Assurez-vous que le poêle est frais.
 Remarque: La peinture peut être appliquée sur un poêle chaud, mais la température de la partie à peindre doit être inférieure à la température d'ébullition (200°F) pour obtenir un fini uniforme.
 2. La partie doit être recouverte de plusieurs couches minces.
 Remarque: Vous pouvez obtenir les meilleurs résultats lorsque le poêle est amené à la température de fonctionnement entre les couches.

Le fini en émail de porcelaine conserve sa couleur et son lustre pour la durée de vie du poêle. Il peut cependant s'écailler s'il est frappé par un objet dur ou pointu parce qu'il est en verre. Si le fini en émail de porcelaine a des rayures ou des éclats, de la peinture de retouche spécialement formulée peut être utilisée. Communiquez avec votre dépositaire de poêle pour obtenir une petite bouteille de cette peinture de retouche.

RÉPARATION DE L'ÉMAIL

N'oubliez de nettoyer le poêle uniquement avec un linge doux et sec qui n'endommage pas le fini de la peinture du poêle.
 Le poêle est doté de deux types de revêtement utilisés pour la finition: de l'émail de porcelaine et de la peinture résistant aux températures élevées.

PEINTURE

Localisez et enlevez-les des deux côtés du conduit pour le retirer et le remettre en place.
 Les conduits d'air secondaires et les conduits d'air grande efficacité. Tout dommage ou détérioration de ces conduits peuvent réduire l'efficacité de la combustion. Les conduits d'air sont maintenus en position par des vis ou par des goupilles de blocage.

CONDUITS D'AIR

- Ne faites jamais fonctionner l'appareil sans joint d'étanchéité ou avec un joint endommagé. Des dommages à l'appareil voire un incendie pourraient en découler.

AVERTISSEMENT:

Il est recommandé de remplacer le joint d'étanchéité (qui assure l'étanchéité du poêle) une fois par an, afin d'assurer un bon contrôle de la combustion ainsi qu'un maximum d'efficacité et de sécurité. Pour remplacer le joint de porte, il suffit d'ôter le joint endommagé. Nettoyez avec soin la rainure du joint, appliquez de la pâte à joint d'étanchéité vendue à cette fin et installez le nouveau joint d'étanchéité. Vous pouvez faire fonctionner le poêle environ 24 heures après avoir remplacé le joint. La porte ce cette unité utilise un joint de corde de 1/2po de diamètre.

JOINTS D'ÉTANCHÉITÉ

- Ne lavez jamais le verre avec des produits risquant de l'égratigner. Utilisez un produit spécialisé, offert dans les magasins où les poêles à bois sont vendus. Le verre ne doit être lavé que lorsqu'il est froid.
- Pour vous assurer que le verre est bien étanche, remplacez le joint d'étanchéité du verre, vous devriez aussi changer le joint d'étanchéité du verre.

- Inspectez et nettoyez la vitre régulièrement afin de déceler toute fissure. Si vous voyez une fissure, éteignez le poêle sur-le-champ. N'abusez jamais de la porte en verre en frappant sur celle-ci ou en la fermant fortement. N'utilisez pas le poêle si le verre est brisé.
- Si le verre du poêle casse, remplacez-la uniquement par du verre fourni par le détaillant de l'appareil de chauffage. Ne substituez jamais d'autres matériaux à votre verre.
- Pour remplacer le verre, enlevez les vis retenant les attaches de verre à l'intérieur de la porte. Retirez les attaches et remplacez la pièce endommagée par une neuve. Effectuez la procédure à l'inverse après le

VITRE

Votre poêle à bois est un appareil à haute efficacité et, de fait, ne nécessite qu'un minimum d'entretien. Il importe de procéder à une inspection visuelle du poêle chaque fois qu'il est vidé et nettoyé afin de s'assurer qu'aucune pièce ne soit endommagée. Si c'est le cas, il doit alors être immédiatement réparé. Inspectez et nettoyez les accumulations de créosote ou d'obstruction dans la cheminée et les tuyaux de raccordement.

ENTRETIEN

- MISES EN GARDE:

 - Les cendres peuvent contenir des fions chauds même après deux jours d'utilisation du poêle.
 - Le panier à braise peut devenir très chaud. Portez des gants pour éviter toute blessure.
 - Ne faites jamais fonctionner le poêle lorsque la trappe à cendres est ouverte. Cela entraînerait une combustion excessive du poêle. Des dommages au poêle et même un incendie de maison pourraient en découler.

et de CO dans les zones où se trouve un potentiel de génération de CO. correctement, évitant les expositions indésirables. Il est recommandé que vous utilisiez des détecteurs de fumée vous que les joints d'étanchéité de votre poêle et les joints de la cheminée soient en bon état et qu'ils scellent CO émis par la cheminée, l'exposition aux gaz dans des endroits fermés ou clos peut être dangereuse. Assurez-Bien que les systèmes de combustion modernes des chauffages réduisent de façon importante la quantité de un gaz poison lorsque l'exposition se fait à des concentrations élevées pour une période de temps prolongée. Le brûlage du bois produit naturellement des émissions de fumée et du monoxyde de carbone (CO). Le CO est

DÉTECTEURS DE FUMÉE ET DE CO

Lorsque les cendres atteignent 8 à 10 cm (3 à 4 po) d'épaisseur dans votre boîte à feu ou bac à cendres, et que le feu est éteint et froid, retirez les cendres en excès. Laissez un lit de cendres d'environ 3 cm (1 po) d'épaisseur sur le fond de la boîte à feu pour aider à conserver une couche chaude de charbon. Les cendres doivent être placées dans un récipient en métal recouvert d'un couvercle bien ajusté. Le récipient de cendres fermé doit être placé sur un plancher incombustible ou sur le sol, loin des matériaux combustibles, en attendant sa mise au rebut finale. Les cendres doivent être conservées dans le récipient fermé jusqu'à ce qu'elles aient pu complètement refroidir.

ENLÈVEMENT ET DISPOSITION DES CENDRES

Si un feu de cheminée ou de créosote se produit, fermez immédiatement tous les registres. Attendez que le feu s'éteigne et que l'appareil de chauffage se refroidisse, puis vérifiez si la cheminée a subi des dommages. Si aucun dommage n'est constaté, nettoyez la cheminée pour vous assurer qu'il n'y ait plus de dépôts de créosote dans la cheminée.

- Faites toujours brûler du bois sec. Cela permet une combustion propre et des températures de cheminée supérieures et de ce fait, moins de dépôts de créosote.
- Laissez le régulateur d'air ouvert pendant 5 minutes toutes les fois que vous chargez le poêle pour qu'il retourne à sa température normale de fonctionnement. La combustion secondaire ne peut se produire que si le foyer est assez chaud.
- Vérifiez la présence de dépôts de créosote tous les deux mois et faites ramoner la cheminée au moins une fois par an.

POUR ÉVITER L'ACCUMULATION DE CRÉOSOTE

de créosote s'est produite (3 mm ou plus), elle devrait être enlevée afin de réduire les risques de feu de cheminée. Nous vous recommandons vivement d'installer un thermomètre magnétique sur le tuyau d'évacuation des fumées, à environ 46 cm (18 po) au dessus du poêle. Ce thermomètre vous indiquera la température de ces gaz devrait se situer dans la fourchette de 135 à 260 °C (entre 275 °F et 500° F). En deçà de ces températures, la formation de créosote est favorisée. Au-delà de 260 °C (500 °F), la chaleur se perd en trop grande quantité dans l'atmosphère.

Une fois le lit de braises bien établi, il est temps de remettre du bois dans votre poêle. Pour ce faire, ouvrez les régulateurs d'air au maximum pendant quelques secondes avant d'ouvrir les portes du poêle. Ouvrez très lentement la porte, en commençant par l'entrebâiller de 3 à 5 cm pendant 5 à 10 secondes, pour ensuite l'ouvrir complètement afin d'augmenter l'entrée d'air et, ainsi, évacuer verticalement la fumée qui stagnait dans le poêle en combustion lente. Par la suite, ramenez les braises vers l'avant du poêle et rechargez l'appareil. Pour tirer le maximum de votre poêle à bois, nous vous recommandons de l'utiliser en y mettant une charge de bois équivalente à la hauteur des briques réfractaires.

Il est important de prendre note que la combustion du bois consomme l'oxygène ambiant de la pièce. En cas de pression négative, il est bon de laisser entrer de l'air frais dans la pièce en ouvrant légèrement une fenêtre ou en installant un système d'admission d'air frais sur un mur extérieur.

Créosote – Formation et besoin de l'enlever – Lorsque le bois brûle lentement, il produit du goudron et d'autres vapeurs organiques qui se mêlent à l'humidité rejetée pour former de la créosote. Les vapeurs de créosote se condensent dans un conduit de cheminée relativement frais de feu à combustion lente. Ainsi, les résidus de créosote s'accumulent sur le bois. Lorsqu'il s'enflamme, la créosote provoque un feu extrêmement chaud. Le conduit de raccordement de la cheminée doit être inspecté au moins une fois tous les deux mois au cours de la saison de chauffage afin de déterminer si une accumulation de créosote s'est produite. Si une accumulation

RECHARGEMENT

- Attendez que l'appareil soit chaud et qu'il y ait un bon lit de braises avant de régler à un taux de combustion plus bas (ce qui pourrait prendre 30 minutes ou plus selon le bois utilisé)
- Utilisez de plus petits morceaux de bois pendant l'allumage et un taux de combustion élevé pour augmenter la température du poêle
- Pensez à l'environnement et ne brûlez que du bois séché
- Allumez de feux petits et intenses, au lieu de grands feux lents, lorsque possible.
- Apprenez les caractéristiques de fonctionnement de votre appareil pour obtenir une performance optimale
- Brûler du bois humide a un impact négatif sur l'efficacité de votre poêle et mène à une accélération de l'accumulation de créosote dans la cheminée

CONSEILS DE FONCTIONNEMENT POUR UNE COMBUSTION DE QUALITÉ, EFFICACE ET PROPRE

L'efficacité peut être basée sur le pouvoir calorifique inférieur (PCI) ou le pouvoir calorifique supérieur (PCS) du combustible. Le pouvoir calorifique inférieur, c'est lorsque l'eau quitte le processus de combustion sous forme de vapeur, dans le cas des poêles à bois, l'humidité dans le bois brûlé quitte le poêle sous forme de vapeur. Le pouvoir calorifique supérieur, c'est lorsque l'eau quitte le processus de combustion sous forme entièrement condensée. Dans le cas des poêles à bois, ceci voudrait dire que les gaz d'évacuation sont à la température de la pièce en quittant le système, et donc, les calculs utilisant cette valeur de chaleur tiennent compte de l'élevation de la chaleur dans la cheminée comme une perte d'énergie. Ainsi, l'efficacité calculée en utilisant le pouvoir calorifique inférieur du bois sera plus élevée que celle calculée en utilisant le pouvoir calorifique supérieur. Aux États-Unis, toutes les efficacités des poêles à bois devraient être calculées par le pouvoir calorifique supérieur. La meilleure façon d'atteindre des efficacités optimales est d'apprendre les caractéristiques de brûlage de votre appareil et du bois bien séché. Des taux de combustion plus élevés ne sont pas toujours les meilleurs taux de combustion; après qu'un bon feu est établi, un taux de combustion plus bas peut être la meilleure option pour un chauffage efficace. Un taux de combustion plus bas ralentit la sortie du flux de chaleur utilisable hors de la maison par la cheminée, et il consomme également moins de bois. La quantité visible de fumée produite peut être une méthode efficace pour déterminer comment le processus de combustion s'établit efficacement aux régimes donnés. La fumée visible est composée de combustible non brûlé et de l'humidité s'échappant de votre poêle. Apprenez comment ajuster les réglages d'air de votre unité afin de produire la plus petite quantité de fumée visible. Le bois incorrectement séché a une teneur élevée en humidité et produira un excès de fumée visible et un mauvais brûlage.

EFFICACITÉ

AVERTISSEMENTS

- Ne provoquez jamais une combustion excessive du poêle. Une combustion excessive se produit lorsque une partie du poêle commence à devenir rouge. Ajustez de nouveau le contrôle de l'admission de l'air à un réglage plus bas.
- L'installation d'un panier ou d'une grille à bûches est déconseillée dans votre poêle à bois. Le feu doit être fait directement sur la brique réfractaire.
- Ne déposez jamais de bois sur la paroi de brique réfractaire de la chambre de combustion. Tenter d'atteindre un taux de puissance calorifique dépassant les spécifications de conception du chauffage peut lui causer des dommages permanents, ainsi qu'au catalyseur de postcombustion s'il est présent.

ESSAI DE VOTRE BOIS

Lorsque le poêle est bien réchauffé, placez-y un morceau de bois fendu d'environ 13 cm (5 po) de diamètre parallèlement à la porte sur le lit de cendres rougeooyantes. Tirez sur le régulateur d'air pour le garder en position ouverte complète et refermez la porte. Si la pièce de bois s'allume en 90 secondes ou moins après l'avoir déposée dans le poêle, votre bois est suffisamment sec. Dans le cas contraire, votre bois est encore trop humide. Si le bois émet des sifflements, ou si de l'eau ou de la vapeur s'échappent de ses extrémités, il est trempé ou fraîchement coupé. Par conséquent, ne l'utilisez pas dans votre poêle. Cela pourrait entraîner l'accumulation d'importants quantités de créosote dans votre cheminée et, par le fait même, un incendie de cheminée.

TAMPER AVERTISSEMENT

Ce chauffage au bois a un taux de combustion minimum réglé à la fabrication, et qui ne peut être modifié. La modification de ce réglage ou une utilisation autre de ce chauffage au bois qui ne respecterait pas les directives du présent manuel contrevient aux réglementations fédérales.

PREMIERS FEUX

La peinture fraîche de votre poêle doit être traitée pour en préserver la qualité. Une fois la charge en combustible dûment allumée, ne faites brûler que de petits feux pendant les premières heures d'utilisation de votre poêle. N'ouvrez jamais le régulateur d'air plus que nécessaire pour obtenir une vitesse de combustion moyenne. Assurez-vous qu'il y ait une circulation d'air suffisante lorsque vous traitez la peinture du poêle. Des odeurs peuvent être senties au cours des 3 ou 4 premiers feux. N'allumez jamais votre poêle à l'extérieur. Vous ne serez pas en mesure de voir s'il surchauffe.

ALLUMAGE

Après vous être assuré que les régulateurs d'admission d'air du poêle sont complètement ouverts (tirez vers vous), la méthode descendante de préparation d'un feu est recommandée pour cet appareil. Après vous être assuré que les contrôles de prise d'air du poêle sont entièrement ouverts (complètement tirés vers vous), placez les plus grosses pièces de bois au bas en parallèle, et assez près l'une de l'autre. Les secondes pièces sont placées en une seconde couche, en travers aux premières. Une troisième couche de plus petites pièces est déposée en travers de la seconde, cette fois avec un certain espace entre elles. Ensuite, déposer une quatrième couche de bois d'allumage et de papier journal chiffonné sur le dessus de la pile. Lorsque vous aurez bon un lit de braises, nous recommandons les procédures de combustion suivantes:

Régler les premiers de l'air (Le registre à glissière se trouve au centre du poêle, sous la plaque de fond). (Ajustement du registre: Tirez sur le registre diminue la circulation de l'air)	Ajustez le registre à partir de la position entièrement fermée	Bas	6,3 mm (1/4 po)	Bas	@ 30 minutes	Toutes les minutes	Haut
		Moyen - Bas	9,5 mm (3/8 po)	Moyen - Haut	@ 30 minutes		
		Moyen - Haut	12,7 mm (1/2 po)	Haut	@ 30 minutes		
		Haut	environ 76 mm (3 po)				

MISE EN GARDE: Ne modifiez jamais le registre à glissières ou la gamme d'ajustement pour augmenter la combustion et ce, pour toute raison. Cela pourrait entraîner un endommagement à l'appareil de chauffage et annuler la garantie.

CHAUFFAGE

La combustion contrôlée est la technique de chauffage au bois la plus efficace car elle vous permet de sélectionner le type de combustion que vous voulez pour chaque situation donnée. Le bois brûle lentement lorsque le régulateur d'admission d'air du poêle à bois est ajusté pour réduire l'alimentation en oxygène de la chambre de combustion à un niveau minimum. D'un autre côté, le bois brûle rapidement si le régulateur d'air est ajusté de manière à permettre de plus grandes quantités d'oxygène dans la chambre de combustion. Reportez-vous à la première table de paramètres de l'air pour le réglage de fonctionnement de l'amortisseur. Les conditions de fonctionnement réelles peuvent varier de ceux obtenus au cours des essais selon l'espèce de bois utilisé, sa teneur en humidité, la grosseur et la densité des morceaux de bois, la longueur de la cheminée, l'altitude et la température extérieure.

UTILISATION DU POÊLE À BOIS

NE PAS BRÛLER:

1. Des ordures;
 2. Des déchets de tonte ou résidus de jardin;
 3. Des matériaux contenant du caoutchouc,
 - incluant les pneus;
 4. Matériaux contenant du plastique;
 5. Des déchets de produits du pétrole, des peintures ou diluants à peinture, ou des produits d'asphalte;
 6. Matériaux contenant de l'amiante;
 7. Débris de construction ou de démolition;
 8. Traverses de voie ferrée ou bois traité sous pression;
 9. Fumier ou restes d'animaux;
- Le brûlage de ces matériaux peut causer des émanations de fumées toxiques ou rendre le chauffage inefficace en raison de la fumée. Le bois mort tombé des arbres doit être considéré comme étant mouillé et doit donc être séché. Le bois mort peut normalement être considéré comme sec à 66%. Fendre et empiler le bois avant de l'entreposer accélère son séchage. Entrez le bois sur une surface surélevée du sol et sous un espace abrité de la pluie ou de la neige, accélérera le temps de séchage. Un bon indicateur pour savoir si le bois est prêt à brûler est de vérifier les extrémités du morceau. Si elles sont fendues de toutes parts à partir du centre, le bois devrait donc être suffisamment sec. Si votre bois grésille quand il brûle, même si la surface est sèche, il pourrait ne pas être entièrement sec et devrait être laissé à sécher plus longtemps.
- Votre appareil de chauffage a été conçu pour brûler du bois et rien d'autre. Les déchets et autres matières inflammables ne doivent pas être brûlés dans votre poêle. Vous pouvez faire brûler n'importe quel type de bois. Toutefois, certaines variétés ont un meilleur rendement énergétique que d'autres. Veuillez consulter le tableau suivant pour faire le choix le plus éclairé.

TYPE	POIDS (LB P13 SEC)	PAR CORDE	COTE D'EFFICACITÉ	SE FEND:	MILLIONS DE BTU PAR CORDE
Hickory	63	4500	1,0	Bien	31,5
Chêne blanc	48	4100	,9	Moyennement	28,6
Chêne rouge	46	3900	,8	Moyennement	27,4
Hêtre	45	3800	,7	Difficilement	26,8
Erable à sucre	44	3700	,6	Moyennement	26,2
Chêne noir	43	3700	,6	Moyennement	25,6
Frêne	42	3600	,5	Bien	25,0
Merisier	40	3400	,4	Difficilement	23,8
Erable rouge	38	3200	,3	Moyennement	22,6
Bouleau à papier	37	3100	,3	Facilement	22,1
Orme/platane	34	2900	,2	Très difficilement	20,1
Épinette rouge	29	1800	,1	Facilement	16,1

IL EST TRÈS IMPORTANT de n'utiliser que du BOIS SEC dans votre poêle à bois. Le bois doit avoir séché pendant 9 à 15 mois, de sorte que sa teneur en humidité représente tout au plus 20% du poids total de la bûche. Rappelez-vous que même si le bois a été coupé depuis plus d'un an, il n'est peut-être pas encore assez sec s'il a été mal entreposé. Dans les pires conditions, le bois pourrait même pourrir au lieu de sécher. Nous ne saurions trop insister sur ce point. En effet, la vaste majorité des problèmes liés à l'utilisation des poêles à bois trouvent leur origine dans un bois trop humide ou qui a séché dans de piètres conditions. Parmi ces problèmes, notons:

- les problèmes d'allumage,
- l'accumulation de créosote jusqu'à causer un incendie,
- la faible production d'énergie,
- les vitres noircies,
- la combustion incomplète des bûches.

Le petit bois brûlera plus rapidement. Toutes les bûches de 15 cm (6 po) de diamètre ou plus devraient donc être fendues. Le bois ne doit jamais être cordé directement sur le sol. L'air doit pouvoir circuler à travers les bûches d'une corde. Un espace libre de 60 à 120 cm (24 à 48 po) doit être laissé entre les rangées de bûches, lesquelles on placera dans un endroit bien ensoleillé. La couche de bois du dessus d'une corde doit être protégée contre les éléments. Les côtés n'ont pas besoin d'être recouverts.

Votre poêle à bois est approuvé pour une installation avec une prise d'air extérieur qui est nécessaire pour une maison mobile. Ce type d'installation est aussi requis pour les installations dans les maisons hermétiques et les maisons présentant des problèmes de pression négatives. Vous pouvez acheter cette trousse en option auprès de votre détaillant. Assurez-vous d'indiquer le numéro de référence mentionné dans cette brochure. Des directives d'installation sont fournies dans la trousse de prise d'air.

De l'air frais de combustion peut être requis si:

Installation dans une maison mobile

Votre poêle n'effectue pas un tirage uniforme, produit des retours de fumée, ne brûle pas bien le combustible ou si des retoulements d'air se produisent, qu'il y ait de la combustion ou non.

Des équipements à combustible se trouvent dans la maison (tels que foyers ou autres appareils de chauffage), en présence d'odeurs, de mauvais fonctionnements, de retours de fumée lors de l'ouverture du poêle ou de retoulements d'air, qu'il y ait de la combustion ou pas.

Ouvrez légèrement une fenêtre lors d'une journée sans vent atténué tous ces symptômes.

La maison est dotée d'une barrière à vapeur bien scellée et des fenêtres hermétiques et (ou) des dispositifs électriques qui évacuent l'air de la maison.

Une concentration excessive de condensation des fenêtres se produit en hiver.

Un système de ventilation est installé dans la maison.

- Pour une utilisation dans les maisons mobiles (installations aux états-unis uniquement):
- Avertissement ! N'installez pas l'appareil dans une chambre à coucher.
 - Mise en garde ! L'intégrité structurelle du plancher de la maison mobile, des murs et du toit doit être maintenue.
 - Installez l'appareil conformément à 24 cfr, partie 3280 (hud).
 - Utilisez une cheminée préfabriquée conforme aux normes 103; par conséquent, elle doit être d'un type ht (2100 ft).
 - Tissez un pare-étincelles.
 - Le poêle doit être fixé à la structure de la maison mobile. Utilisez les attaches de pattes pour maisons mobiles afin de fixer l'appareil au plancher.

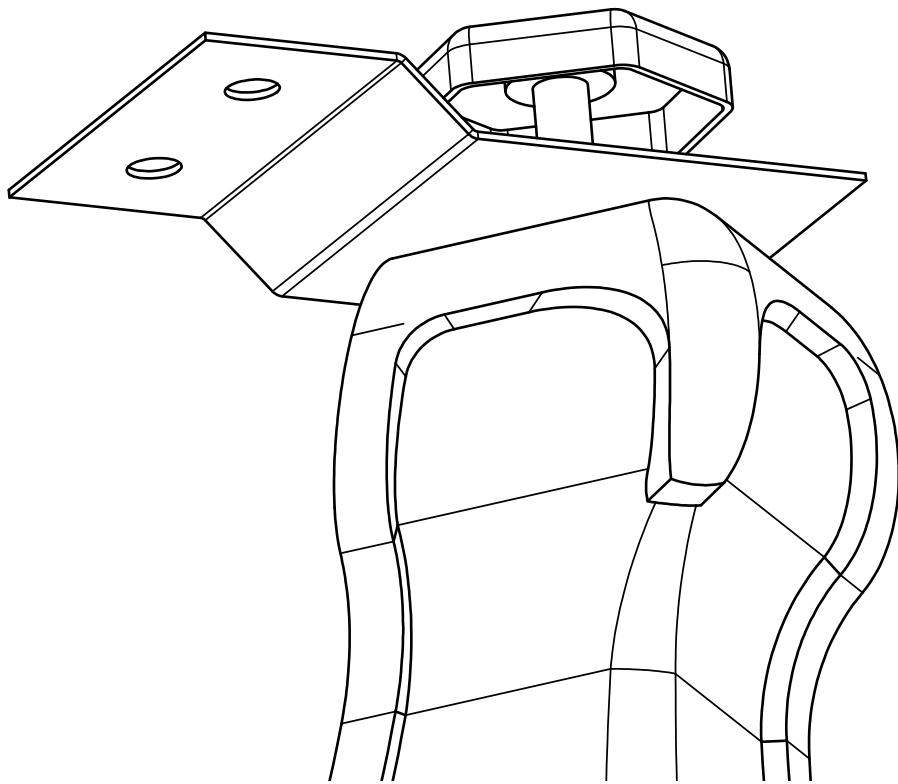
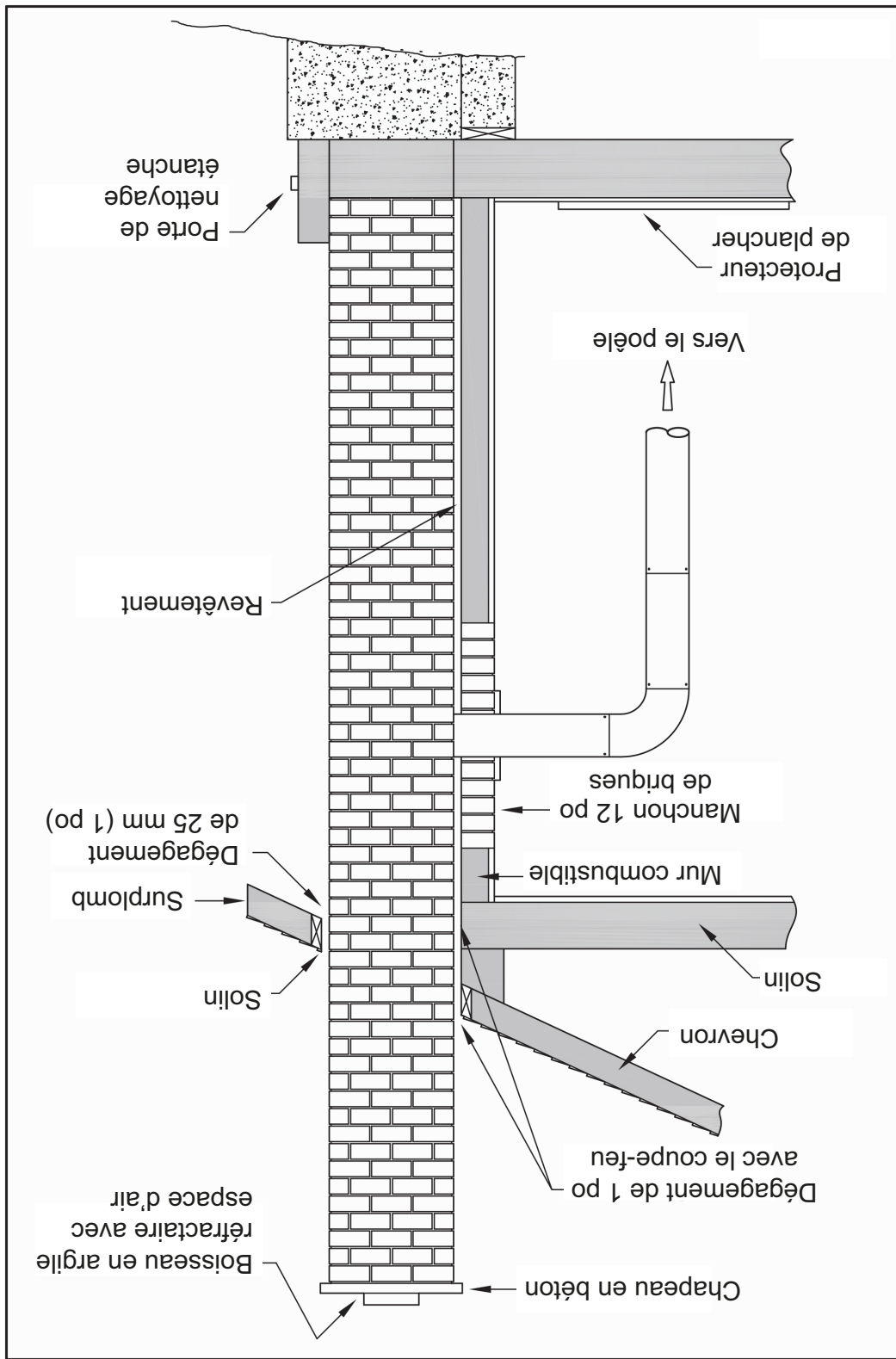
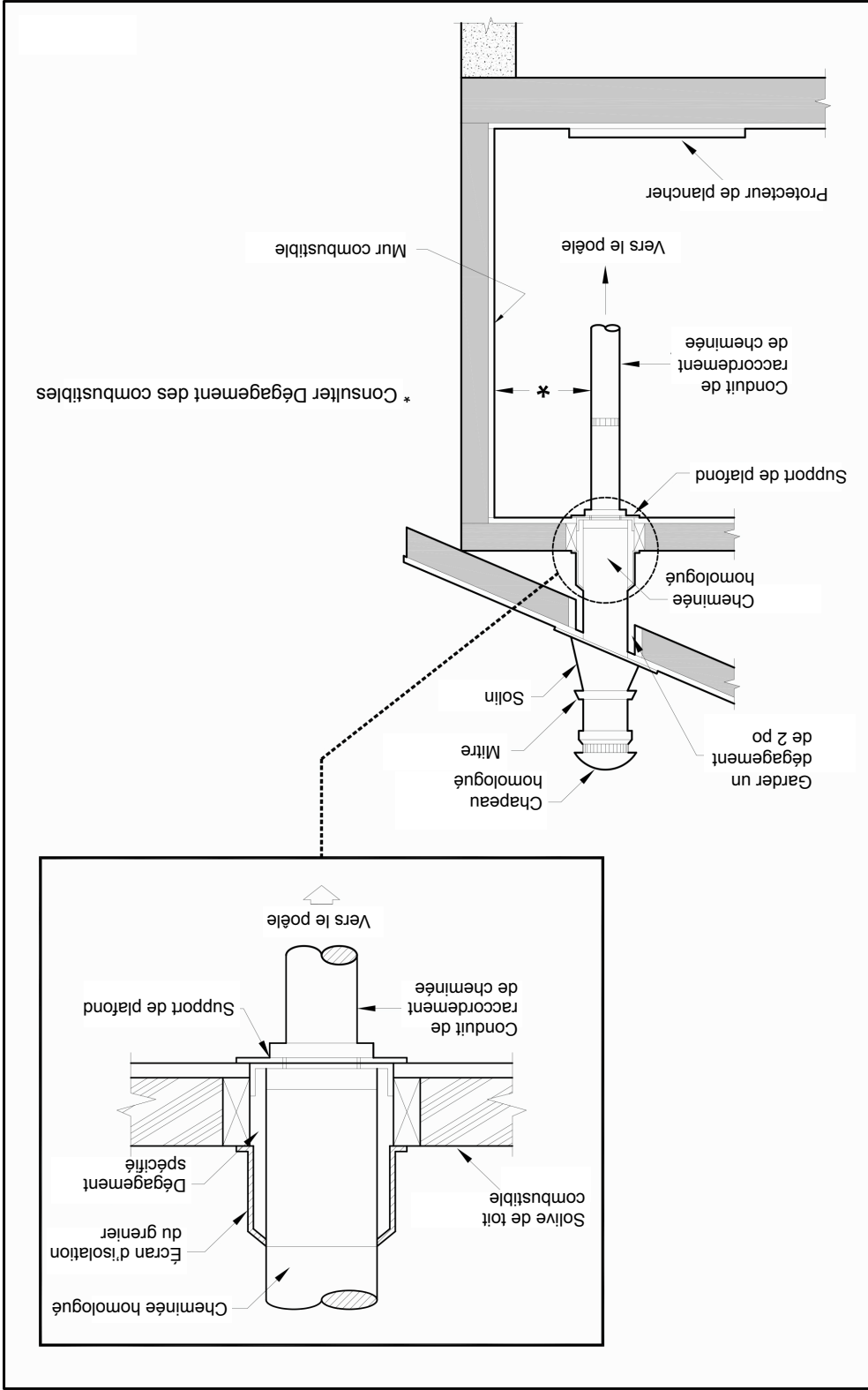


Illustration: Fixation du poêle au plancher.

Assurez-vous que la cheminée en maçonnerie respecte les normes minimales de la National Fire Protection Association (NFPA) en la faisant inspecter par un professionnel. Assurez-vous qu'il n'y a pas de fissures, de mortier lâche ou d'autres signes de détérioration et d'obstruction. Faites nettoyer la cheminée avant l'installation ou l'utilisation du poêle. Des méthodes spéciales sont requises lors du raccordement du poêle par un mur combustible à une cheminée en maçonnerie.



Les directives d'installation du fabricant doivent être observées lors de l'installation d'une cheminée préfabriquée en métal. Vous devez aussi acheter (auprès du même fabricant) et installer la trousse de fixation au plafond ou une trousse de passage dans les murs ou section en T, des coupe-feu (au besoin), des écrans d'isolation, du solin de toit, un couronnement pour la cheminée, etc. Respectez les dégagements appropriés par rapport à la structure tel que recommandé par le fabricant. La cheminée doit être à la hauteur exigée au-dessus du toit ou de toute obstruction afin d'assurer un fonctionnement sécuritaire et approprié du tirage.



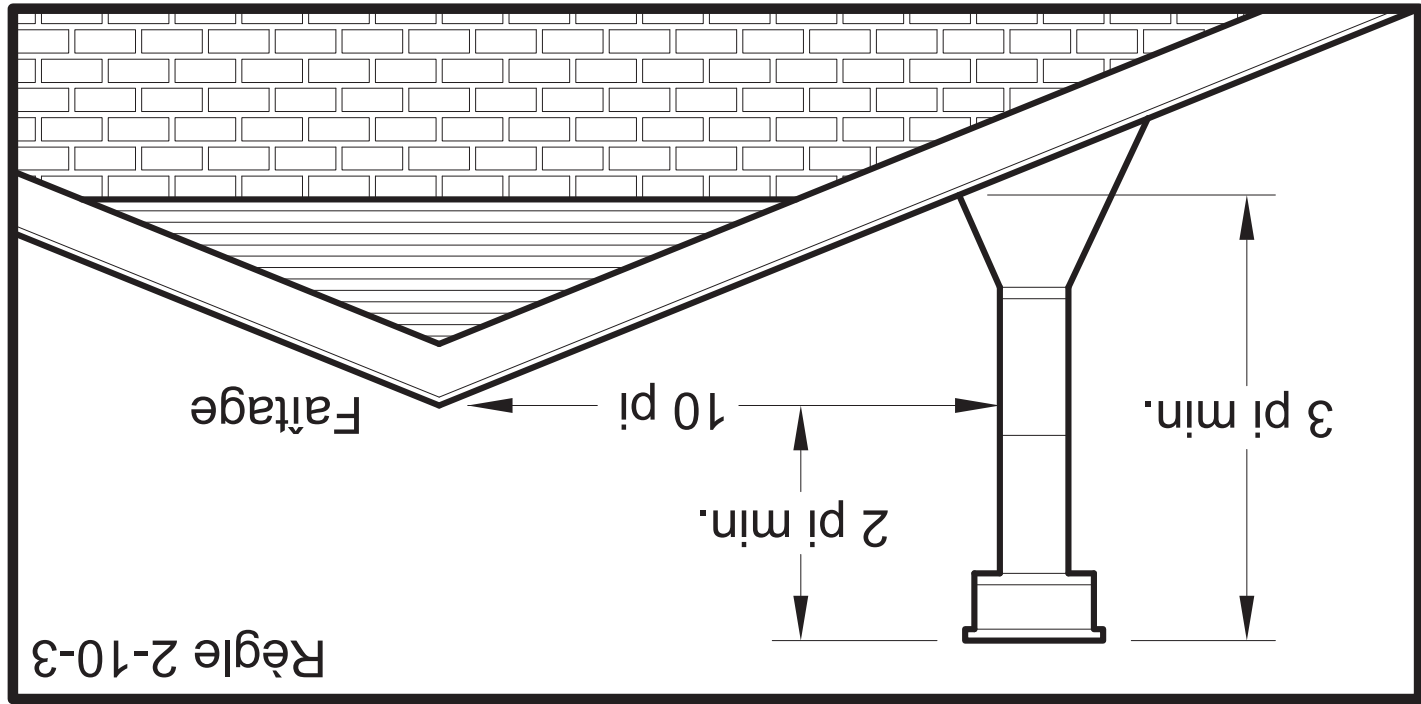
Voire poêle à bois peut être raccordé à une cheminée préfabriquée ou en maçonnerie de 6 pouces. Si vous utilisez une cheminée préfabriquée, elle doit être conforme à la norme UL 103 ou CSA-B365; par conséquent, elle doit être du type HT (2 100 °F). Il est extrêmement important qu'elle soit installée selon les spécifications du fabricant. Tenez compte de l'emplacement de la cheminée pour veiller à ce qu'elle ne soit pas trop près des voisins ou dans une vallée pouvant causer des conditions malsaines ou nuisibles.

Si vous utilisez une cheminée en maçonnerie, il est important qu'elle soit construite selon les spécifications du Code national du bâtiment. Elle doit être revêtu de briques d'argile réfractaire, de tuiles de métal ou d'argile scellées ensemble à l'aide de ciment réfractaire. (Les conduits ronds sont les plus efficaces.)

Le diamètre interne du conduit de cheminée doit être identique au conduit d'évacuation des fumées du poêle. Un conduit trop étroit peut causer des problèmes de tirage alors qu'un conduit trop large favorise le refroidissement du gaz et, ainsi, entraîne une accumulation de crésote et un risque d'incendie de cheminée. Veuillez prendre note que c'est la cheminée et non le poêle qui crée l'effet de tirage. Le rendement de votre cheminée est donc directement dépendant d'un tirage adéquat de la cheminée.

Les recommandations suivantes peuvent s'appliquer lors de l'installation de la cheminée:

1. Ne reliez pas cet appareil à un conduit de fumée utilisé pour un autre appareil.
2. Elle doit dépasser le toit d'au moins 0,9 m (3 pi) à partir du point de contact le plus élevé.
3. La cheminée doit dépasser toute partie de la bâtisse ou toute obstruction d'une distance de 3,04 m (10 pi) et d'une hauteur de 0,6 m (2 pi).
4. L'installation d'une cheminée intérieure est toujours préférable à une cheminée extérieure. De fait, par définition, une cheminée intérieure sera plus chaude qu'une cheminée extérieure puisqu'elle est réchauffée par l'air ambiant de la maison. Par conséquent, le gaz qui circule est refroidi plus lentement, réduisant ainsi l'accumulation de crésote et les risques d'incendie de cheminée.
5. Le tirage causé par la tendance de l'air chaud à monter est plus fort avec une cheminée intérieure.
6. L'utilisation d'un pare-étincelles à l'extrémité de la cheminée exige une inspection régulière afin de s'assurer qu'il n'est pas obstrué et qu'il ne bloque le tirage. Il doit être nettoyé régulièrement.



CONDUIT DE RACCORDEMENT DE CHEMINÉE (TUYAU DU POÊLE)

Le conduit de raccordement de la cheminée et la cheminée doivent avoir le même diamètre que la sortie du poêle (6 po). Si ce n'est pas le cas, nous vous recommandons de communiquer avec le détaillant afin de vous assurer qu'il n'y aura pas de problème de tirage.

Le tuyau du poêle doit être fait d'acier aluminé ou laminé à froid d'une épaisseur minimale de 0,021 po ou 0,53 mm. Il est strictement défendu d'utiliser de l'acier galvanisé.

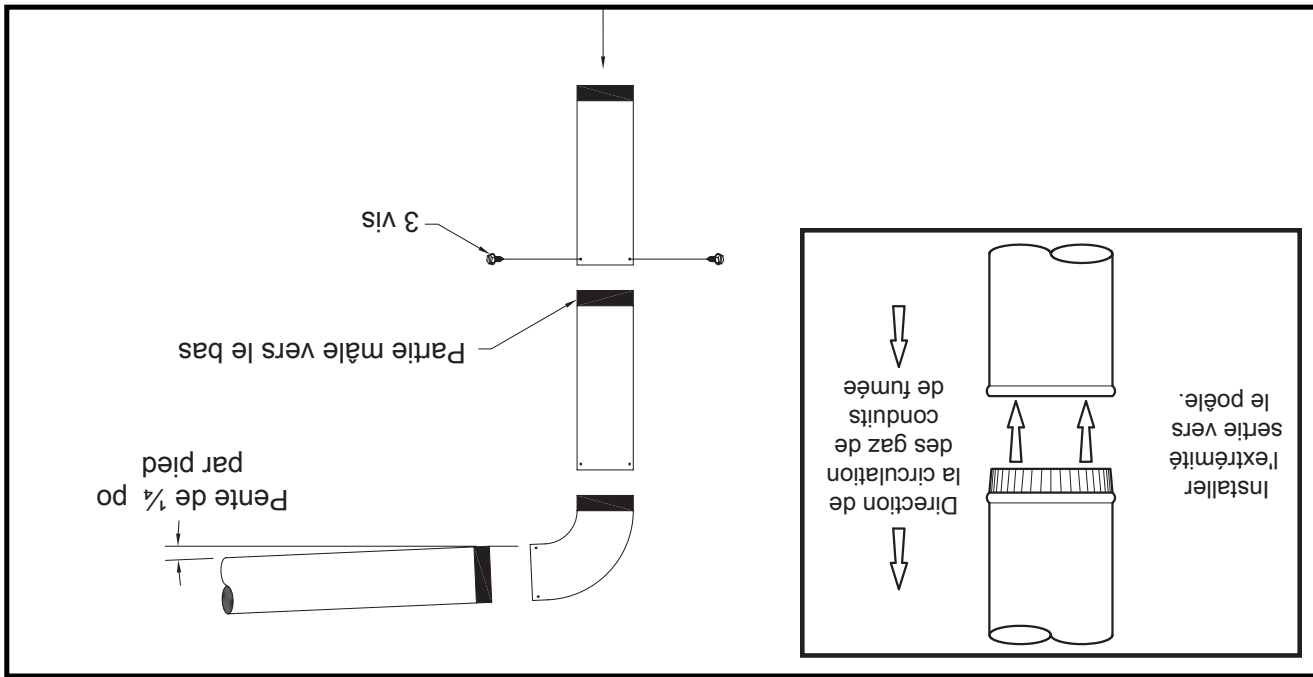
Le tuyau de fumée doit être assemblé de sorte que la section mâle (extrémité sertie) du tuyau soit orientée vers le bas. Fixez chaque section à une autre à l'aide de trois vis à métal placées à une distance égale. Le tuyau doit être court et droit. Toutes les sections installées à l'horizontale doivent avoir une pente d'au moins 1/4 po par pied et l'extrémité supérieure de la section doit être vers la cheminée. Les installations horizontales de tuyaux de cheminée doivent se conformer à la norme NFPA 211. Vous pouvez communiquer avec la NFPA (National Fire Protection Association) pour demander la plus récente version de la norme 211 de la NFPA. Pour assurer un bon tirage, la longueur totale du tuyau de raccordement ne doit jamais excéder 2,4 à 3,04 m (8 à 10 pi). (À l'exception des installations verticales, de style toit cathédrale où le système d'évacuation de la fumée peut être plus long et raccordé sans problème à la cheminée au niveau du plafond de la pièce.)

L'installation du système d'évacuation de la fumée ne doit pas comporter plus de deux coudes de 90 degrés. Il est interdit d'installer un « stabilisateur de tirage barométrique » (registre de cheminée) sur un système d'évacuation de la fumée.

De plus, il n'est pas recommandé d'installer un registre de tirage. En fait, pour un poêle à bois à combustion contrôlée, le tirage est réglé lors de l'admission de l'air de combustion dans le poêle et non au niveau de l'échappement.

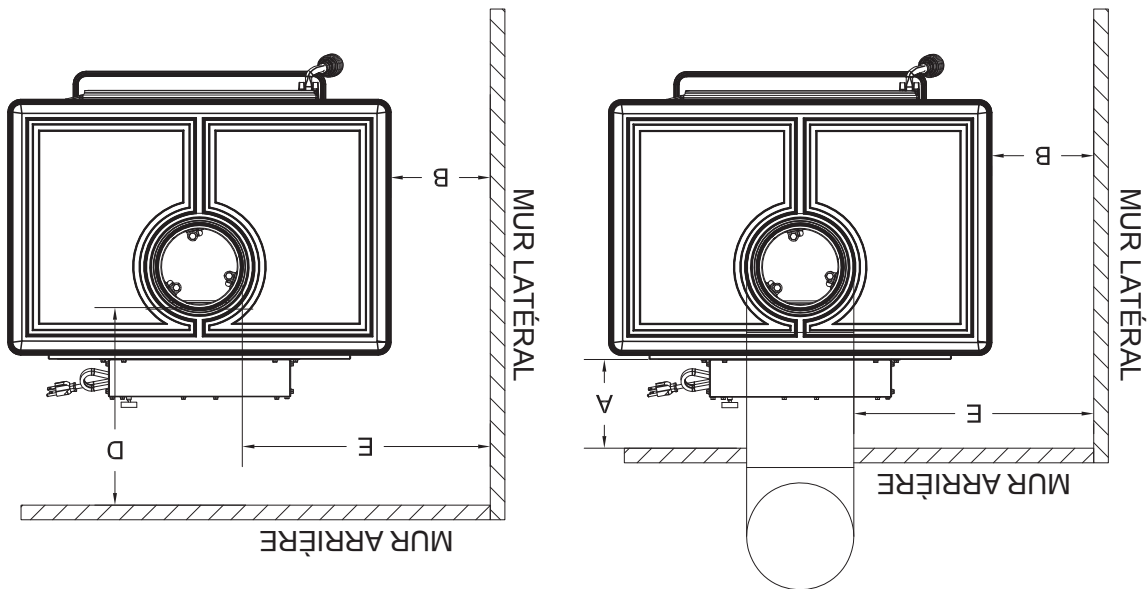
IMPORTANT D'UN TIRAGE ADEQUAT

Le tirage est une force déplaçant l'air de l'appareil vers la cheminée. La quantité de tirage dans votre cheminée dépend de la longueur de la cheminée, son emplacement géographique local, les obstructions à proximité et d'autres facteurs. Trop de tirage peut causer des températures excessives dans l'appareil et pourrait l'endommager. Un tirage inadéquat peut causer des retours de fumée dans la pièce et causer l'obturation par la cheminée. Un tirage inadéquat causera des fuites de fumée par l'appareil dans la pièce, s'infiltrant par l'appareil, et les joints du conduit de raccordement. Un brûlage incontrôlable ou une température excessive indique un tirage excessif.

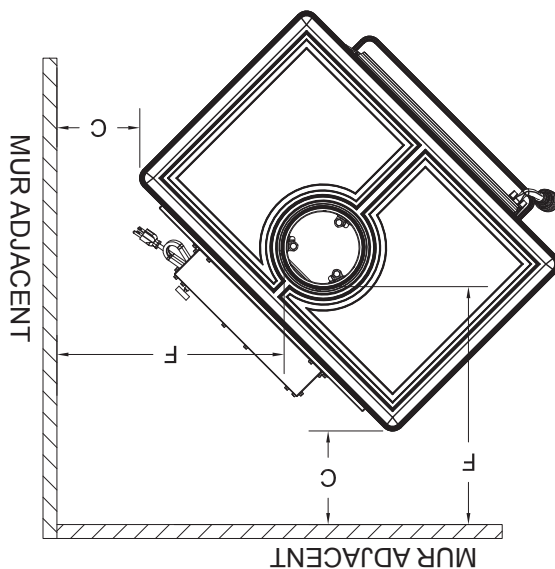


DÉGAGEMENTS PAR RAPPORT AUX MATIÈRES COMBUSTIBLES

Il est de la plus haute importance que les dégagements par rapport aux matières combustibles soient rigoureusement respectés au cours de l'installation du poêle. Consultez les tableaux ci-dessous:



Dimensions		
En mm	En pouces	
406	16	A Entre le mur arrière et le poêle
457	18	B Entre le mur adjacent et le poêle
305	12	C Entre le mur et le coin (installation en angle)
546	21,5	D Entre le mur arrière et le conduit de fumée
762	30	E Entre le mur adjacent et le conduit de fumée
610	24	F Entre le mur et le conduit de fumée (installation en angle)

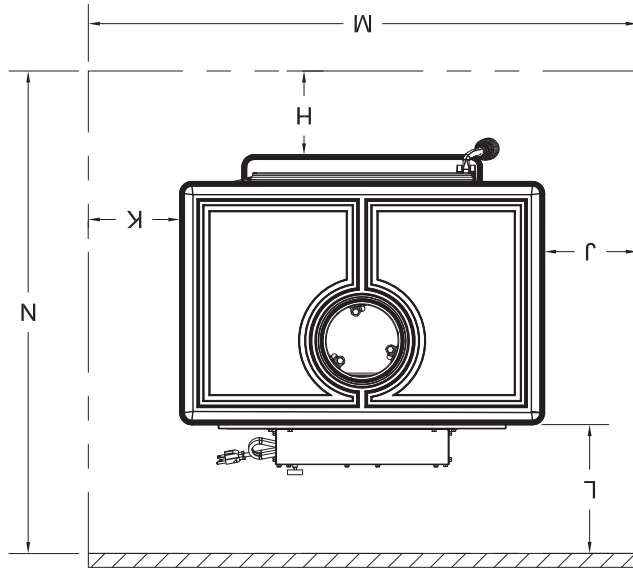


- Dans tous les cas, la hauteur (du plancher au plafond) doit être d'au moins 2,13 m (7 pi).
- Ne placez pas de matière combustible à l'intérieur de 1,2 m (4 pi) de la partie avant de l'appareil.
- Les dégagements entre le tuyau de raccordement et un mur ne sont valides que pour les murs verticaux et les tuyaux de raccordement verticaux.
- Le conduit de raccordement de la cheminée ne doit pas passer par un grenier ou un vide sous toit, un placard ou autre espace fermé similaire, un plancher et un plafond.
- Pour les installations au Canada, lorsqu'on souhaite passer un tuyau dans un mur ou une cloison de construction combustible, l'installation doit alors se conformer à CAN/CSA-B365.
- Le dégagement minimum d'un tuyau de raccordement passant par un mur combustible est de 457,2 mm (18 po).
- Communiquez avec le département local de sécurité si vous souhaitez réduire les dégagements entre les conduits de fumée et les matériaux combustibles.

PROTECTEUR DE PLANCHER

Votre poêle à bois doit être placé sur surface non combustible de 2,5 cm (1 po) ayant un facteur K de 0,84. Pour les couches multiples, additionnez les valeurs R de chaque couche afin de déterminer la valeur R globale. La valeur R pour le panneau requis est de 1,03. En présence d'une section horizontale du connecteur de cheminée, la poêle de plancher doit passer sous la section horizontale et au-delà de 5 cm (2 po) chaque côté. Pour calculer les valeurs R pour d'autres méthodes, consultez la section CALCULS POUR D'AUTRES PROTECTEURS DE PLANCHER dans ce manuel.

Le protecteur de plancher doit excéder le poêle comme suit:



Dimensions		En pouces	En mm
H*	Avant	16	635
J**	Gauche	6	153
K**	Droite	6	153
L**	Arrière	1	25
M	Largeur totale	46	1169
N	Longueur totale	53,5	1359

* Au Canada, l'installation nécessite 457 mm (18 po)
 ** Au Canada, l'installation nécessite 203mm (8 po)

Il est très important de choisir un emplacement le plus près possible de la cheminée dans une zone favorisant la meilleure distribution de chaleur possible à travers la maison. Par conséquent, le poêle doit être installé dans la pièce où les occupants de la maison passent le plus de temps et dans la pièce la plus spacieuse. Souvenez-vous que les poêles à bois produisent de la chaleur radiante, celle qu'on ressent lorsqu'on est près d'un poêle à bois. Un poêle à bois fonctionne aussi par convection, ce qui signifie par le déplacement accéléré de l'air chaud vers le haut et son remplacement de l'air froid. Au besoin, la distribution d'air chaud à partir du poêle peut être facilitée par l'installation d'une soufflante.

Le poêle à bois ne doit pas être raccordé à un système de distribution d'air chaud puisqu'une accumulation excessive de chaleur pourrait se produire.

Un poêle à bois ne doit jamais être installé dans un passage ou près d'une cage d'escalier puisqu'il peut bloquer le passage en cas d'incendie ou ne pas respecter les dégagements requis.

POSITIONNEMENT DU POÊLE

- Un incendie de maison peut résulter d'une mauvaise installation du poêle. Afin de réduire les risques d'incendie, veuillez observer les directives d'installation.
- Communiquez avec les responsables locaux de la construction ou de l'incendie au sujet des permis, des restrictions et des exigences d'installation de votre région.
- Installez un détecteur de fumée dans la pièce où se trouve le poêle.
- Gardez les meubles et les rideaux éloignés du poêle.
- N'utilisez jamais d'essence, de combustible à lanterne, de kérosène, d'essence d'allume-feu ou d'autres liquides similaires pour allumer ou raviver le feu dans cet appareil de chauffage. Gardez tous ces liquides éloignés du poêle lorsqu'il est en marche.
- Dans l'éventualité d'un incendie de cheminée, refermez complètement le contrôle d'air en le poussant afin d'empêcher l'oxygène d'alimenter l'incendie. Appelez votre service d'incendie.
- Ne connectez pas ce poêle sur des conduits ou un système de distribution d'air.
- Au besoin, fournissez une source d'air frais dans la pièce ou à un espace chauffé.

AVIS DE SÉCURITÉ

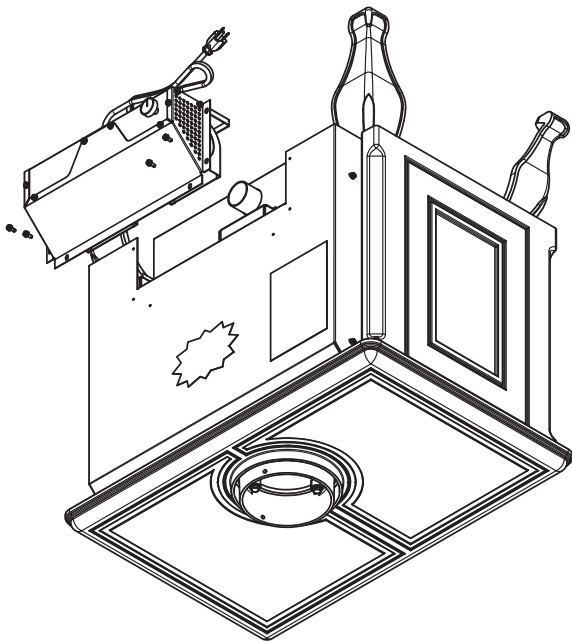
INSTALLATION

Soufflante

La soufflante doit être déconnectée de la source d'alimentation électrique avant l'installation. La soufflante est conçue pour une utilisation uniquement avec les poêles destinés à son utilisation. N'achetez pas le cordon d'alimentation près ou à travers des surfaces chaudes !

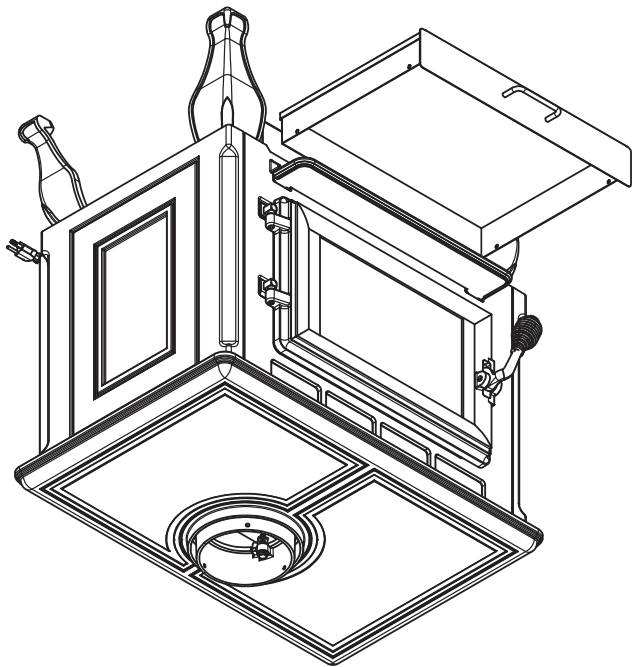
Étape 1.

Fixez la soufflante à l'arrière du poêle à l'aide des quatre boulons fournis.



Panier à braise

Retirez le panier à braise du foyer. Deux supports sont situés sous le foyer; glissez le panier à braise sur ces supports.



OUTILS ET MATÉRIAUX NÉCESSAIRES POUR L'INSTALLATION

Une perceuse avec une mèche de 1/8 po est nécessaire à la pose des vis à tôle au conduit de raccordement. Une douille/cîde de 5/16 po ou un tournevis pour installer la garniture du socle, le déflecteur d'air ambiant et le ventilateur décrit ci-dessous. Une douille/cîde de 1/2 po pour installer la buse. Un protecteur de plancher non combustible, tel que spécifié dans ce manuel. Tous les composants de cheminée et de raccordement à la cheminée requis pour votre installation spécifique de cheminée. Pour les maisons mobiles, consultez la page 13.

ASSEMBLAGE

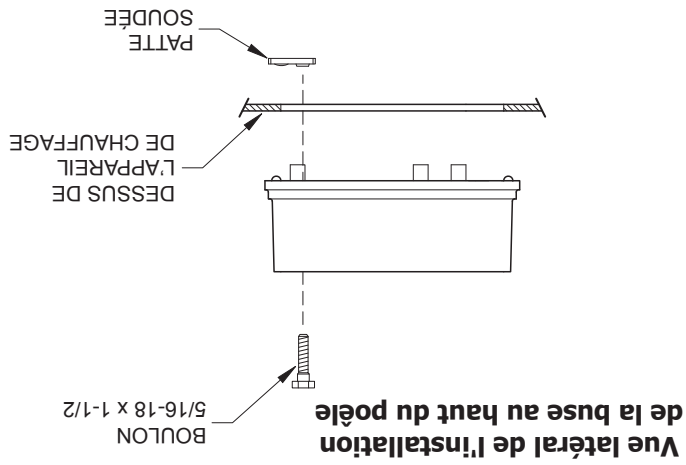
Buse:

1. Installer la buse au haut de l'appareil tel que montré en utilisant les (3) boulons 5/16-18 x 1-1/2 boulons, (3) rondelles, et (3) patte soudée fournis dans la boîte de pièces.

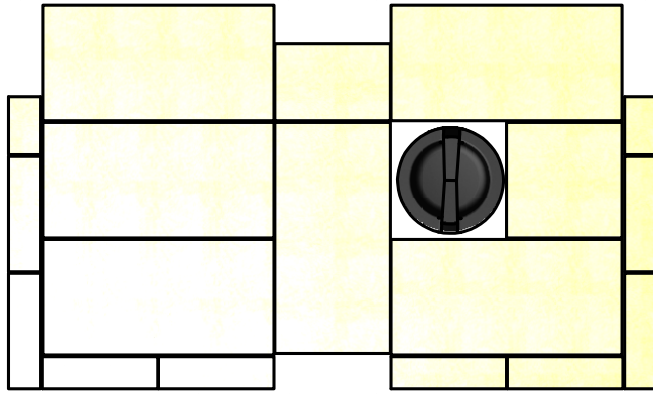
Déflecteur d'air ambiant:

1. Localiser le déflecteur d'air ambiant. À l'aide des trois (3) boulons Tek de 1/2 po fournis, installez le déflecteur sur l'unité tel que montré sur le schéma. Disposition de la brique réfractaire:

1. Remplacez la brique réfractaire tel que montré dans l'illustration ci-dessous.



Disposition des briques



FÉLICITATIONS !

Vous avez acheté un appareil de chauffage auprès du plus ancien fabricant de produits de chauffage au bois. En utilisant du bois pour le chauffage, vous contribuez à ÉCONOMISER DE L'ÉNERGIE !

Le bois est notre seule ressource d'énergie renouvelable. Veuillez faire votre part afin de préserver nos ressources en bois. Veuillez planter au moins un arbre par année. Les générations futures vous en remercieront. Les directives relatives à l'installation de votre poêle à bois sont conformes aux normes UL-1482 et ULCS-5627. Ce manuel décrit l'installation et le fonctionnement du chauffage au bois, Ashley AWC31. Ce chauffage respecte les limites d'émission 2015 de bois en caisson de la U.S. Environmental Protection Agency pour les chauffages au bois solide après le 15 mai 2015. Sous les conditions spécifiques du test, ce chauffage a démontré un taux de chauffage de 11,817 à 31,713 Btu/hr.

Remarque: Les classifications BTU mentionnées ci-haut sont basées sur les protocoles de test EPA brûlant du bois de construction de dimensions courantes de sapin Douglas. Nos BTU publiés sont basés sur la première heure de fonctionnement à un taux élevé de combustion brûlant du bois de corde.

Combustible:	Bois
Couleurs:	Noir métallisé
Diamètre du tuyau de raccordement:	152,5 mm (6 po)
Type du tuyau de raccordement: (À paroi simple ou à paroi double standard):	Acier noir ou bleu! 650 °C (2 100 °F)
Hauteur minimale de la cheminée:	3,7 m (12 pi)
Longueur maximale des bûches:	533,5 mm (21 po)
Dimensions	
Hors tout:	559 mm x 762 mm x 794 mm (22 po x 30 po x 31,25 po)
Profondeur x largeur x hauteur:	
Chambre de combustion: Largeur x profondeur:	578 mm x 305 mm (22 3/4 po x 12 po)
Volume: Pieds cubes:	.0527 m³ (1,86 pi³)
Ouverture de porte: Largeur x hauteur:	406,5mm x 203mm (16 po x 8 po)
Porte en verre pyrocéramique: (Vue) Largeur x hauteur:	351 mm x 213 mm (13 13/16 po x 8 3/8 po)

ACCESSOIRES EN OPTION	
DESCRIPTION	
Trousse d'admission d'air extérieur	50FAK

MISES EN GARDE:

- Chaud lors du fonctionnement. Gardez les enfants, les vêtements et les meubles éloignés de l'appareil. Un contact peut causer des brûlures à la peau.
- N'utilisez pas de produits chimiques ou de fluides pour allumer le feu.
- Ne laissez jamais le poêle sans surveillance lorsque la porte est ouverte, même légèrement.
- Ne brûlez pas de déchets ou de fluides inflammables tels l'essence, le naphtha ou l'huile à moteur.
- Ne connectez pas ce poêle sur des conduits ou un système de distribution d'air.
- Refermez toujours la porte après l'allumage.

Remarque: Enregistrez votre produit en ligne à www.usstove.com, section «Garantie limitée» pour obtenir des informations de garantie spécifique pour votre nouvel achat. Voir. Conservez votre reçu avec vos dossiers pour toute réclamation.



Manuel d'instruction et d'utilisation du propriétaire

MODÈLE: AWC31

CONFORME À LA NORME UL 1482 ET CERTIFIÉ À LA NORME ULC S627

POÊLE À BOIS CERTIFIÉ ENVIRONMENTAL PROTECTION AGENCY (É.-U.) PHASE II

INSTALLATION APPROUVÉE PAR L'ÉTAT DE WASHINGTON

INSTALLATION APPROUVÉE DANS LES MAISONS MOBILES (É.-U. SEUL.)

AGENCE DE PROTECTION DE L'ENVIRONNEMENT DES ÉTATS-UNIS
Certifié pour se conformer aux normes 2015 sur les émissions de particules.

AVIS DE SÉCURITÉ:
La mauvaise installation de votre appareil de chauffage pourrait provoquer un incendie. Pour votre sécurité, veuillez suivre les directives d'installation. Ne faites jamais de compromis au cours de l'installation de cet appareil de chauffage. Communiquez avec les responsables locaux de la construction ou de l'incendie au sujet des permis, des restrictions et des exigences d'installation de votre région.

MISE EN GARDE !
Veuillez lire ce manuel en entier avant d'installer ou d'utiliser votre nouvel appareil de chauffage individuel. La non-observance des directives peut entraîner des dommages, des blessures et même la mort. Une mauvaise installation peut annuler la garantie !

CONSERVEZ CES INSTRUCTIONS.
CE MANUEL VOUS AIDERA À OBTENIR UN SERVICE EFFICACE ET FIABLE DE L'APPAREIL DE CHAUFFAGE ET VOUS PERMETTRA DE COMMANDER CORRECTEMENT DES PIÈCES DE RECHANGE. VEUILLEZ CONSERVER CE MANUEL DANS UN ENDROIT SÛR À DES FINS DE RÉFÉRENCE.

English version is available for download from the U. S. Stove website: <http://www.usstove.com/>
La version anglaise est disponible pour téléchargement à partir du site U. S. Stove: <http://www.usstove.com/>

United States Stove Co.
227 Industrial Park Road P.O. Box 151
South Pittsburg, TN 37380
(800) 750-2723 • www.usstove.com

